

Suomen



**IMURIKESKUS**

**Eurovac 53 Barrel Vacuum-Cleaners**

*Operation Instructions*



Suomen Imurikeskus Oy  
Valtatie 23 1141  
29630 Pomarkku  
FINLAND

Tel. +358 (0)2 576 700  
[www.suomenimurikeskus.fi](http://www.suomenimurikeskus.fi)  
[eurovac@suomenimurikeskus.fi](mailto:eurovac@suomenimurikeskus.fi)

Krnro 346.703  
ALV rek.  
Y-tunnus / VAT FI0590849

*This document includes all information you need for proper use of the device. Please, read this document carefully before using the device. Store this document in interior.*

*Contents of this document can be changed without notification for making changes and improvements.*

Suomen Imurikeskus Oy  
Valtatie 23 1141  
29630 Pomarkku  
FINLAND

Tel. +358 (0)2 576 700  
[www.suomenimurikeskus.fi](http://www.suomenimurikeskus.fi)  
[eurovac@suomenimurikeskus.fi](mailto:eurovac@suomenimurikeskus.fi)

Knrro 346.703  
ALV rek.  
Y-tunnus / VAT FI0590849

## Table of Contents

1. Introduction.....	4
1.1 General features.....	4
1.1.1 Recognicing parts, basic model .....	4
1.1.2 Recognicing parts, model with forklift mounts and crank .....	5
1.1.3 Recognicing parts, model with forklift mounts .....	5
1.2 Common safety terms .....	6
2. Initialization.....	6
2.1 Use.....	6
3. Maintenance operations .....	6
3.1 Emptying the container.....	7
3.2 Filter maintenance .....	7
3.3 Vacuum accessories maintenance .....	7
3.4 Regular spare parts.....	8
4. Troubleshooting.....	8
6. Using cyclone separator .....	8
7. Warranty.....	10
8. Conformity of standards.....	11

## 1. Introduction

Congratulations! You have purchased yourself a high quality industrial vacuum cleaner. We hope it will serve you long, and that's why we ask you to use and maintenance device correctly.

In this document we tell Eurovac 53 Barrel vacuum cleaner's use- and maintenance demands. We ask you to read this document carefully before using the device, to make sure of functionality and safety in use of your industrial vacuum cleaner. This guide applies to all electric powered Eurovac 53 Barrel industrial vacuum cleaners, if not stated otherwise. This guide doesn't apply for pneumatic and turbine powered Eurovac 53 Barrel vacuum cleaners.

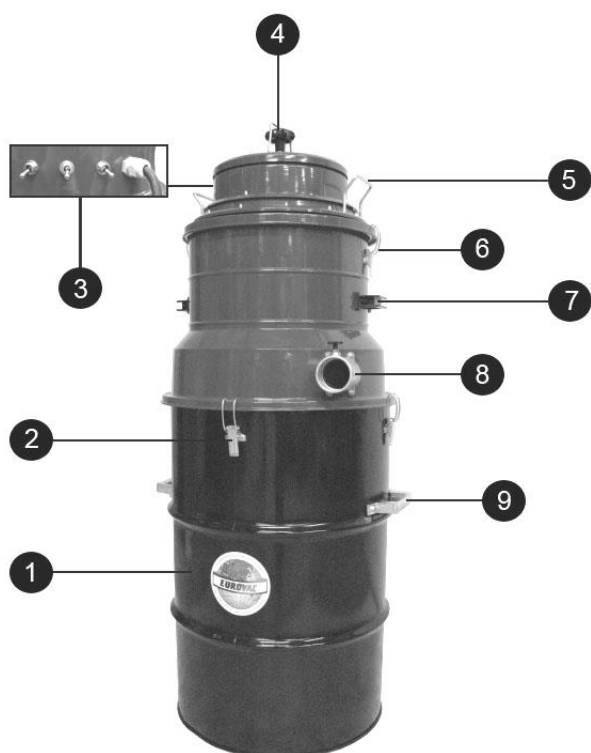
After receiving the device, check that device hasn't damaged in shipment, and all accessories are present. In case there is something missing, we ask you to inform seller immediately or at least in next 8 days.

### 1.1 General features

Eurovac 53 Barrel vacuum cleaners suit vacuuming dry and wet trash. If vacuuming dust is very fine, or otherwise problematic, it is possible to use cyclone separator lid or cyclone separator barrel to prevent vacuum from going stuck, or to protect vacuum cleaner of hot/glowing material.

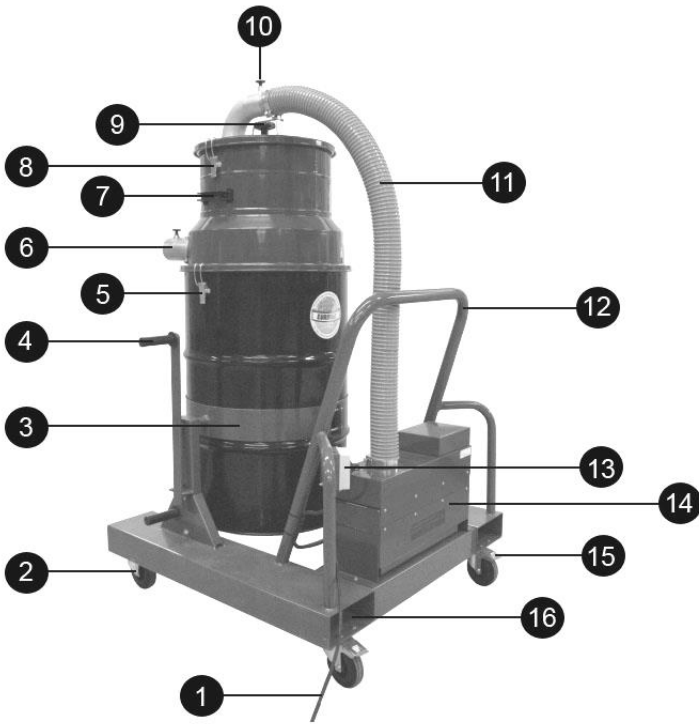
**NOTICE!** Device can be used to vacuum hot/glowing material only with cyclone separator. Using cyclone separator is explained better later in section 6.

#### 1.1.1 Recognizing parts, basic model



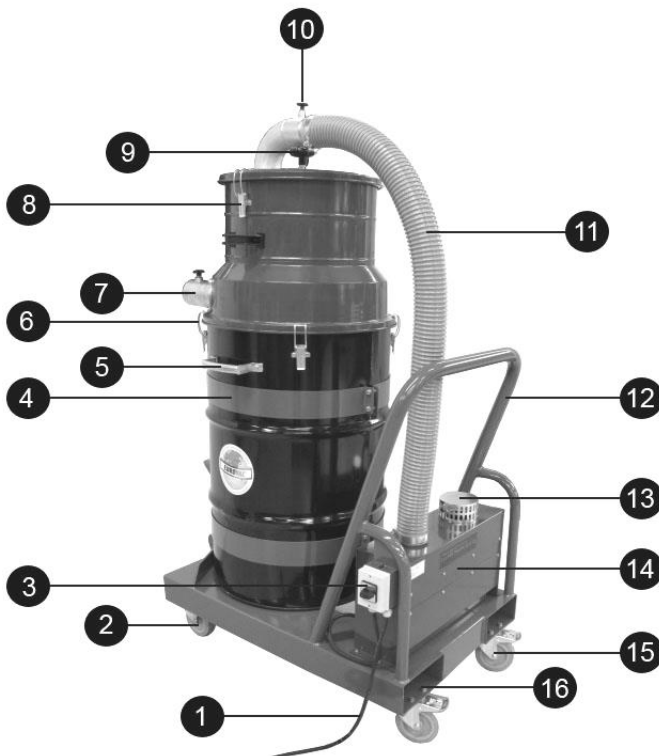
1. Barrel
2. Barrel's lock hatch
3. Power switches
4. Filter's shaking rod
5. Electric unit
6. Filter unit's lock hatch
7. Filter unit's handle
8. Vacuum tube connector
9. Barrel's lift handle

### 1.1.2 Recognizing parts, model with forklift mounts and crank



1. Electric cable
2. Wheel
3. Barrel
4. Barrel's tipping tumbler
5. Barrel's lock hatch
6. Vacuum tube connector
7. Filter unit's handle
8. Filter unit's lock hatch
9. Filter's shaking rod
10. Tube locker
11. Tube
12. Pulling beam
13. Electric switch
14. Electric unit
15. Turning wheel with locking
16. Forklift mounts

### 1.1.3 Recognizing parts, model with forklift mounts



1. Electric wire
2. Wheel
3. Electric switch
4. Barrel
5. Barrel's handle
6. Barrel's hatch
7. Vacuum tube connector
8. Filter unit's hatch
9. Filter's shaking rod
10. Tube locker
11. Tube
12. Pulling beam
13. Output air
14. Electric unit
15. Turning wheel with locking
16. Forklift mounts

## 1.2 Common safety terms

Please pay attention to following security instructions while using Eurovac 53 Barrel vacuum cleaner:

- Don't use vacuum-cleaner in places, which might have easily flammable gases or substances.
- Don't use vacuum cleaner to vacuum burning liquids, exploding substances or hot ash. (Vacuuming hot ash is possible when using external cyclone separator).
- Before maintenance, remove plug from power outlet.
- During vacuuming, be careful, that vacuum tube doesn't get close to sensitive areas of skin (eyes, mouth, ears).
- Don't vacuum in rain or under splashing water.

## 2. Initialization

Before using CHECK, that:

- Input voltage is 240V and power plug is safe grounded.
- Power outlet, electric wire and electric plug are intact.
- Check, that filter is in place and intact. Also check, that filter's shaking rod is locked to bottom, with clamp situated in upper deck of the vacuum cleaner.

### 2.1 Use

While vacuuming wet trashes, or fluids, check often enough, that trash container doesn't overflow, to protect vacuum motors. When starting the vacuum cleaner, switch motors on individually from separate switches.

**NOTICE!** Device must be stored in dry and preferably warm room.

**NOTICE!** While vacuuming hot ash, always use cyclone separator.

**HUOM!** Device's noise level is 84 dB(A). Use proper hearing protection while using the device.

Remember to check regularly, that vacuum cleaner's container isn't overflowing.

## 3. Maintenance operations

Following chapters explain maintenance operations, which should be done time by time to maximize device's working life. If vacuum capability drops, shake from filter cleaning shaking rod. It is recommended to check filter's condition when emptying the container.

**NOTICE!** Never user broken filter!

**NOTICE!** Always remove plug from power outlet before maintenance.

### 3.1 Emptying the container

Remember to check time by time, that trash container hasn't overflowed. Eurovac 53 Barrel cleaner's container is emptying by following ways depending on model.

Before emptying open vacuum unit's clamps from barrel, after which filter unit can be removed from top of barrel for time of emptying.

**NOTICE!** Before removing the barrel always turn of the vacuum cleaner.

**NOTICE!** While vacuuming wet trashes, or fluids, check often enough, that trash container doesn't overflow, to protect vacuum motors.

After you've emptied the container, set container barrel back and filter unit back to its place and fasten locking hatches between filter and motor unit.

Models with forklift mounting can be lifted with forklift, and depending on model either tip or empty by pulling barrel new to skip as shown in pictures.



### 3.2 Filter maintenance

Filter is commonly cleaned by shaking from filter cleaning shaking rod. If filter is very dirty it can be cleaned by brushing, with pneumatic air or by washing (40 deg.) water. When filter is clean, vacuum motors last longer. Cleaning vacuum cleaner frost dust and dirt lengthens its lifetime remarkably.

**NOTICE!** Don't ever insert dirty filter to vacuum cleaner after washing!

**NOTICE!** Check always before use, that filter is set correctly.

**NOTICE!** Device is equipped with compensation air valve, which gives cooling air to motors when vacuum tube is stuck. Valve is set to right position in factory, don't alter valve's state.



### 3.3 Vacuum accessories maintenance

Also cleaning kits with brushed need maintenance. Brushes can be cleaned by vacuuming with slot nozzle.

### 3.4 Regular spare parts

Code	Description	Details
013070	Star filter 53 Tetratex	
015039	Vacuum motor's carbon	
034033	Switch 53	

## 4. Troubleshooting

Device won't start

- Check, that switch/switches are in position "1".
- Check, that wire is in power outlet (safe grounded, 240V)
- Check fuses 16 A

Output air consist dust or dirt

- Filter might be broken
- Filter isn't installed correctly

Vacuum cleaner makes weird noise

- Motor's brushes are worn out
- Bearings are worn out

Weak suction capability

- Check filter's cleanliness and shape
- Vacuum tube might be stuck
- All motors aren't engaged.

Fuse blows

- Check, that fuse holds up
- Take contact to manufacturer or professional maintenance service

In problem situations be in contact with seller or manufacturer.

## 6. Using cyclone separator

Barrel vacuum cleaner can be equipped with external 200 l container, which is equipped with cyclone separator lid, when vacuum cleaner works with cyclone separator principle

While using cyclone separator, most of the dust remains in cyclone separator. For cyclone to work correctly, it is necessary to check cyclone barrel state to prevent overfilling. This prevents dust and dirt getting to actual vacuum cleaner. It is recommended to empty the cyclone container when it's about half full.



**NOTICE!** It isn't recommended to vacuum glowing, burning and especially hot and flammable materials mixed. For example ash and dust simultaneously.



While vacuuming hot ash, vacuuming must be completed periodically. First vacuum ash for 3 seconds, then vacuum cool compensation air for 5 seconds.

**NOTICE! Follow fire safety specifications.**

**NOTICE! Note tube order from picture above.**

## 7. Warranty

Suomen Imurikeskus Oy gives twelve (12) warranty for following issues. Warranty contains manufacturing and material flaws. Warranty might avoid if vacuum cleaner is modified, changes owner or repaired non authorized service.

### WARRANTY TERMS

1. Warranty begins when vacuum cleaner is released to customer
2. Changing parts in warranty doesn't lengthen warranty.
3. Following parts aren't in warranty:
  - Consumable parts like brushes, engine brushes, bearings, filter etc.
  - If device is used again user guide and warranty terms.
  - Warranty doesn't include user caused flaws.
  - transport-, install-, service-, etc. costs
  - wrong use, transport damages or other user caused flaws
  - Wrong use or install flaws.

## 8. Conformity of standards

In device delivery, common agreement terms are used. If device doesn't work as it is supposed to work, be in contact with device seller or manufacturer.

Manufacturer: Suomen Imurikeskus Oy

Valtatie 23 1141

29630 Pomarkku

FINLAND

Tel. 02 5767 00

[www.suomenimurikeskus.fi](http://www.suomenimurikeskus.fi)

Affirmation of Conformity

**WE**

Suomen Imurikeskus Oy

Valtatie 23 1141

29630 Pomarkku

Assure you, that

Eurovac 53 Barrel vacuum cleaner

Is designed and manufactured under demands of following specifications:

Machine directive 89/392/EEC      EN 292-1, EN 292-2

Low voltage directive 73/23/EEC      EN 60 335-1