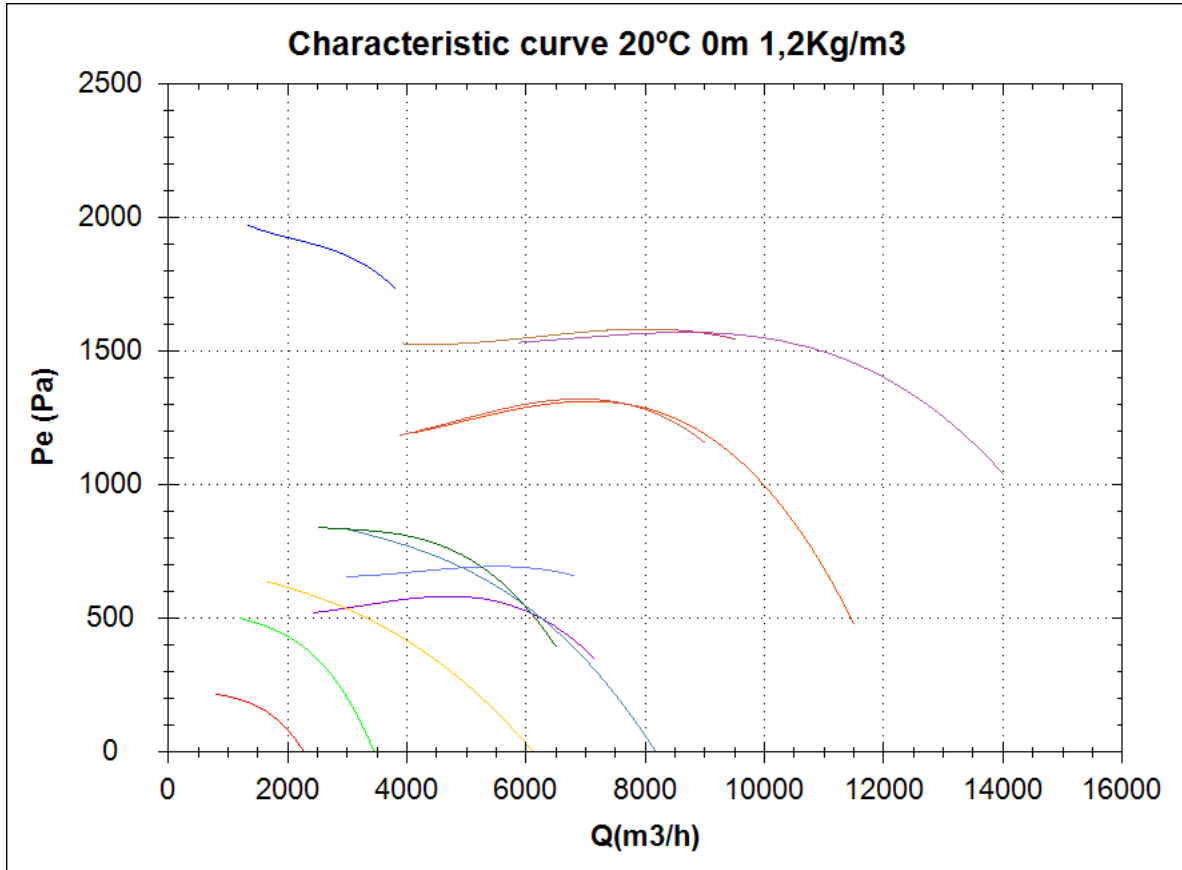
















# Comparative

**Design point**

|          |  |
|----------|--|
| Q (m3/h) |  |
| Ps(Pa)   |  |



|   |    | Model               | Q(m3/h) | P (Pa) |
|---|----|---------------------|---------|--------|
|  | 1  | MBX 28/11 T2 4kW    |         |        |
|  | 2  | MBX 28/11 T4 2,2kW  |         |        |
|  | 3  | MBX 28/11 T6 0,75kW |         |        |
|  | 4  | MBX 31/12 T4 3kW    |         |        |
|  | 5  | MBX 31/12 T4 4kW    |         |        |
|  | 6  | MBX 35/14 T4 3kW    |         |        |
|  | 7  | MBX 35/14 T4 5,5kW  |         |        |
|  | 8  | MBX 40/16 T4 5,5kW  |         |        |
|  | 9  | MBX 40/16 T4 7,5kW  |         |        |
|  | 10 | MBX 40/16 T6 2,2kW  |         |        |
|  | 11 | MBX 45/18 T4 5,5kW  |         |        |
|  | 12 | MBX 45/18 T4 7,5kW  |         |        |
|  | 13 | MBX 45/18 T4 11kW   |         |        |
|  | 14 | MBX 45/18 T6 2,2kW  |         |        |

# MBX 28/11 T2 4kW

## Series general data MBX



### MANUFACTURING FEATURES

- Rolling steel sheet housing.
  - Completely joined or welded housing.
  - Single inlet forward curved impeller made of aluminium sheet.
  - Epoxy powder finishing coat.
  - Inlet sparkproof ring made of copper or aluminium.
  - Standard asynchronous squirrel-cage motor with IP-55 protection and Class F insulation. ATEX certified EEx-d.
- Manufactured with standard voltages: 230V 50Hz in single phase motors and 230/400V 50Hz in three phase motors up to 4kW, and 400/690V 50Hz for higher powers.

### APPLICATIONS

- Designed for inline installation, they are suitable for:
- General ventilation in closed environments classified as ATEX zone 2 or 22.
  - Maximum air working temperature from -20°C to 80°C.

### UNDER REQUEST

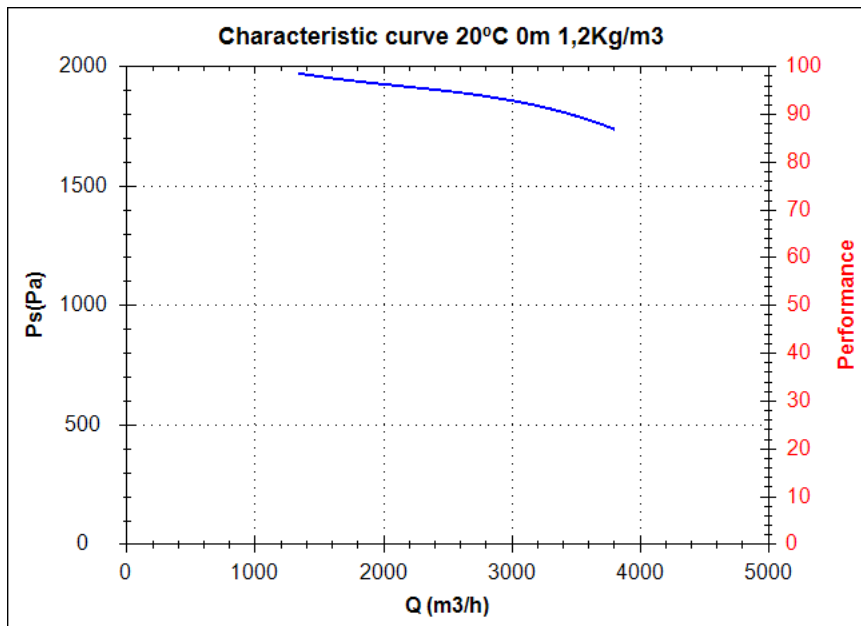
- 60Hz fans and special voltages.
- Special ATEX executions.

In compliance with the 94/9/CE Directive. ATEX II2G built. Certified II3G with certified ATEX EEx-d II2G motor for areas 2 (gas) or 22 (dust).

## Series accessories MBX



## Characteristic curve



### Design point

|          |  |
|----------|--|
| Q (m3/h) |  |
| Ps(Pa)   |  |

### Service point

|                |  |
|----------------|--|
| Impeller rpm   |  |
| Max. temp.(°C) |  |
| Q (m3/h)       |  |
| Ps(Pa)         |  |
| Pd(Pa)         |  |
| Pt(Pa)         |  |
| Air speed(m/s) |  |

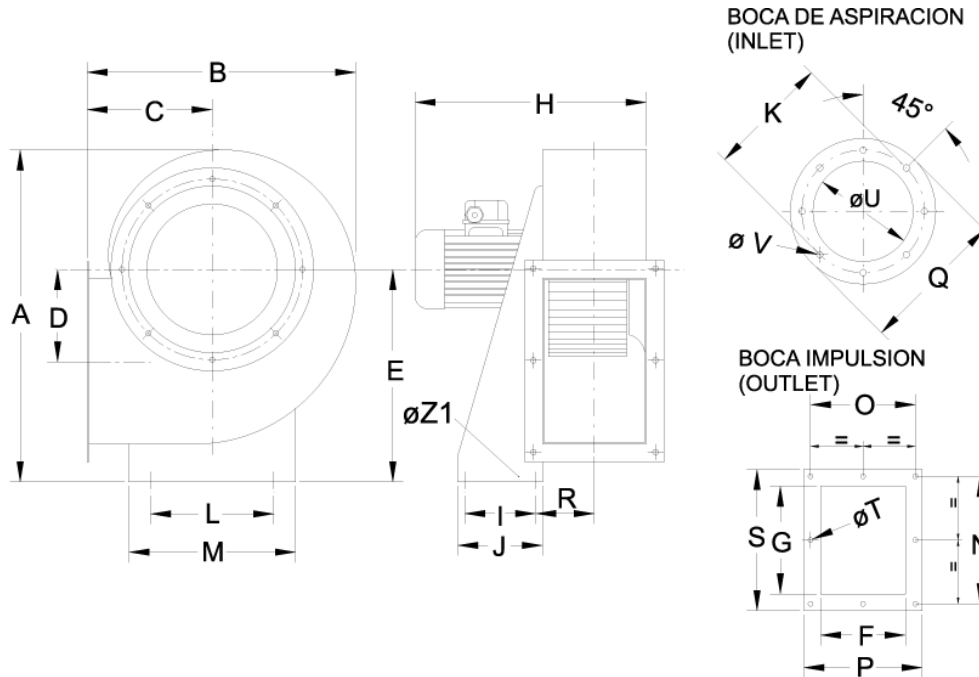
## Technical data

|                         |      |
|-------------------------|------|
| Impeller rpm            | 2890 |
| Motor rpm               | 2890 |
| Approx. weight(kg)      | 46   |
| Maximum flow rate(m3/h) | 3800 |

|              |      |
|--------------|------|
| Power(kW)    | 4    |
| Imax 230V(A) | 14,2 |
| Imax 400V(A) | 8,2  |
| Imax 690V(A) | -    |

# MBX 28/11 T2 4kW

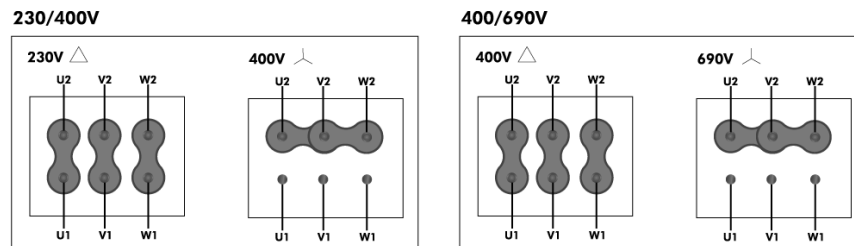
## dimensions diagram



### Dimensions (mm)

|       |       |       |       |       |       |       |                    |                      |                    |                      |       |
|-------|-------|-------|-------|-------|-------|-------|--------------------|----------------------|--------------------|----------------------|-------|
| A=553 | B=471 | C=216 | D=152 | E=340 | F=180 | G=300 | H=515              | I=95                 | J=144              | K=320                | L=245 |
| M=348 | N=340 | O=220 | P=244 | Q=348 | R=120 | S=364 | T $\varnothing$ =9 | U $\varnothing$ =228 | V $\varnothing$ =9 | Z1 $\varnothing$ =13 |       |

## Wiring diagram



# MBX 28/11 T4 2,2kW

## Series general data MBX



### MANUFACTURING FEATURES

- Rolling steel sheet housing.
  - Completely joined or welded housing.
  - Single inlet forward curved impeller made of aluminium sheet.
  - Epoxy powder finishing coat.
  - Inlet sparkproof ring made of copper or aluminium.
  - Standard asynchronous squirrel-cage motor with IP-55 protection and Class F insulation. ATEX certified EEx-d.
- Manufactured with standard voltages: 230V 50Hz in single phase motors and 230/400V 50Hz in three phase motors up to 4kW, and 400/690V 50Hz for higher powers.

### APPLICATIONS

- Designed for inline installation, they are suitable for:
- General ventilation in closed environments classified as ATEX zone 2 or 22.
  - Maximum air working temperature from -20°C to 80°C.

### UNDER REQUEST

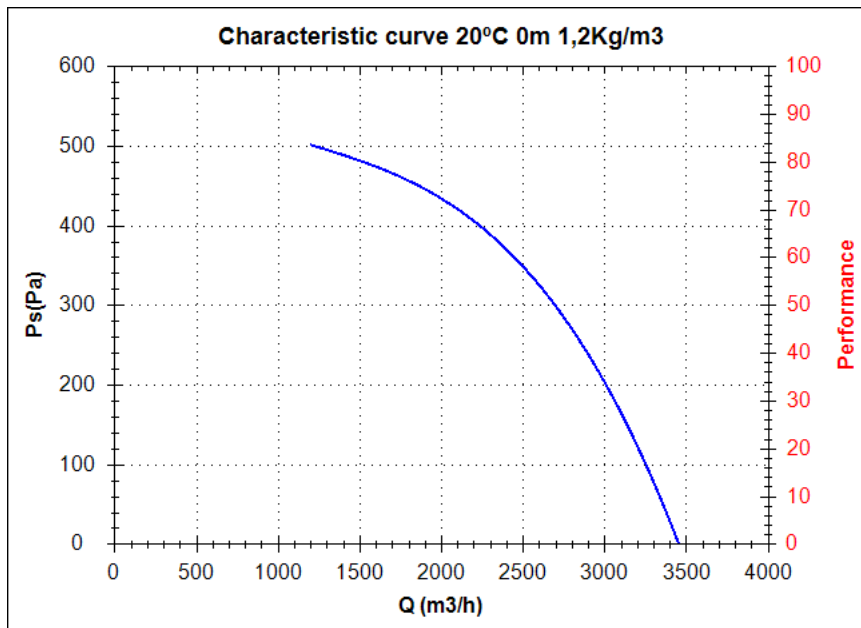
- 60Hz fans and special voltages.
- Special ATEX executions.

In compliance with the 94/9/CE Directive. ATEX II2G built. Certified II3G with certified ATEX EEx-d II2G motor for areas 2 (gas) or 22 (dust).

## Series accessories MBX



## Characteristic curve



### Design point

|                       |  |
|-----------------------|--|
| Q (m <sup>3</sup> /h) |  |
| Ps(Pa)                |  |

### Service point

|                       |  |
|-----------------------|--|
| Impeller rpm          |  |
| Max. temp.(°C)        |  |
| Q (m <sup>3</sup> /h) |  |
| Ps(Pa)                |  |
| Pd(Pa)                |  |
| Pt(Pa)                |  |
| Air speed(m/s)        |  |

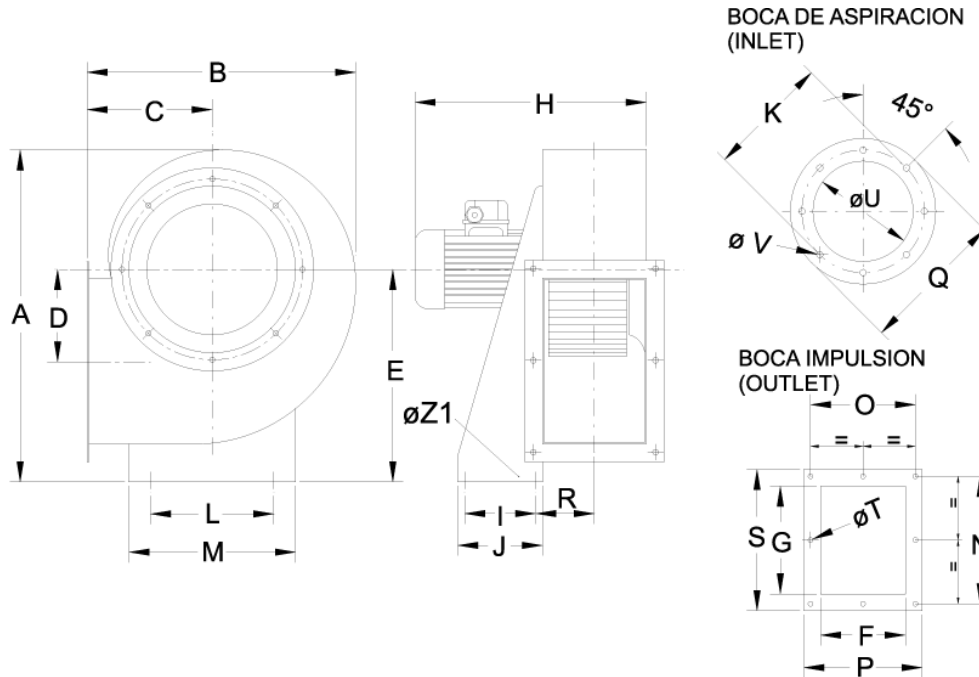
## Technical data

|                                      |      |
|--------------------------------------|------|
| Impeller rpm                         | 1400 |
| Motor rpm                            | 1400 |
| Approx. weight(kg)                   | 44   |
| Maximum flow rate(m <sup>3</sup> /h) | 3485 |

|              |      |
|--------------|------|
| Power(kW)    | 2,2  |
| Imax 230V(A) | 8,06 |
| Imax 400V(A) | 5    |
| Imax 690V(A) | -    |

# MBX 28/11 T4 2,2kW

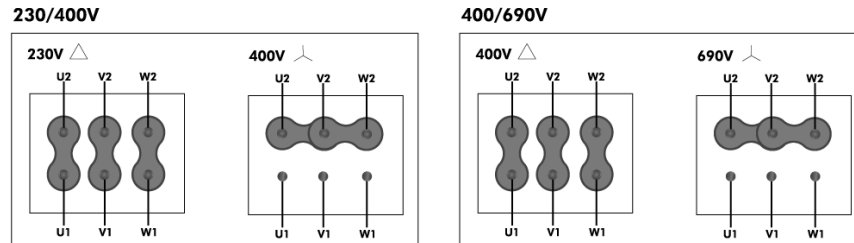
## dimensions diagram



### Dimensions (mm)

|       |       |       |       |       |       |       |                    |                      |                    |                      |       |
|-------|-------|-------|-------|-------|-------|-------|--------------------|----------------------|--------------------|----------------------|-------|
| A=553 | B=471 | C=216 | D=152 | E=340 | F=180 | G=300 | H=515              | I=95                 | J=144              | K=320                | L=245 |
| M=348 | N=340 | O=220 | P=244 | Q=348 | R=120 | S=364 | T $\varnothing$ =9 | U $\varnothing$ =228 | V $\varnothing$ =9 | Z1 $\varnothing$ =13 |       |

## Wiring diagram



# MBX 28/11 T6 0,75kW

## Series general data MBX



### MANUFACTURING FEATURES

- Rolling steel sheet housing.
  - Completely joined or welded housing.
  - Single inlet forward curved impeller made of aluminium sheet.
  - Epoxy powder finishing coat.
  - Inlet sparkproof ring made of copper or aluminium.
  - Standard asynchronous squirrel-cage motor with IP-55 protection and Class F insulation. ATEX certified EEx-d.
- Manufactured with standard voltages: 230V 50Hz in single phase motors and 230/400V 50Hz in three phase motors up to 4kW, and 400/690V 50Hz for higher powers.

### APPLICATIONS

- Designed for inline installation, they are suitable for:
- General ventilation in closed environments classified as ATEX zone 2 or 22.
  - Maximum air working temperature from -20°C to 80°C.

### UNDER REQUEST

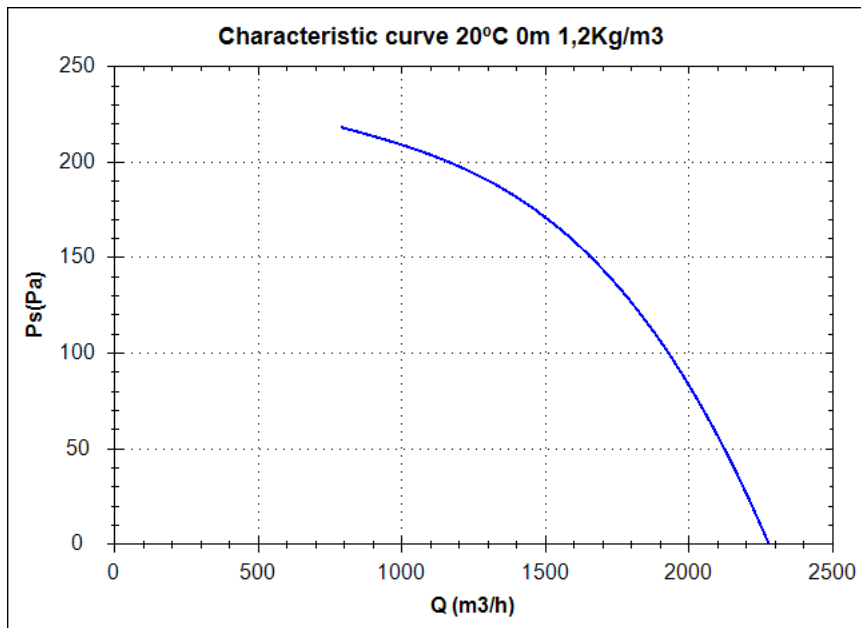
- 60Hz fans and special voltages.
- Special ATEX executions.

In compliance with the 94/9/CE Directive. ATEX II2G built. Certified II3G with certified ATEX EEx-d II2G motor for areas 2 (gas) or 22 (dust).

## Series accessories MBX



## Characteristic curve



### Design point

|                       |  |
|-----------------------|--|
| Q (m <sup>3</sup> /h) |  |
| Ps(Pa)                |  |

### Service point

|                       |  |
|-----------------------|--|
| Impeller rpm          |  |
| Max. temp.(°C)        |  |
| Q (m <sup>3</sup> /h) |  |
| Ps(Pa)                |  |
| Pd(Pa)                |  |
| Pt(Pa)                |  |
| Air speed(m/s)        |  |

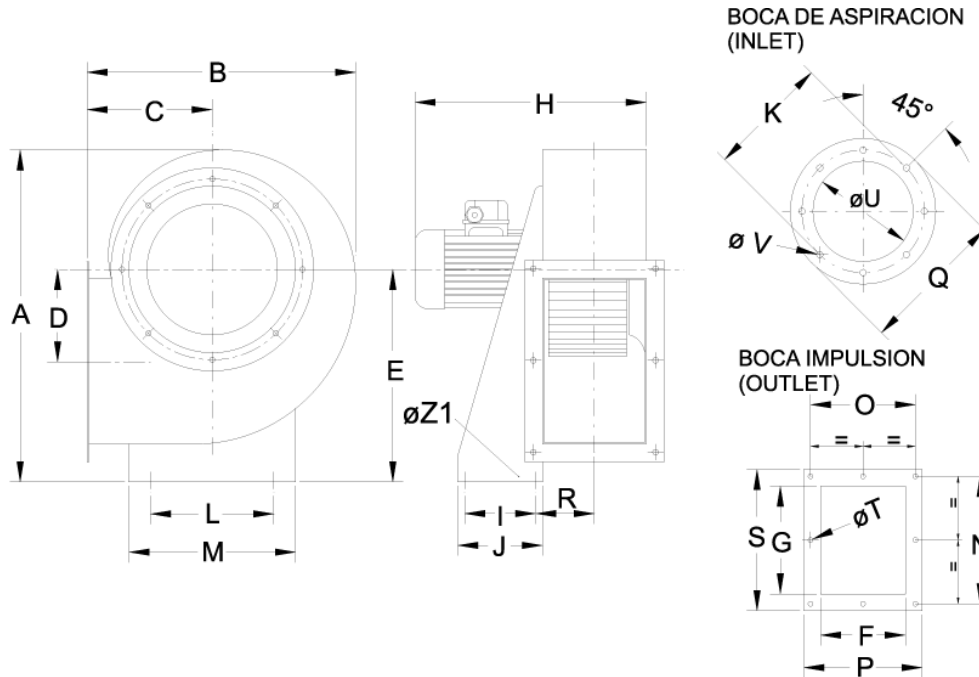
## Technical data

|                                      |      |
|--------------------------------------|------|
| Impeller rpm                         | 910  |
| Motor rpm                            | 910  |
| Approx. weight(kg)                   | 37   |
| Maximum flow rate(m <sup>3</sup> /h) | 2300 |

|              |      |
|--------------|------|
| Power(kW)    | 0,75 |
| Imax 230V(A) | 4    |
| Imax 400V(A) | 2,3  |
| Imax 690V(A) | -    |

# MBX 28/11 T6 0,75kW

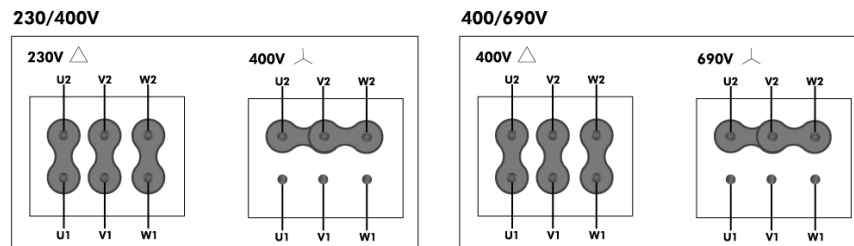
## dimensions diagram



### Dimensions (mm)

|       |       |       |       |       |       |       |                    |                      |                    |                      |       |
|-------|-------|-------|-------|-------|-------|-------|--------------------|----------------------|--------------------|----------------------|-------|
| A=553 | B=471 | C=216 | D=152 | E=340 | F=180 | G=300 | H=515              | I=95                 | J=144              | K=320                | L=245 |
| M=348 | N=340 | O=220 | P=244 | Q=348 | R=120 | S=364 | T $\varnothing$ =9 | U $\varnothing$ =228 | V $\varnothing$ =9 | Z1 $\varnothing$ =13 |       |

## Wiring diagram



# MBX 31/12 T4 3kW

## Series general data MBX



### MANUFACTURING FEATURES

- Rolling steel sheet housing.
  - Completely joined or welded housing.
  - Single inlet forward curved impeller made of aluminium sheet.
  - Epoxy powder finishing coat.
  - Inlet sparkproof ring made of copper or aluminium.
  - Standard asynchronous squirrel-cage motor with IP-55 protection and Class F insulation. ATEX certified EEx-d.
- Manufactured with standard voltages: 230V 50Hz in single phase motors and 230/400V 50Hz in three phase motors up to 4kW, and 400/690V 50Hz for higher powers.

### APPLICATIONS

- Designed for inline installation, they are suitable for:
- General ventilation in closed environments classified as ATEX zone 2 or 22.
  - Maximum air working temperature from -20°C to 80°C.

### UNDER REQUEST

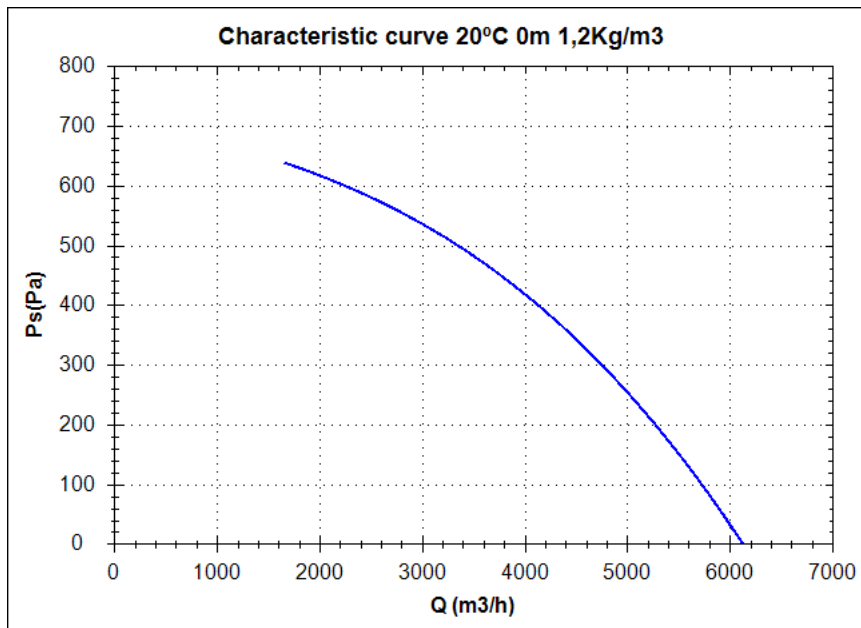
- 60Hz fans and special voltages.
- Special ATEX executions.

In compliance with the 94/9/CE Directive. ATEX II2G built. Certified II3G with certified ATEX EEx-d II2G motor for areas 2 (gas) or 22 (dust).

## Series accessories MBX



## Characteristic curve



### Design point

|                       |  |
|-----------------------|--|
| Q (m <sup>3</sup> /h) |  |
| Ps(Pa)                |  |

### Service point

|                       |  |
|-----------------------|--|
| Impeller rpm          |  |
| Max. temp.(°C)        |  |
| Q (m <sup>3</sup> /h) |  |
| Ps(Pa)                |  |
| Pd(Pa)                |  |
| Pt(Pa)                |  |
| Air speed(m/s)        |  |

## Technical data

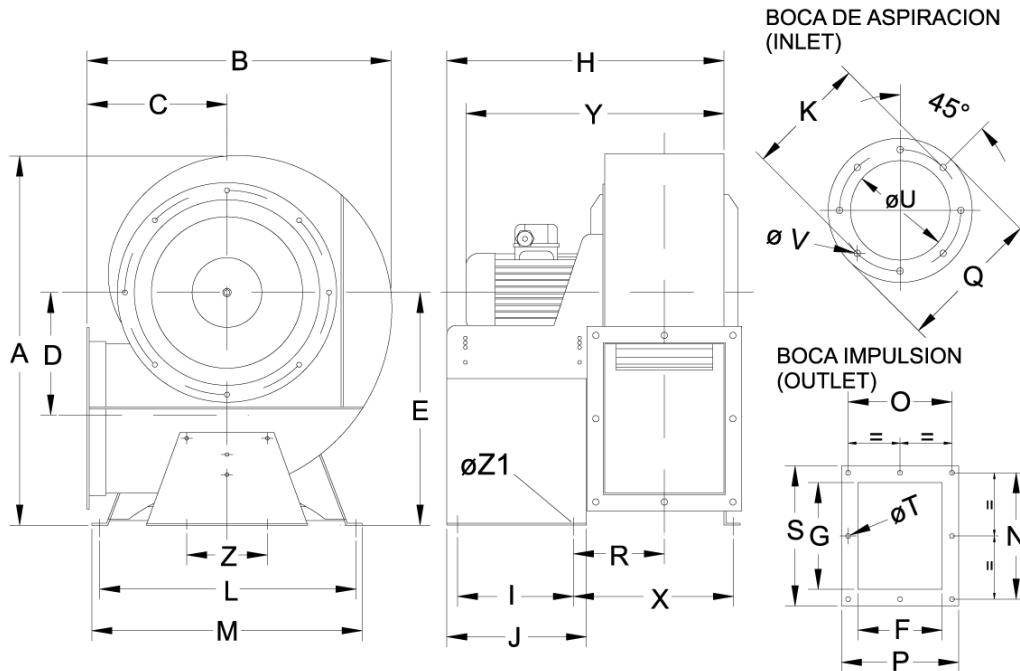
|                                      |      |
|--------------------------------------|------|
| Impeller rpm                         | 1430 |
| Motor rpm                            | 1430 |
| Approx. weight(kg)                   | 57   |
| Maximum flow rate(m <sup>3</sup> /h) | 6150 |

|              |      |
|--------------|------|
| Power(kW)    | 3    |
| Imax 230V(A) | 11,7 |
| Imax 400V(A) | 6,8  |
| Imax 690V(A) | -    |



# MBX 31/12 T4 3kW

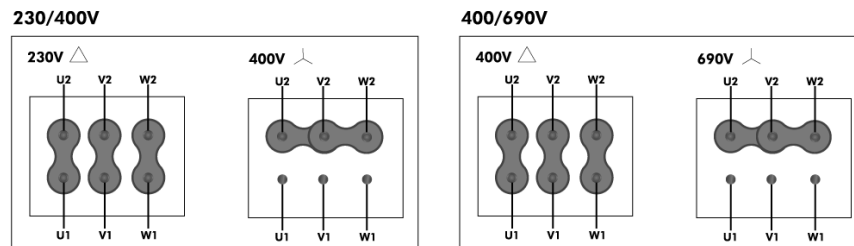
## dimensions diagram



### Dimensions (mm)

|       |       |       |       |       |       |       |                     |                      |                     |       |       |
|-------|-------|-------|-------|-------|-------|-------|---------------------|----------------------|---------------------|-------|-------|
| A=644 | B=528 | C=246 | D=182 | E=406 | F=198 | G=319 | H=538               | I=240                | J=290               | K=355 | L=457 |
| M=482 | N=360 | O=240 | P=274 | Q=382 | R=171 | S=395 | T $\varnothing$ =11 | U $\varnothing$ =257 | V $\varnothing$ =11 | Y=538 | Z1=13 |

## Wiring diagram



# MBX 31/12 T4 4kW

## Series general data MBX



### MANUFACTURING FEATURES

- Rolling steel sheet housing.
  - Completely joined or welded housing.
  - Single inlet forward curved impeller made of aluminium sheet.
  - Epoxy powder finishing coat.
  - Inlet sparkproof ring made of copper or aluminium.
  - Standard asynchronous squirrel-cage motor with IP-55 protection and Class F insulation. ATEX certified EEx-d.
- Manufactured with standard voltages: 230V 50Hz in single phase motors and 230/400V 50Hz in three phase motors up to 4kW, and 400/690V 50Hz for higher powers.

### APPLICATIONS

- Designed for inline installation, they are suitable for:
- General ventilation in closed environments classified as ATEX zone 2 or 22.
  - Maximum air working temperature from -20°C to 80°C.

### UNDER REQUEST

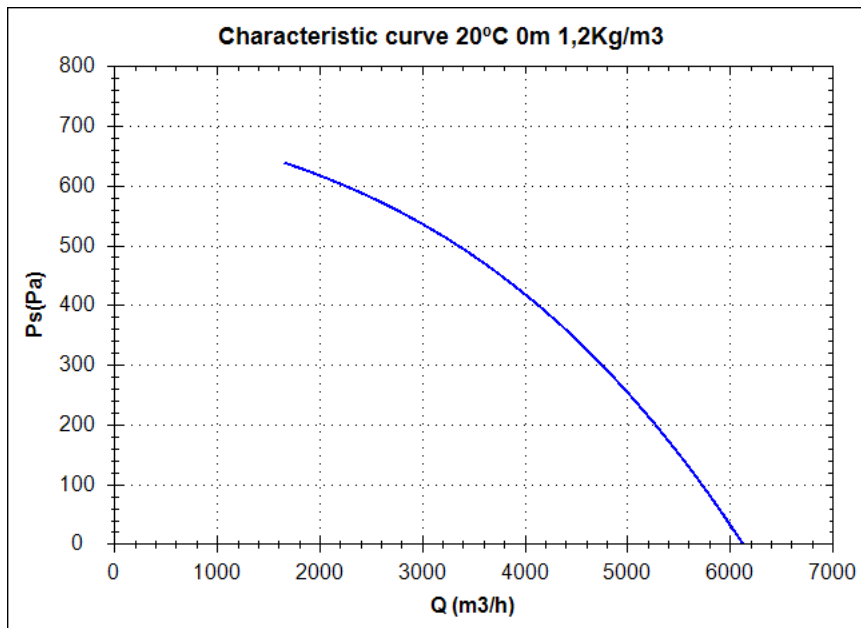
- 60Hz fans and special voltages.
- Special ATEX executions.

In compliance with the 94/9/CE Directive. ATEX II2G built. Certified II3G with certified ATEX EEx-d II2G motor for areas 2 (gas) or 22 (dust).

## Series accessories MBX



## Characteristic curve



### Design point

|                       |  |
|-----------------------|--|
| Q (m <sup>3</sup> /h) |  |
| Ps(Pa)                |  |

### Service point

|                       |  |
|-----------------------|--|
| Impeller rpm          |  |
| Max. temp.(°C)        |  |
| Q (m <sup>3</sup> /h) |  |
| Ps(Pa)                |  |
| Pd(Pa)                |  |
| Pt(Pa)                |  |
| Air speed(m/s)        |  |

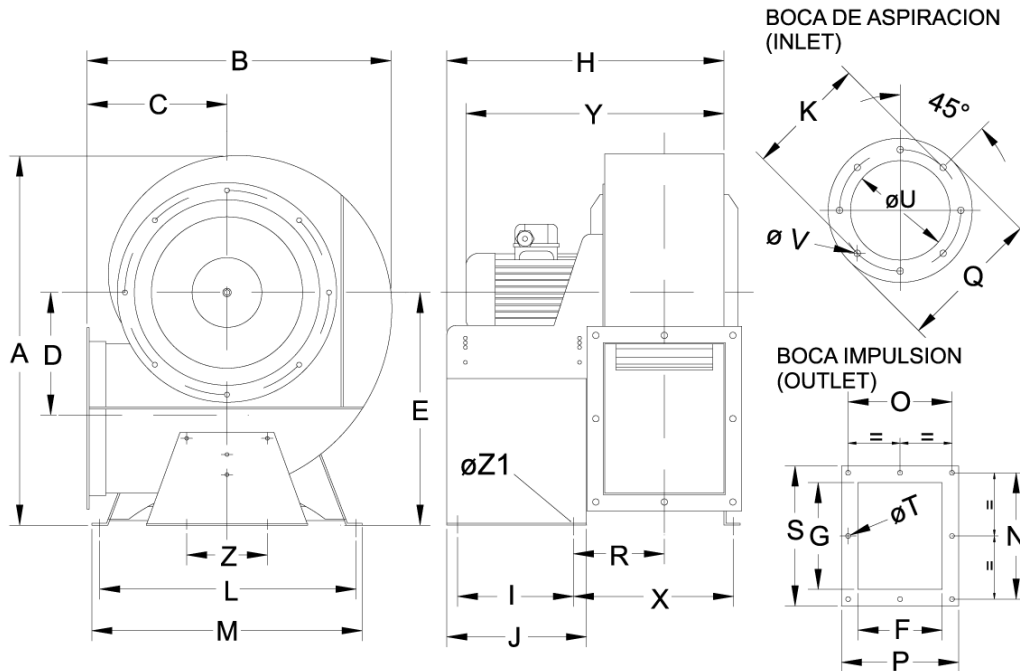
## Technical data

|                                      |      |
|--------------------------------------|------|
| Impeller rpm                         | 1440 |
| Motor rpm                            | 1440 |
| Approx. weight(kg)                   | 59   |
| Maximum flow rate(m <sup>3</sup> /h) | 6150 |

|              |      |
|--------------|------|
| Power(kW)    | 4    |
| Imax 230V(A) | 15,2 |
| Imax 400V(A) | 8,8  |
| Imax 690V(A) | -    |

# MBX 31/12 T4 4kW

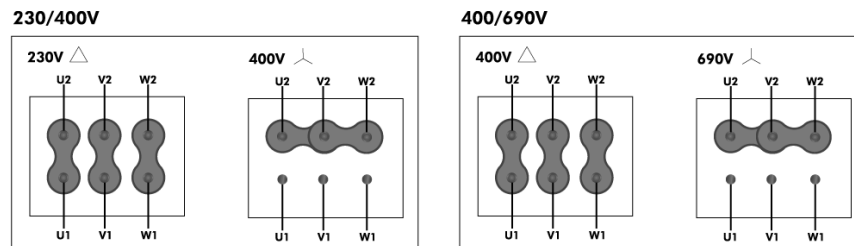
## dimensions diagram



### Dimensions (mm)

|       |       |       |       |       |       |       |                     |                      |                     |       |       |
|-------|-------|-------|-------|-------|-------|-------|---------------------|----------------------|---------------------|-------|-------|
| A=644 | B=528 | C=246 | D=182 | E=406 | F=198 | G=319 | H=538               | I=240                | J=290               | K=355 | L=457 |
| M=482 | N=360 | O=240 | P=274 | Q=382 | R=171 | S=395 | T $\varnothing$ =11 | U $\varnothing$ =257 | V $\varnothing$ =11 | Y=538 | Z1=13 |

## Wiring diagram



# MBX 35/14 T4 3kW

## Series general data MBX



### MANUFACTURING FEATURES

- Rolling steel sheet housing.
  - Completely joined or welded housing.
  - Single inlet forward curved impeller made of aluminium sheet.
  - Epoxy powder finishing coat.
  - Inlet sparkproof ring made of copper or aluminium.
  - Standard asynchronous squirrel-cage motor with IP-55 protection and Class F insulation. ATEX certified EEx-d.
- Manufactured with standard voltages: 230V 50Hz in single phase motors and 230/400V 50Hz in three phase motors up to 4kW, and 400/690V 50Hz for higher powers.

### APPLICATIONS

- Designed for inline installation, they are suitable for:
- General ventilation in closed environments classified as ATEX zone 2 or 22.
  - Maximum air working temperature from -20°C to 80°C.

### UNDER REQUEST

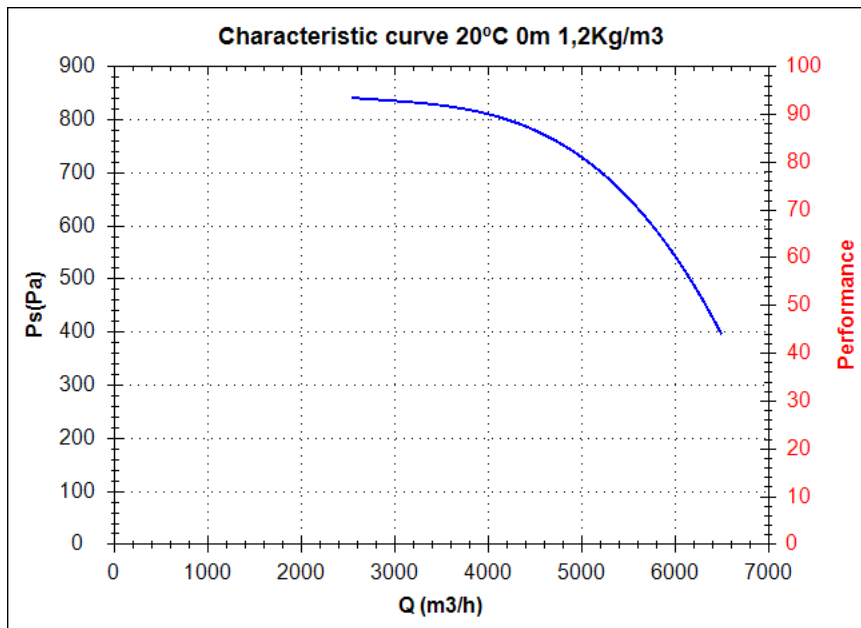
- 60Hz fans and special voltages.
- Special ATEX executions.

In compliance with the 94/9/CE Directive. ATEX II2G built. Certified II3G with certified ATEX EEx-d II2G motor for areas 2 (gas) or 22 (dust).

## Series accessories MBX



## Characteristic curve



### Design point

|          |  |
|----------|--|
| Q (m3/h) |  |
| Ps(Pa)   |  |

### Service point

|                |  |
|----------------|--|
| Impeller rpm   |  |
| Max. temp.(°C) |  |
| Q (m3/h)       |  |
| Ps(Pa)         |  |
| Pd(Pa)         |  |
| Pt(Pa)         |  |
| Air speed(m/s) |  |

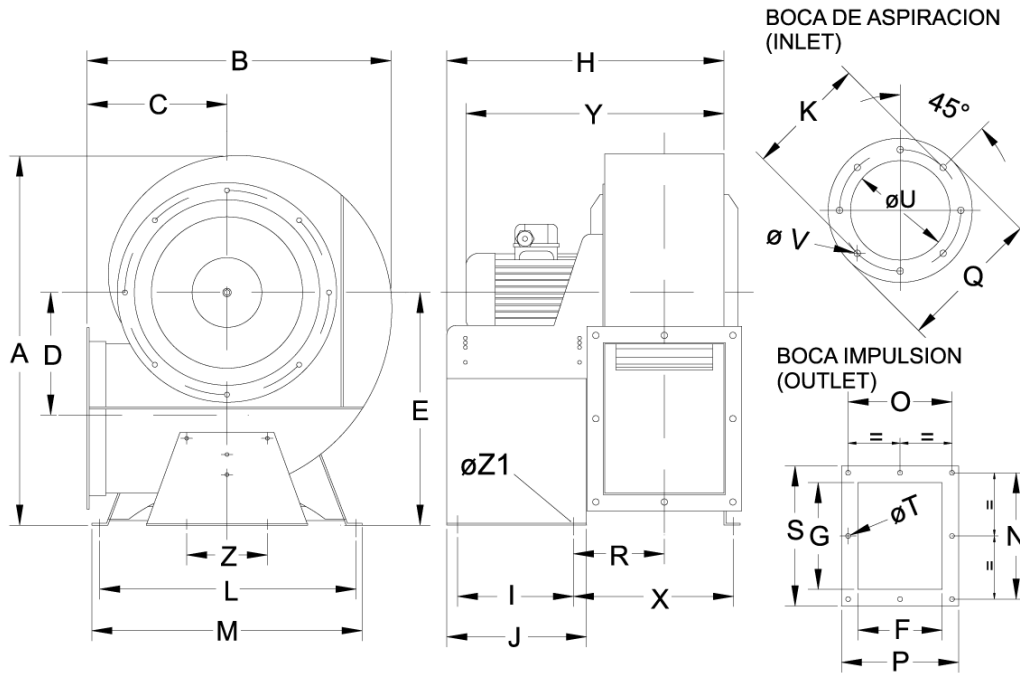
## Technical data

|                         |      |
|-------------------------|------|
| Impeller rpm            | 1430 |
| Motor rpm               | 1430 |
| Approx. weight(kg)      | 63   |
| Maximum flow rate(m3/h) | 6500 |

|              |      |
|--------------|------|
| Power(kW)    | 3    |
| Imax 230V(A) | 11,7 |
| Imax 400V(A) | 6,8  |
| Imax 690V(A) | -    |

# MBX 35/14 T4 3kW

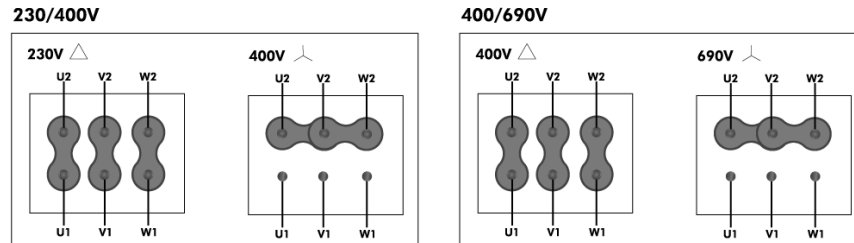
## dimensions diagram



### Dimensions (mm)

|       |       |       |       |       |       |       |                     |                      |                     |       |       |
|-------|-------|-------|-------|-------|-------|-------|---------------------|----------------------|---------------------|-------|-------|
| A=718 | B=584 | C=267 | D=243 | E=451 | F=224 | G=280 | H=564               | I=240                | J=290               | K=394 | L=449 |
| M=524 | N=318 | O=266 | P=300 | Q=422 | R=184 | S=356 | T $\varnothing$ =11 | U $\varnothing$ =289 | V $\varnothing$ =11 | Y=564 | Z1=13 |

## Wiring diagram



# MBX 35/14 T4 5,5kW

## Series general data MBX



### MANUFACTURING FEATURES

- Rolling steel sheet housing.
  - Completely joined or welded housing.
  - Single inlet forward curved impeller made of aluminium sheet.
  - Epoxy powder finishing coat.
  - Inlet sparkproof ring made of copper or aluminium.
  - Standard asynchronous squirrel-cage motor with IP-55 protection and Class F insulation. ATEX certified EEx-d.
- Manufactured with standard voltages: 230V 50Hz in single phase motors and 230/400V 50Hz in three phase motors up to 4kW, and 400/690V 50Hz for higher powers.

### APPLICATIONS

- Designed for inline installation, they are suitable for:
- General ventilation in closed environments classified as ATEX zone 2 or 22.
  - Maximum air working temperature from -20°C to 80°C.

### UNDER REQUEST

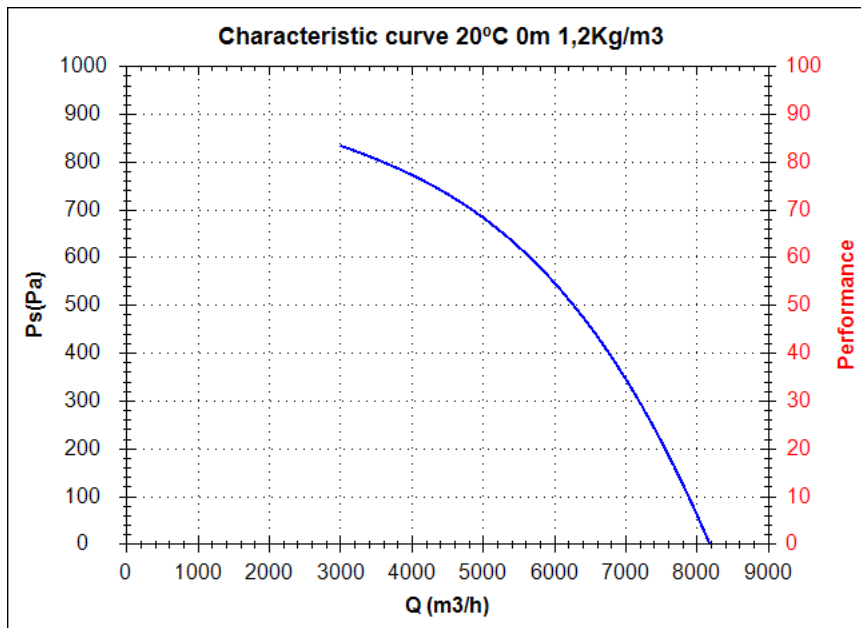
- 60Hz fans and special voltages.
- Special ATEX executions.

In compliance with the 94/9/CE Directive. ATEX II2G built. Certified II3G with certified ATEX EEx-d II2G motor for areas 2 (gas) or 22 (dust).

## Series accessories MBX



## Characteristic curve



### Design point

|          |  |
|----------|--|
| Q (m3/h) |  |
| Ps(Pa)   |  |

### Service point

|                |  |
|----------------|--|
| Impeller rpm   |  |
| Max. temp.(°C) |  |
| Q (m3/h)       |  |
| Ps(Pa)         |  |
| Pd(Pa)         |  |
| Pt(Pa)         |  |
| Air speed(m/s) |  |

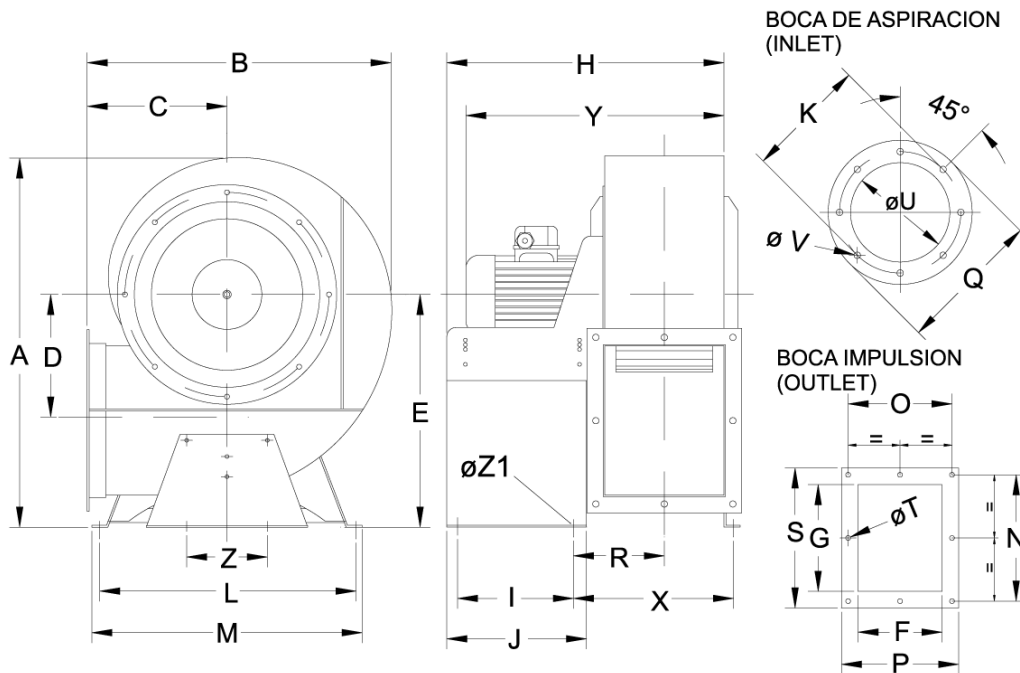
## Technical data

|                         |      |
|-------------------------|------|
| Impeller rpm            | 1440 |
| Motor rpm               | 1440 |
| Approx. weight(kg)      | 76   |
| Maximum flow rate(m3/h) | 8285 |

|              |     |
|--------------|-----|
| Power(kW)    | 5,5 |
| Imax 230V(A) | -   |
| Imax 400V(A) | 12  |
| Imax 690V(A) | -   |

# MBX 35/14 T4 5,5kW

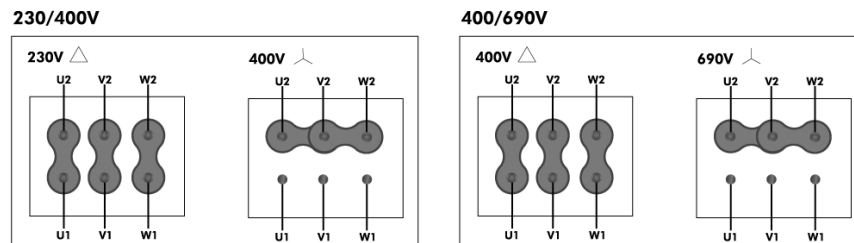
## dimensions diagram



### Dimensions (mm)

|       |       |       |       |       |       |       |                     |                      |                     |       |       |
|-------|-------|-------|-------|-------|-------|-------|---------------------|----------------------|---------------------|-------|-------|
| A=718 | B=584 | C=267 | D=243 | E=451 | F=224 | G=280 | H=564               | I=240                | J=290               | K=394 | L=449 |
| M=524 | N=318 | O=266 | P=300 | Q=422 | R=184 | S=356 | T $\varnothing$ =11 | U $\varnothing$ =289 | V $\varnothing$ =11 | Y=564 | Z1=13 |

## Wiring diagram



# MBX 40/16 T4 5,5kW

## Series general data MBX



### MANUFACTURING FEATURES

- Rolling steel sheet housing.
  - Completely joined or welded housing.
  - Single inlet forward curved impeller made of aluminium sheet.
  - Epoxy powder finishing coat.
  - Inlet sparkproof ring made of copper or aluminium.
  - Standard asynchronous squirrel-cage motor with IP-55 protection and Class F insulation. ATEX certified EEx-d.
- Manufactured with standard voltages: 230V 50Hz in single phase motors and 230/400V 50Hz in three phase motors up to 4kW, and 400/690V 50Hz for higher powers.

### APPLICATIONS

- Designed for inline installation, they are suitable for:
- General ventilation in closed environments classified as ATEX zone 2 or 22.
  - Maximum air working temperature from -20°C to 80°C.

### UNDER REQUEST

- 60Hz fans and special voltages.
- Special ATEX executions.

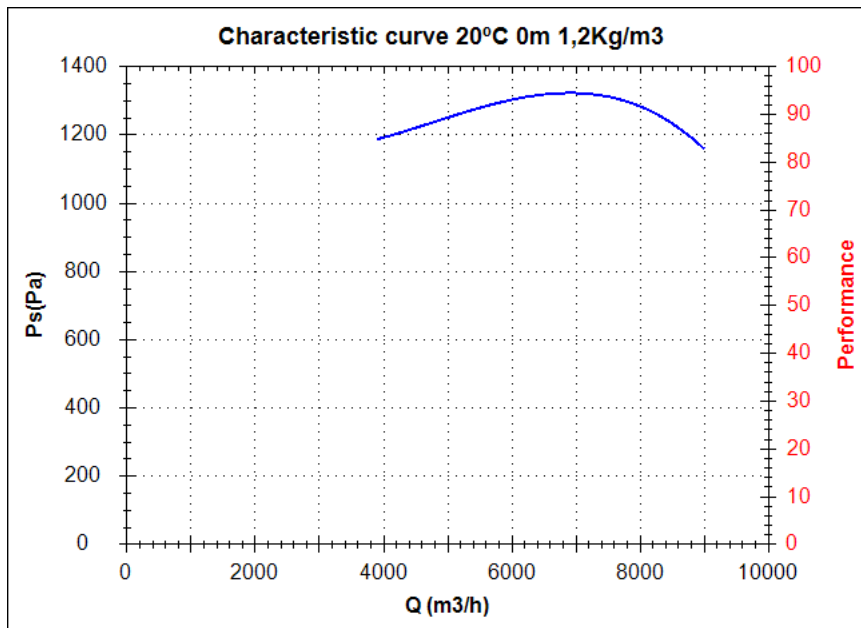
In compliance with the 94/9/CE Directive. ATEX II2G built. Certified II3G with certified ATEX EEx-d II2G motor for areas 2 (gas) or 22 (dust).

## Series accessories MBX



AC BA- BAD CPM INT JE-45 PE EI RBS RFS SIL-C /

## Characteristic curve



### Design point

|          |  |
|----------|--|
| Q (m3/h) |  |
| Ps(Pa)   |  |

### Service point

|                |  |
|----------------|--|
| Impeller rpm   |  |
| Max. temp.(°C) |  |
| Q (m3/h)       |  |
| Ps(Pa)         |  |
| Pd(Pa)         |  |
| Pt(Pa)         |  |
| Air speed(m/s) |  |

## Technical data

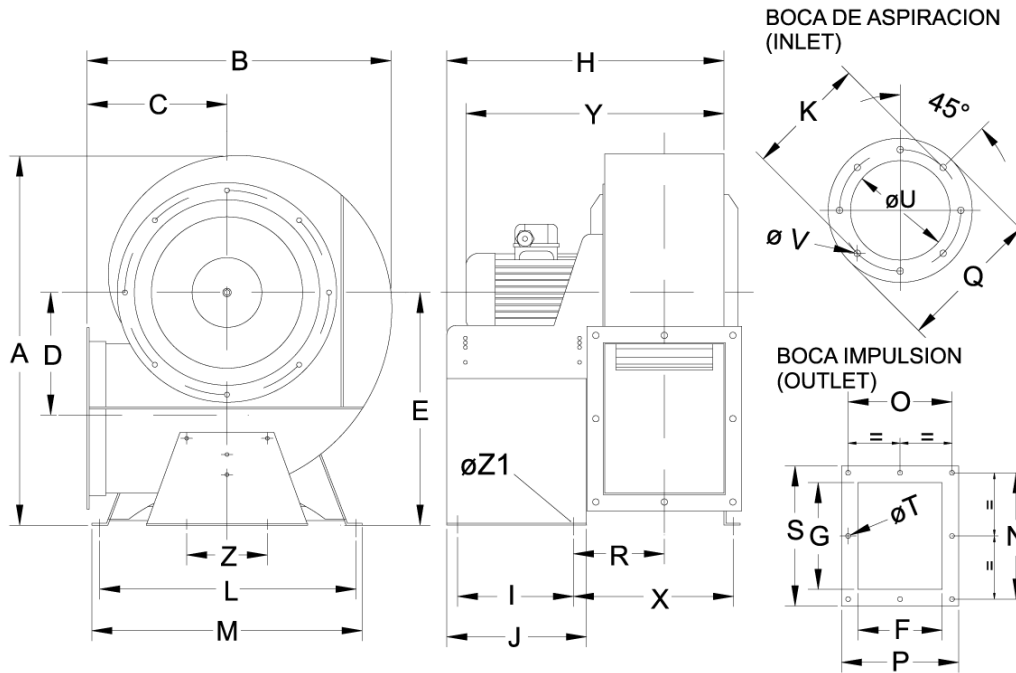
|                         |      |
|-------------------------|------|
| Impeller rpm            | 1440 |
| Motor rpm               | 1440 |
| Approx. weight(kg)      | 101  |
| Maximum flow rate(m3/h) | 9000 |

|              |     |
|--------------|-----|
| Power(kW)    | 5,5 |
| Imax 230V(A) | -   |
| Imax 400V(A) | 12  |
| Imax 690V(A) | -   |



# MBX 40/16 T4 5,5kW

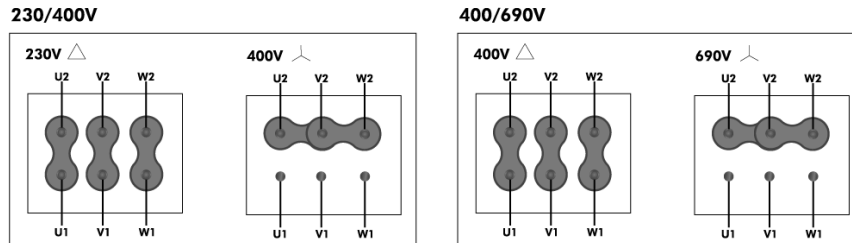
## dimensions diagram



### Dimensions (mm)

|       |       |       |       |       |       |       |                     |                      |                     |       |       |
|-------|-------|-------|-------|-------|-------|-------|---------------------|----------------------|---------------------|-------|-------|
| A=795 | B=649 | C=300 | D=273 | E=499 | F=250 | G=320 | H=595               | I=240                | J=290               | K=438 | L=560 |
| M=590 | N=370 | O=300 | P=336 | Q=464 | R=192 | S=406 | T $\varnothing$ =11 | U $\varnothing$ =325 | V $\varnothing$ =11 | X=355 | Y=595 |
| Z=200 | Z1=13 |       |       |       |       |       |                     |                      |                     |       |       |

## Wiring diagram



# MBX 40/16 T4 7,5kW

## Series general data MBX



### MANUFACTURING FEATURES

- Rolling steel sheet housing.
  - Completely joined or welded housing.
  - Single inlet forward curved impeller made of aluminium sheet.
  - Epoxy powder finishing coat.
  - Inlet sparkproof ring made of copper or aluminium.
  - Standard asynchronous squirrel-cage motor with IP-55 protection and Class F insulation. ATEX certified EEx-d.
- Manufactured with standard voltages: 230V 50Hz in single phase motors and 230/400V 50Hz in three phase motors up to 4kW, and 400/690V 50Hz for higher powers.

### APPLICATIONS

- Designed for inline installation, they are suitable for:
- General ventilation in closed environments classified as ATEX zone 2 or 22.
  - Maximum air working temperature from -20°C to 80°C.

### UNDER REQUEST

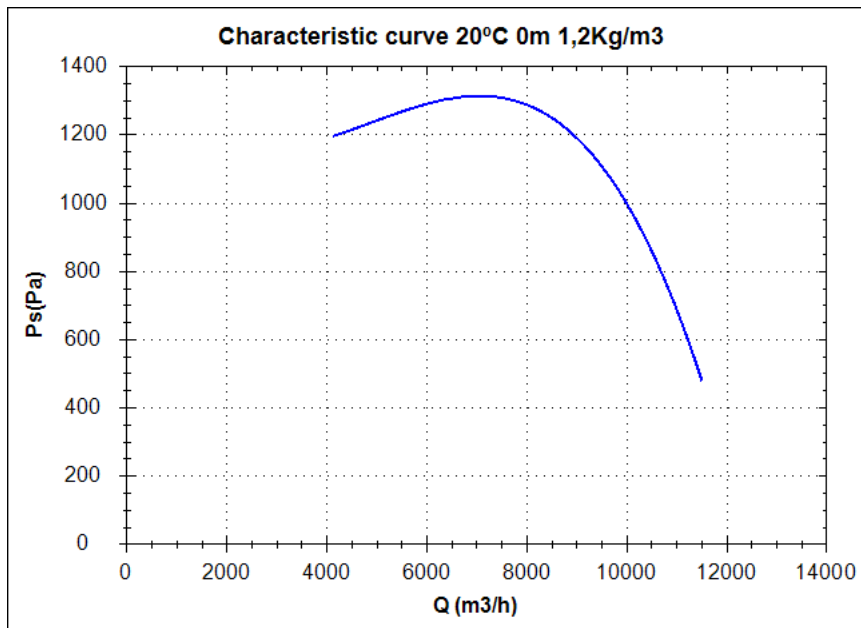
- 60Hz fans and special voltages.
- Special ATEX executions.

In compliance with the 94/9/CE Directive. ATEX II2G built. Certified II3G with certified ATEX EEx-d II2G motor for areas 2 (gas) or 22 (dust).

## Series accessories MBX



## Characteristic curve



### Design point

|                       |  |
|-----------------------|--|
| Q (m <sup>3</sup> /h) |  |
| Ps(Pa)                |  |

### Service point

|                       |  |
|-----------------------|--|
| Impeller rpm          |  |
| Max. temp.(°C)        |  |
| Q (m <sup>3</sup> /h) |  |
| Ps(Pa)                |  |
| Pd(Pa)                |  |
| Pt(Pa)                |  |
| Air speed(m/s)        |  |

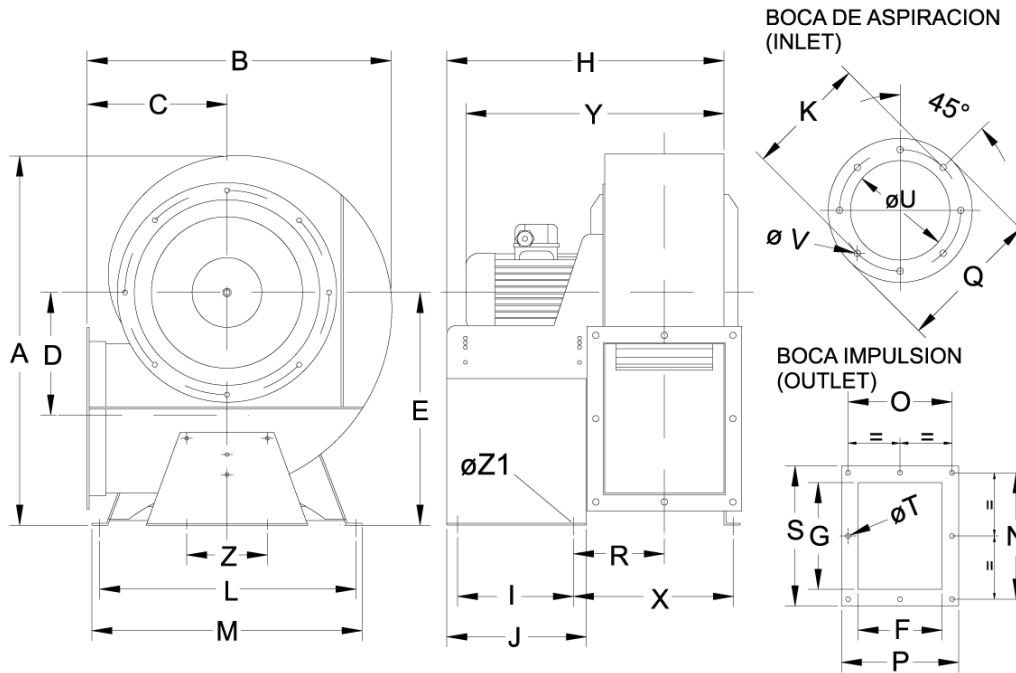
## Technical data

|                                      |       |
|--------------------------------------|-------|
| Impeller rpm                         | 1440  |
| Motor rpm                            | 1440  |
| Approx. weight(kg)                   | 110   |
| Maximum flow rate(m <sup>3</sup> /h) | 11500 |

|              |     |
|--------------|-----|
| Power(kW)    | 7,5 |
| Imax 230V(A) | -   |
| Imax 400V(A) | 15  |
| Imax 690V(A) | -   |

# MBX 40/16 T4 7,5kW

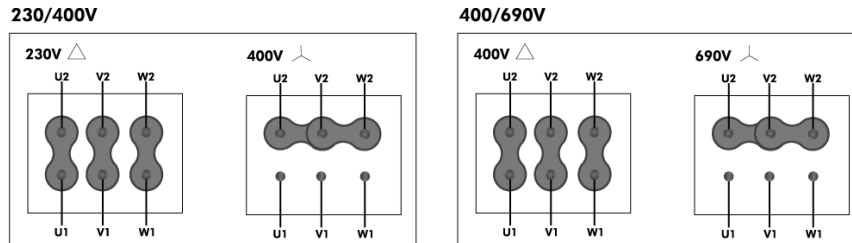
## dimensions diagram



### Dimensions (mm)

|       |       |       |       |       |       |       |                     |                      |                     |       |       |
|-------|-------|-------|-------|-------|-------|-------|---------------------|----------------------|---------------------|-------|-------|
| A=795 | B=649 | C=300 | D=273 | E=499 | F=250 | G=320 | H=595               | I=240                | J=290               | K=438 | L=560 |
| M=590 | N=370 | O=300 | P=336 | Q=464 | R=192 | S=406 | T $\varnothing$ =11 | U $\varnothing$ =325 | V $\varnothing$ =11 | X=355 | Y=595 |
| Z=200 | Z1=13 |       |       |       |       |       |                     |                      |                     |       |       |

## Wiring diagram



# MBX 40/16 T6 2,2kW

## Series general data MBX



### MANUFACTURING FEATURES

- Rolling steel sheet housing.
  - Completely joined or welded housing.
  - Single inlet forward curved impeller made of aluminium sheet.
  - Epoxy powder finishing coat.
  - Inlet sparkproof ring made of copper or aluminium.
  - Standard asynchronous squirrel-cage motor with IP-55 protection and Class F insulation. ATEX certified EEx-d.
- Manufactured with standard voltages: 230V 50Hz in single phase motors and 230/400V 50Hz in three phase motors up to 4kW, and 400/690V 50Hz for higher powers.

### APPLICATIONS

- Designed for inline installation, they are suitable for:
- General ventilation in closed environments classified as ATEX zone 2 or 22.
  - Maximum air working temperature from -20°C to 80°C.

### UNDER REQUEST

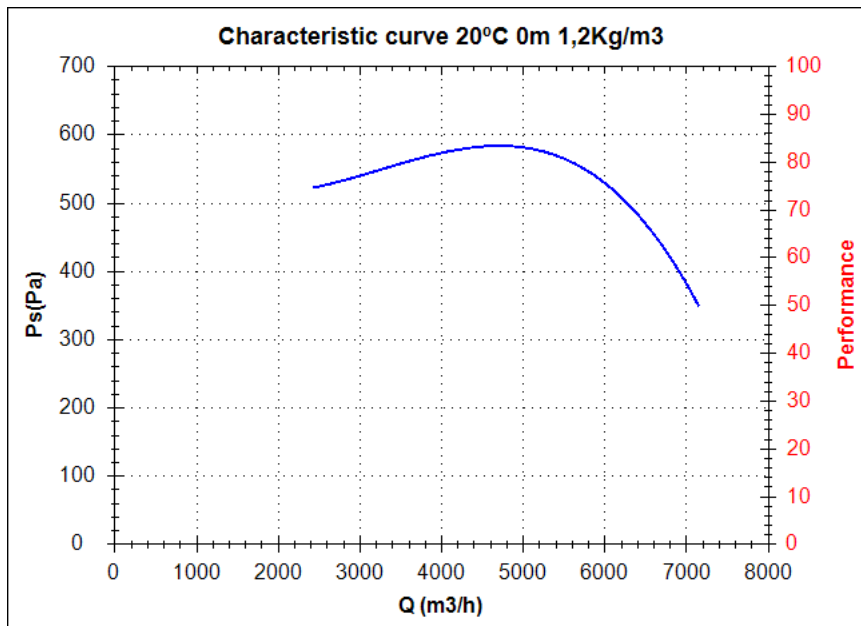
- 60Hz fans and special voltages.
- Special ATEX executions.

In compliance with the 94/9/CE Directive. ATEX II2G built. Certified II3G with certified ATEX EEx-d II2G motor for areas 2 (gas) or 22 (dust).

## Series accessories MBX



## Characteristic curve



### Design point

|                       |  |
|-----------------------|--|
| Q (m <sup>3</sup> /h) |  |
| Ps(Pa)                |  |

### Service point

|                       |  |
|-----------------------|--|
| Impeller rpm          |  |
| Max. temp.(°C)        |  |
| Q (m <sup>3</sup> /h) |  |
| Ps(Pa)                |  |
| Pd(Pa)                |  |
| Pt(Pa)                |  |
| Air speed(m/s)        |  |

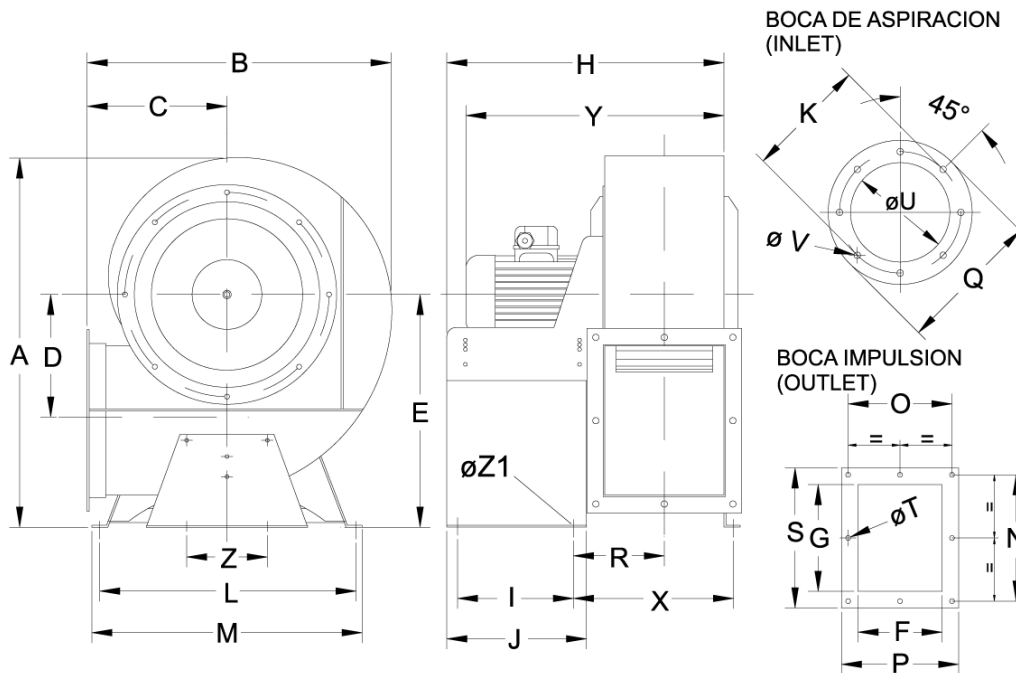
## Technical data

|                                      |      |
|--------------------------------------|------|
| Impeller rpm                         | 940  |
| Motor rpm                            | 940  |
| Approx. weight(kg)                   | 94   |
| Maximum flow rate(m <sup>3</sup> /h) | 7150 |

|              |     |
|--------------|-----|
| Power(kW)    | 2,2 |
| Imax 230V(A) | 9,7 |
| Imax 400V(A) | 5,6 |
| Imax 690V(A) | -   |

# MBX 40/16 T6 2,2kW

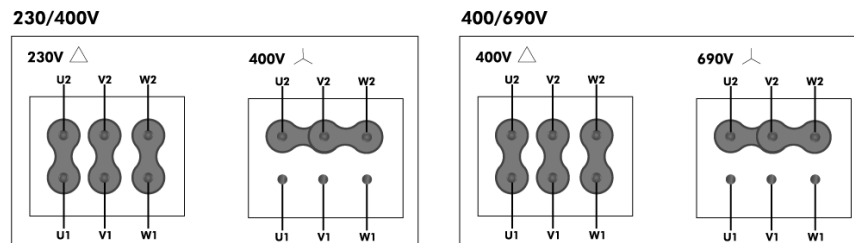
## dimensions diagram



### Dimensions (mm)

|       |       |       |       |       |       |       |                     |                      |                     |       |       |
|-------|-------|-------|-------|-------|-------|-------|---------------------|----------------------|---------------------|-------|-------|
| A=795 | B=649 | C=300 | D=273 | E=499 | F=250 | G=320 | H=595               | I=240                | J=290               | K=438 | L=560 |
| M=590 | N=370 | O=300 | P=336 | Q=464 | R=192 | S=406 | T $\varnothing$ =11 | U $\varnothing$ =325 | V $\varnothing$ =11 | X=355 | Y=595 |
| Z=200 | Z1=13 |       |       |       |       |       |                     |                      |                     |       |       |

## Wiring diagram



# MBX 45/18 T4 5,5kW

## Series general data MBX



### MANUFACTURING FEATURES

- Rolling steel sheet housing.
  - Completely joined or welded housing.
  - Single inlet forward curved impeller made of aluminium sheet.
  - Epoxy powder finishing coat.
  - Inlet sparkproof ring made of copper or aluminium.
  - Standard asynchronous squirrel-cage motor with IP-55 protection and Class F insulation. ATEX certified EEx-d.
- Manufactured with standard voltages: 230V 50Hz in single phase motors and 230/400V 50Hz in three phase motors up to 4kW, and 400/690V 50Hz for higher powers.

### APPLICATIONS

- Designed for inline installation, they are suitable for:
- General ventilation in closed environments classified as ATEX zone 2 or 22.
  - Maximum air working temperature from -20°C to 80°C.

### UNDER REQUEST

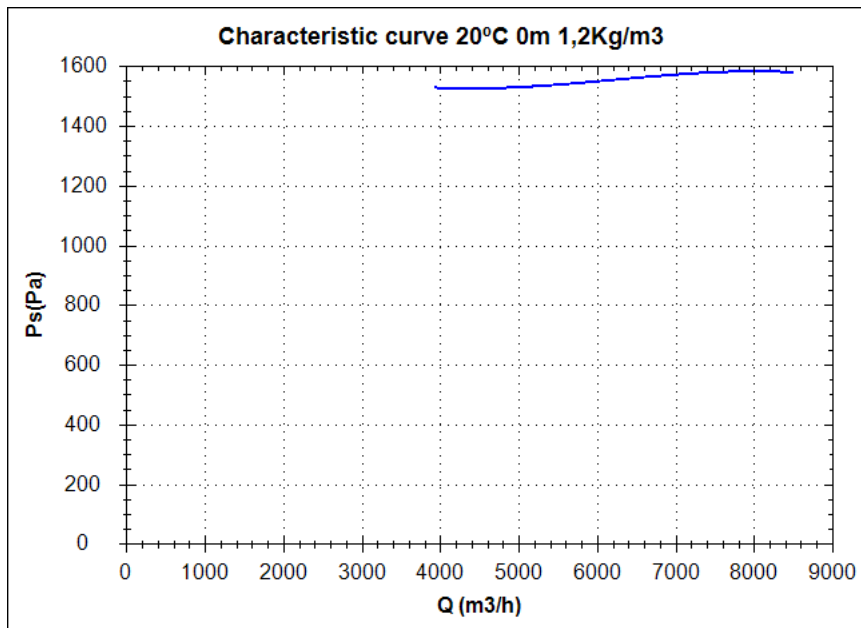
- 60Hz fans and special voltages.
- Special ATEX executions.

In compliance with the 94/9/CE Directive. ATEX II2G built. Certified II3G with certified ATEX EEx-d II2G motor for areas 2 (gas) or 22 (dust).

## Series accessories MBX



## Characteristic curve



### Design point

|          |  |
|----------|--|
| Q (m3/h) |  |
| Ps(Pa)   |  |

### Service point

|                |  |
|----------------|--|
| Impeller rpm   |  |
| Max. temp.(°C) |  |
| Q (m3/h)       |  |
| Ps(Pa)         |  |
| Pd(Pa)         |  |
| Pt(Pa)         |  |
| Air speed(m/s) |  |

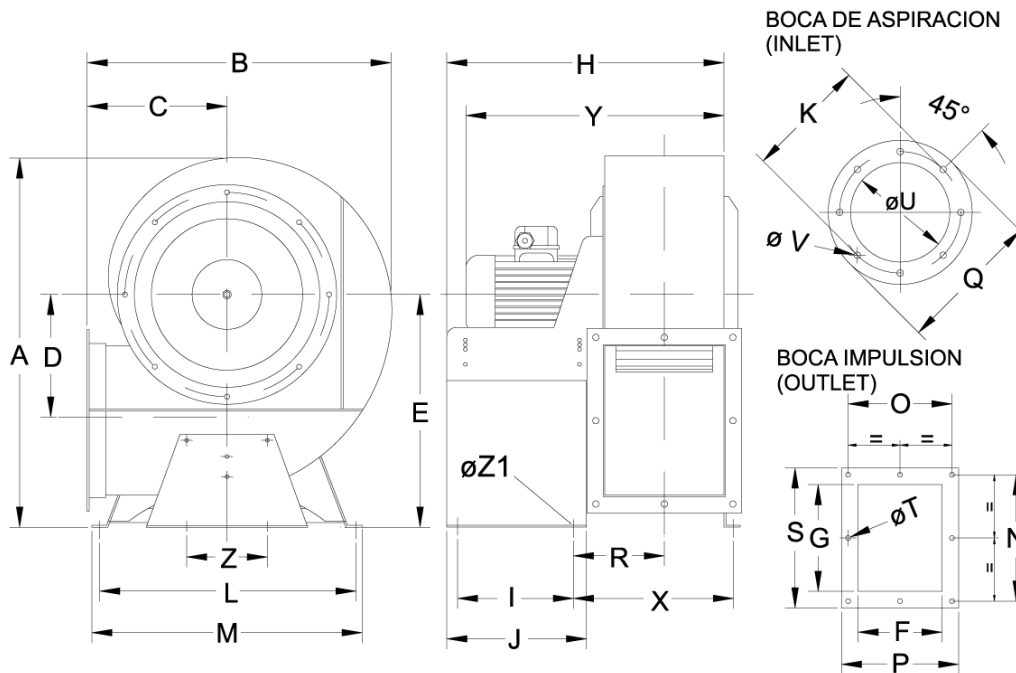
## Technical data

|                         |      |
|-------------------------|------|
| Impeller rpm            | 1440 |
| Motor rpm               | 1440 |
| Approx. weight(kg)      | 116  |
| Maximum flow rate(m3/h) | 8500 |

|              |     |
|--------------|-----|
| Power(kW)    | 5,5 |
| Imax 230V(A) | -   |
| Imax 400V(A) | 12  |
| Imax 690V(A) | -   |

# MBX 45/18 T4 5,5kW

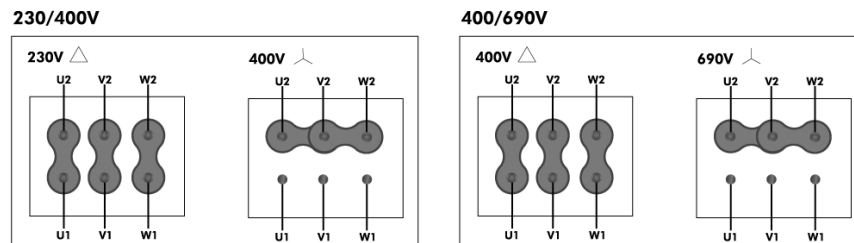
## dimensions diagram



### Dimensions (mm)

|       |       |       |       |       |       |       |                     |                      |                     |       |       |
|-------|-------|-------|-------|-------|-------|-------|---------------------|----------------------|---------------------|-------|-------|
| A=885 | B=728 | C=326 | D=305 | E=553 | F=280 | G=360 | H=625               | I=250                | J=300               | K=489 | L=602 |
| M=632 | N=404 | O=328 | P=356 | Q=515 | R=207 | S=436 | T $\varnothing$ =11 | U $\varnothing$ =365 | V $\varnothing$ =11 | X=365 | Y=625 |
| Z=200 | Z1=13 |       |       |       |       |       |                     |                      |                     |       |       |

## Wiring diagram



# MBX 45/18 T4 7,5kW

## Series general data MBX



### MANUFACTURING FEATURES

- Rolling steel sheet housing.
  - Completely joined or welded housing.
  - Single inlet forward curved impeller made of aluminium sheet.
  - Epoxy powder finishing coat.
  - Inlet sparkproof ring made of copper or aluminium.
  - Standard asynchronous squirrel-cage motor with IP-55 protection and Class F insulation. ATEX certified EEx-d.
- Manufactured with standard voltages: 230V 50Hz in single phase motors and 230/400V 50Hz in three phase motors up to 4kW, and 400/690V 50Hz for higher powers.

### APPLICATIONS

- Designed for inline installation, they are suitable for:
- General ventilation in closed environments classified as ATEX zone 2 or 22.
  - Maximum air working temperature from -20°C to 80°C.

### UNDER REQUEST

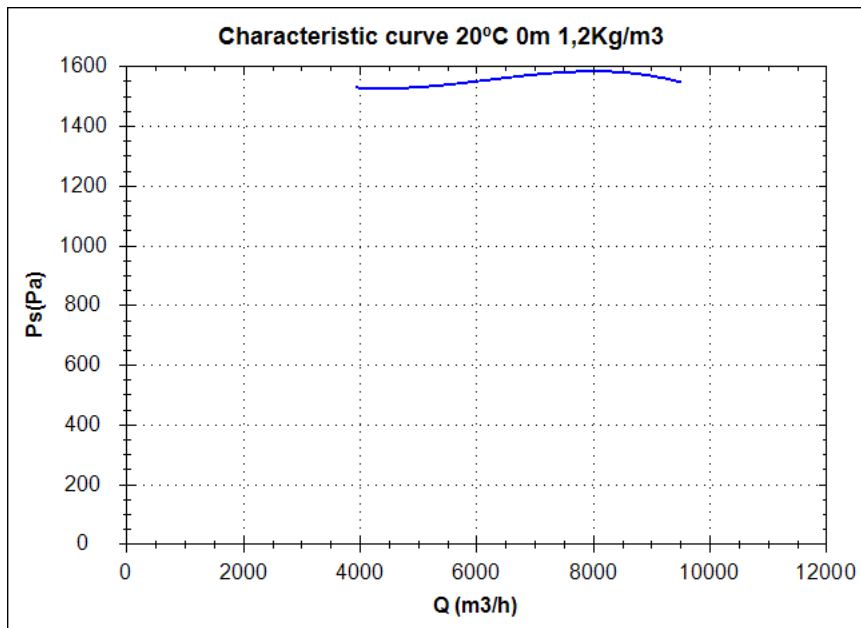
- 60Hz fans and special voltages.
- Special ATEX executions.

In compliance with the 94/9/CE Directive. ATEX II2G built. Certified II3G with certified ATEX EEx-d II2G motor for areas 2 (gas) or 22 (dust).

## Series accessories MBX



## Characteristic curve



### Design point

|                       |  |
|-----------------------|--|
| Q (m <sup>3</sup> /h) |  |
| Ps(Pa)                |  |

### Service point

|                       |  |
|-----------------------|--|
| Impeller rpm          |  |
| Max. temp.(°C)        |  |
| Q (m <sup>3</sup> /h) |  |
| Ps(Pa)                |  |
| Pd(Pa)                |  |
| Pt(Pa)                |  |
| Air speed(m/s)        |  |

## Technical data

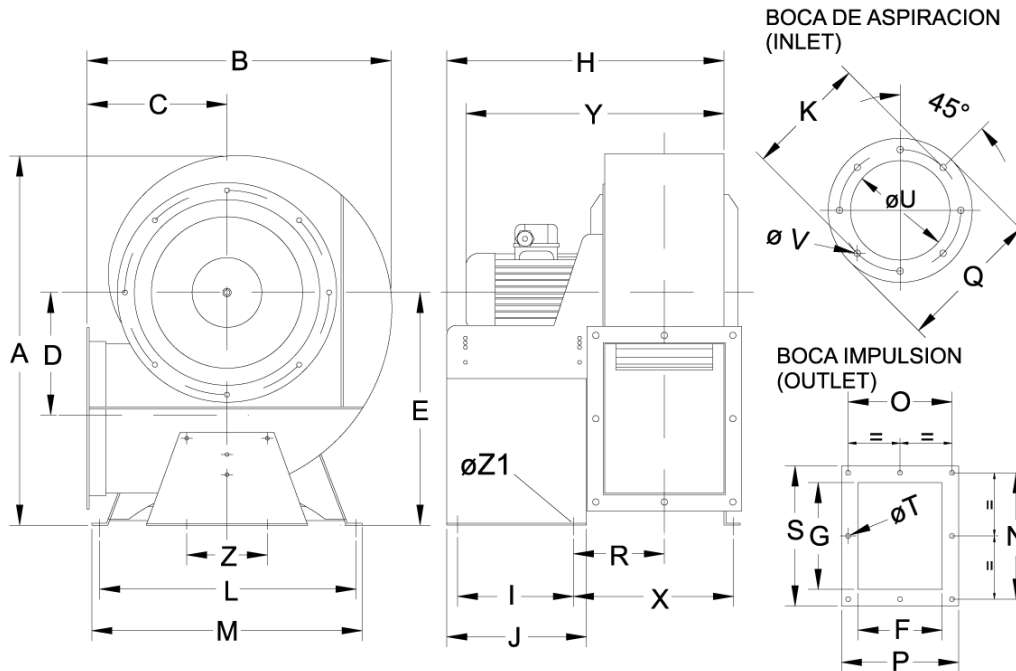
|                                      |      |
|--------------------------------------|------|
| Impeller rpm                         | 1440 |
| Motor rpm                            | 1440 |
| Approx. weight(kg)                   | 119  |
| Maximum flow rate(m <sup>3</sup> /h) | 9500 |

|              |     |
|--------------|-----|
| Power(kW)    | 7,5 |
| Imax 230V(A) | -   |
| Imax 400V(A) | 15  |
| Imax 690V(A) | -   |



# MBX 45/18 T4 7,5kW

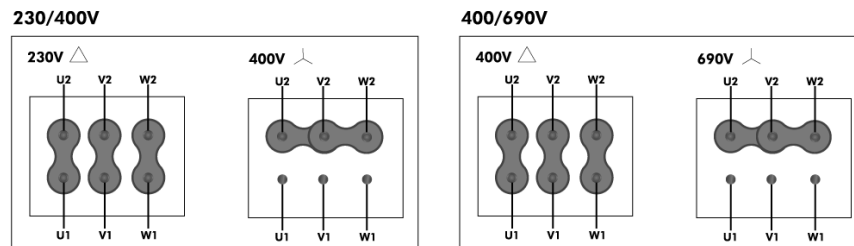
## dimensions diagram



### Dimensions (mm)

|       |       |       |       |       |       |       |                     |                      |                     |       |       |
|-------|-------|-------|-------|-------|-------|-------|---------------------|----------------------|---------------------|-------|-------|
| A=885 | B=728 | C=326 | D=305 | E=553 | F=280 | G=360 | H=625               | I=250                | J=300               | K=489 | L=602 |
| M=632 | N=404 | O=328 | P=356 | Q=515 | R=207 | S=436 | T $\varnothing$ =11 | U $\varnothing$ =365 | V $\varnothing$ =11 | X=365 | Y=625 |
| Z=200 | Z1=13 |       |       |       |       |       |                     |                      |                     |       |       |

## Wiring diagram



# MBX 45/18 T4 11kW

## Series general data MBX



### MANUFACTURING FEATURES

- Rolling steel sheet housing.
  - Completely joined or welded housing.
  - Single inlet forward curved impeller made of aluminium sheet.
  - Epoxy powder finishing coat.
  - Inlet sparkproof ring made of copper or aluminium.
  - Standard asynchronous squirrel-cage motor with IP-55 protection and Class F insulation. ATEX certified EEx-d.
- Manufactured with standard voltages: 230V 50Hz in single phase motors and 230/400V 50Hz in three phase motors up to 4kW, and 400/690V 50Hz for higher powers.

### APPLICATIONS

- Designed for inline installation, they are suitable for:
- General ventilation in closed environments classified as ATEX zone 2 or 22.
  - Maximum air working temperature from -20°C to 80°C.

### UNDER REQUEST

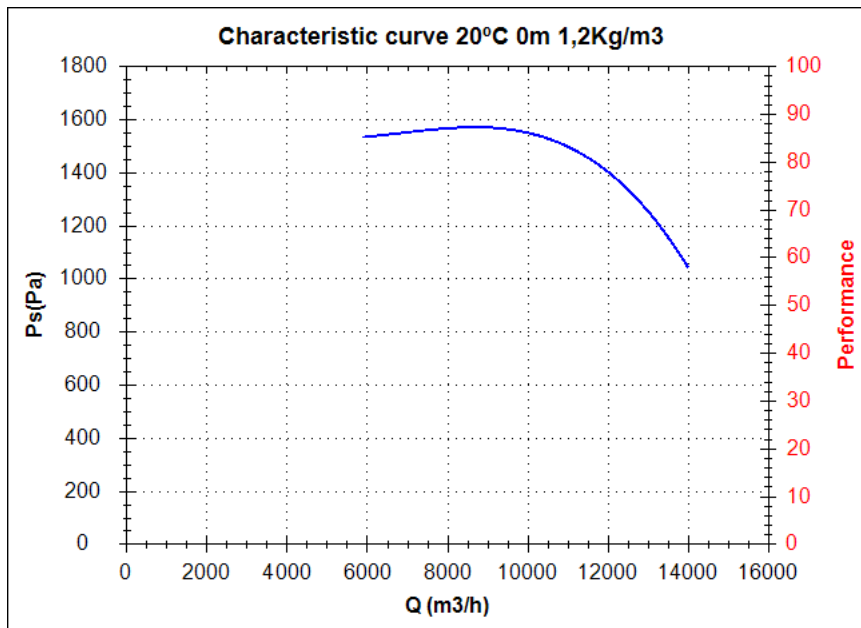
- 60Hz fans and special voltages.
- Special ATEX executions.

In compliance with the 94/9/CE Directive. ATEX II2G built. Certified II3G with certified ATEX EEx-d II2G motor for areas 2 (gas) or 22 (dust).

## Series accessories MBX



## Characteristic curve



### Design point

|          |  |
|----------|--|
| Q (m3/h) |  |
| Ps(Pa)   |  |

### Service point

|                |  |
|----------------|--|
| Impeller rpm   |  |
| Max. temp.(°C) |  |
| Q (m3/h)       |  |
| Ps(Pa)         |  |
| Pd(Pa)         |  |
| Pt(Pa)         |  |
| Air speed(m/s) |  |

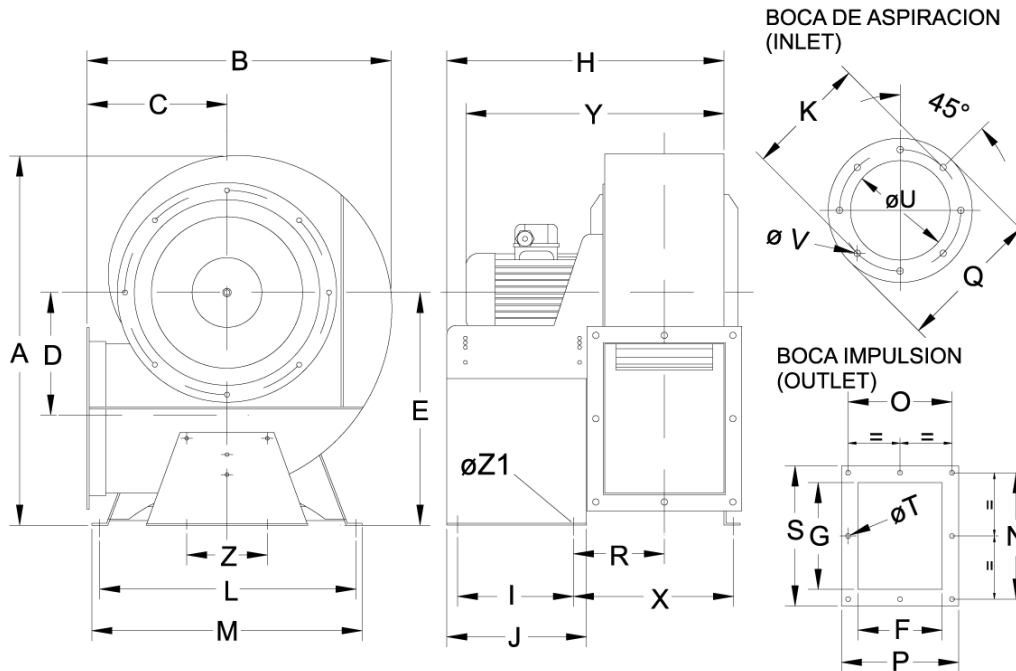
## Technical data

|                         |       |
|-------------------------|-------|
| Impeller rpm            | 1440  |
| Motor rpm               | 1440  |
| Approx. weight(kg)      | 190   |
| Maximum flow rate(m3/h) | 14000 |

|              |      |
|--------------|------|
| Power(kW)    | 11   |
| Imax 230V(A) | -    |
| Imax 400V(A) | 20,9 |
| Imax 690V(A) | -    |

# MBX 45/18 T4 11kW

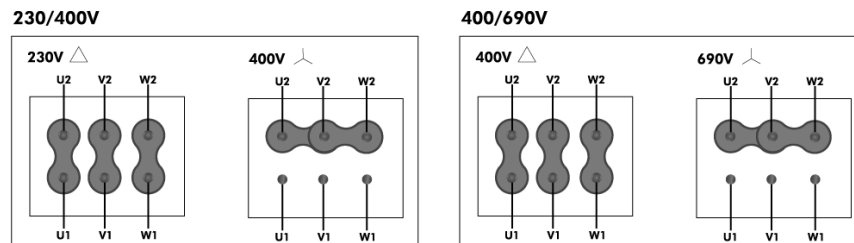
## dimensions diagram



### Dimensions (mm)

|       |       |       |       |       |       |       |                     |                      |                     |       |       |
|-------|-------|-------|-------|-------|-------|-------|---------------------|----------------------|---------------------|-------|-------|
| A=885 | B=728 | C=326 | D=305 | E=553 | F=280 | G=360 | H=625               | I=250                | J=300               | K=489 | L=602 |
| M=632 | N=404 | O=328 | P=356 | Q=515 | R=207 | S=436 | T $\varnothing$ =11 | U $\varnothing$ =365 | V $\varnothing$ =11 | X=365 | Y=625 |
| Z=200 | Z1=13 |       |       |       |       |       |                     |                      |                     |       |       |

## Wiring diagram



# MBX 45/18 T6 2,2kW

## Series general data MBX



### MANUFACTURING FEATURES

- Rolling steel sheet housing.
  - Completely joined or welded housing.
  - Single inlet forward curved impeller made of aluminium sheet.
  - Epoxy powder finishing coat.
  - Inlet sparkproof ring made of copper or aluminium.
  - Standard asynchronous squirrel-cage motor with IP-55 protection and Class F insulation. ATEX certified EEx-d.
- Manufactured with standard voltages: 230V 50Hz in single phase motors and 230/400V 50Hz in three phase motors up to 4kW, and 400/690V 50Hz for higher powers.

### APPLICATIONS

- Designed for inline installation, they are suitable for:
- General ventilation in closed environments classified as ATEX zone 2 or 22.
  - Maximum air working temperature from -20°C to 80°C.

### UNDER REQUEST

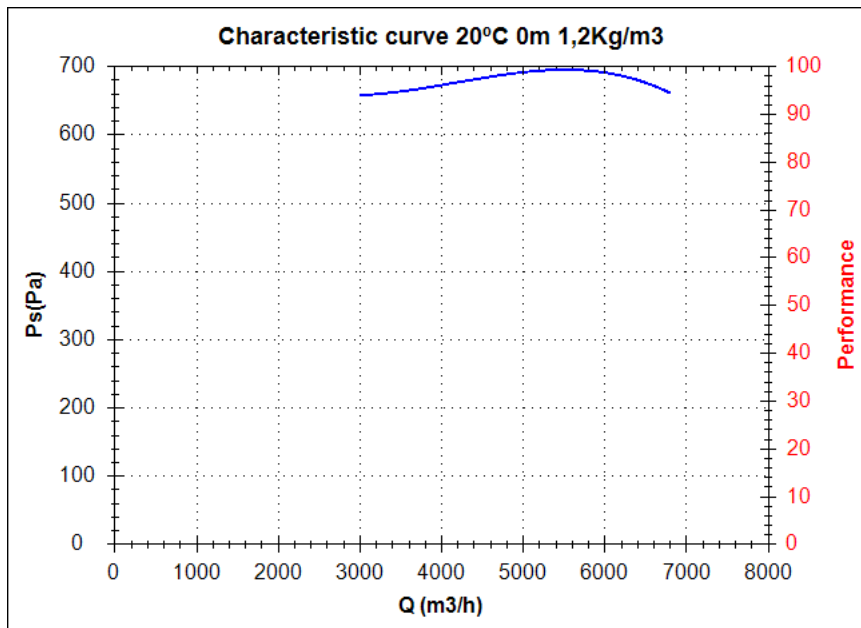
- 60Hz fans and special voltages.
- Special ATEX executions.

In compliance with the 94/9/CE Directive. ATEX II2G built. Certified II3G with certified ATEX EEx-d II2G motor for areas 2 (gas) or 22 (dust).

## Series accessories MBX



## Characteristic curve



### Design point

|          |  |
|----------|--|
| Q (m3/h) |  |
| Ps(Pa)   |  |

### Service point

|                |  |
|----------------|--|
| Impeller rpm   |  |
| Max. temp.(°C) |  |
| Q (m3/h)       |  |
| Ps(Pa)         |  |
| Pd(Pa)         |  |
| Pt(Pa)         |  |
| Air speed(m/s) |  |

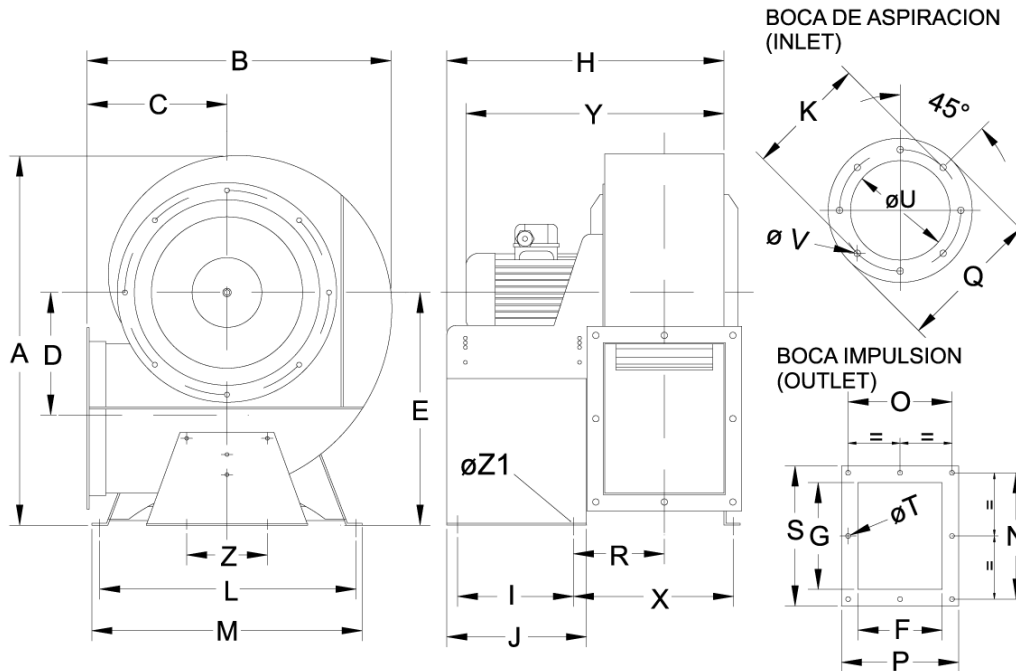
## Technical data

|                         |      |
|-------------------------|------|
| Impeller rpm            | 940  |
| Motor rpm               | 940  |
| Approx. weight(kg)      | 112  |
| Maximum flow rate(m3/h) | 6800 |

|              |     |
|--------------|-----|
| Power(kW)    | 2,2 |
| Imax 230V(A) | 9,7 |
| Imax 400V(A) | 5,6 |
| Imax 690V(A) | -   |

# MBX 45/18 T6 2,2kW

## dimensions diagram



### Dimensions (mm)

|       |       |       |       |       |       |       |                     |                      |                     |       |       |
|-------|-------|-------|-------|-------|-------|-------|---------------------|----------------------|---------------------|-------|-------|
| A=885 | B=728 | C=326 | D=305 | E=553 | F=280 | G=360 | H=625               | I=250                | J=300               | K=489 | L=602 |
| M=632 | N=404 | O=328 | P=356 | Q=515 | R=207 | S=436 | T $\varnothing$ =11 | U $\varnothing$ =365 | V $\varnothing$ =11 | X=365 | Y=625 |
| Z=200 | Z1=13 |       |       |       |       |       |                     |                      |                     |       |       |

## Wiring diagram

