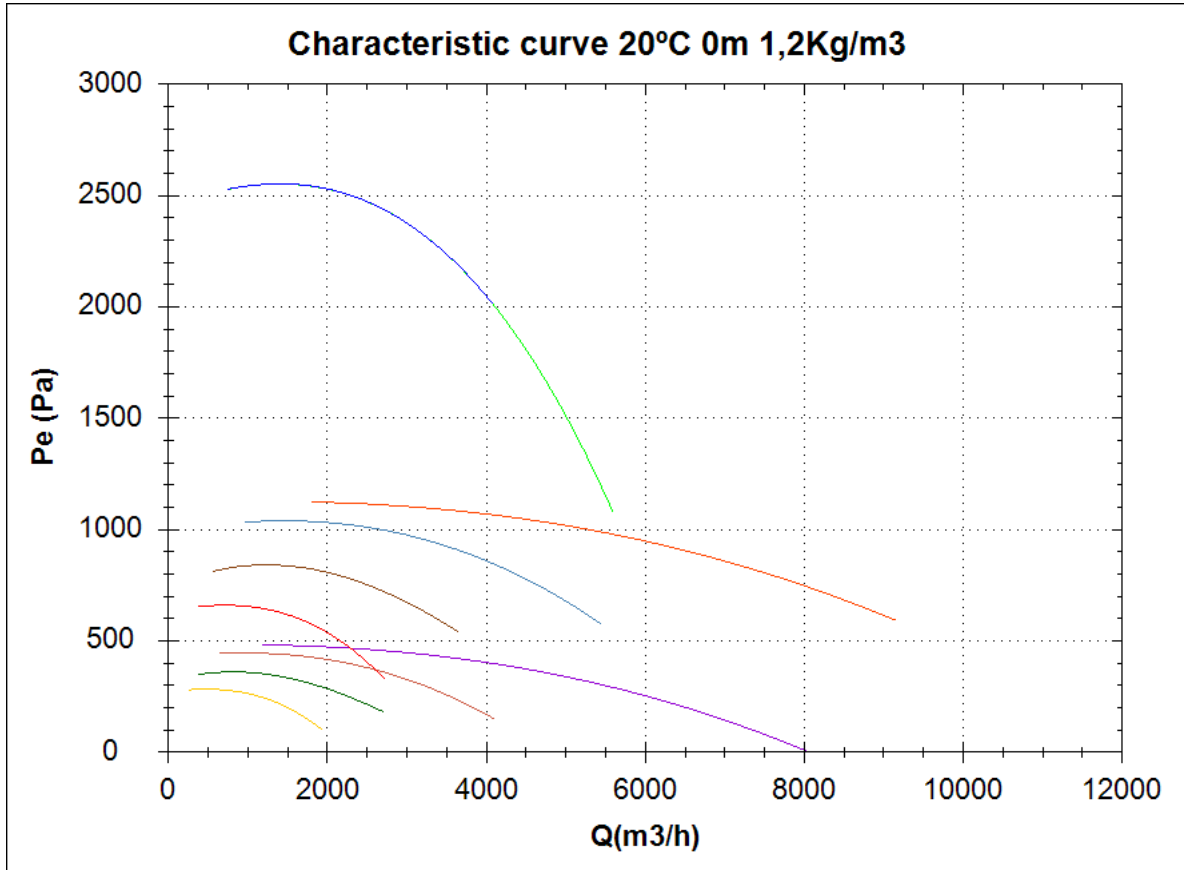


Comparative

Design point

| | |
|----------|--|
| Q (m3/h) | |
| Ps(Pa) | |



| | | Model | Q(m3/h) | P (Pa) |
|--|----|-------------------|---------|--------|
| ■ | 1 | MBPC 40 T2 4kW | | |
| ■ | 2 | MBPC 40 T2 5,5kW | | |
| ■ | 3 | MBPC 40 T4 0,75kW | | |
| ■ | 4 | MBPC 40 T6 0,25kW | | |
| ■ | 5 | MBPC 45 T4 1,1kW | | |
| ■ | 6 | MBPC 45 T6 0,37kW | | |
| ■ | 7 | MBPC 50 T4 2,2kW | | |
| ■ | 8 | MBPC 50 T6 0,75kW | | |
| ■ | 9 | MBPC 56 T4 5,5kW | | |
| ■ | 10 | MBPC 56 T6 2,2kW | | |

MBPC 40 T2 4kW

Series general data MBPC



MANUFACTURING FEATURES:

- PE plastic housing (antistatic PE-el for ATEX units).
- Forward curved impeller in PP plastic.
- Motor support made of rolled steel sheet with epoxy powder finishing coat.
- Stainless steel nuts and bolts.
- Standard asynchronous squirrel-cage motor, IP-55, class F insulation. Standard voltages 230/400V 50Hz.

APPLICATIONS:

Designed for inline installation, they are suitable for:

- Corrosive air transport.
- Chemical and petrochemical industry.
- Laboratories and gas cabinets.
- Maximum working temperature: 50°C.

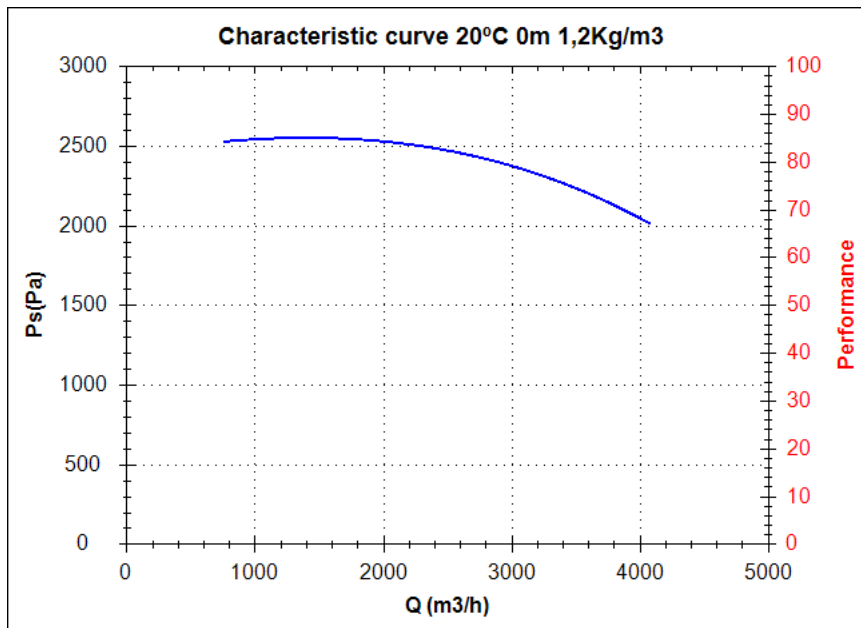
UNDER REQUEST:

- Single phase motors (up to 1,5kW).
- 60Hz fans and special voltages fans.
- 2 speed motors.
- Stainless steel motor support.
- Casing made of PP.

Series accessories MBPC



Characteristic curve



Design point

| | |
|----------|--|
| Q (m3/h) | |
| Ps(Pa) | |

Service point

| | |
|----------------|--|
| Impeller rpm | |
| Max. temp.(°C) | |
| Q (m3/h) | |
| Ps(Pa) | |
| Pd(Pa) | |
| Pt(Pa) | |
| Air speed(m/s) | |

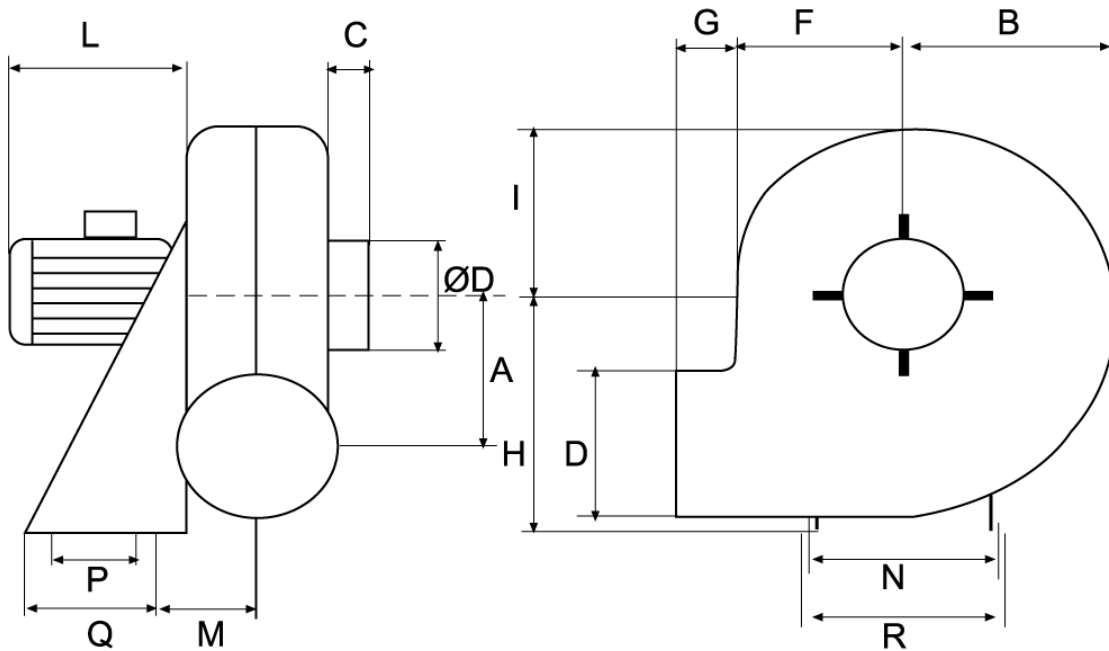
Technical data

| | |
|-------------------------|------|
| Impeller rpm | 2890 |
| Motor rpm | 2890 |
| Approx. weight(kg) | 47 |
| Maximum flow rate(m3/h) | 4080 |

| | |
|--------------|------|
| Power(kW) | 4 |
| Imax 230V(A) | 14,2 |
| Imax 400V(A) | 8,2 |
| Imax 690V(A) | - |

MBPC 40 T2 4kW

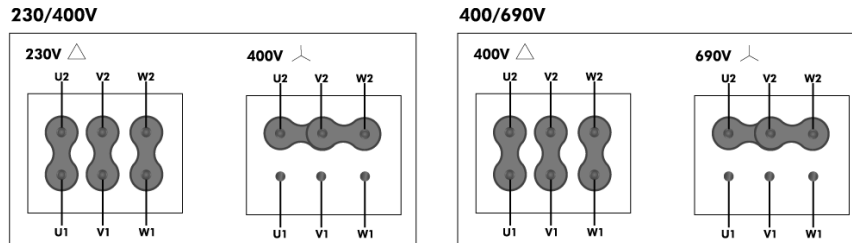
dimensions diagram



Dimensions (mm)

| | | | | | | | | | | | |
|-------|-------|-------|--------|-------|-------|------|-------|-------|-------|-------|-------|
| A=290 | B=380 | C=40 | DØ=250 | E=185 | F=260 | G=80 | H=495 | I=330 | L=325 | M=135 | N=330 |
| P=170 | Q=250 | R=370 | | | | | | | | | |

Wiring diagram



MBPC 40 T2 5,5kW

Series general data MBPC



MANUFACTURING FEATURES:

- PE plastic housing (antistatic PE-el for ATEX units).
- Forward curved impeller in PP plastic.
- Motor support made of rolled steel sheet with epoxy powder finishing coat.
- Stainless steel nuts and bolts.
- Standard asynchronous squirrel-cage motor, IP-55, class F insulation. Standard voltages 230/400V 50Hz.

APPLICATIONS:

Designed for inline installation, they are suitable for:

- Corrosive air transport.
- Chemical and petrochemical industry.
- Laboratories and gas cabinets.
- Maximum working temperature: 50°C.

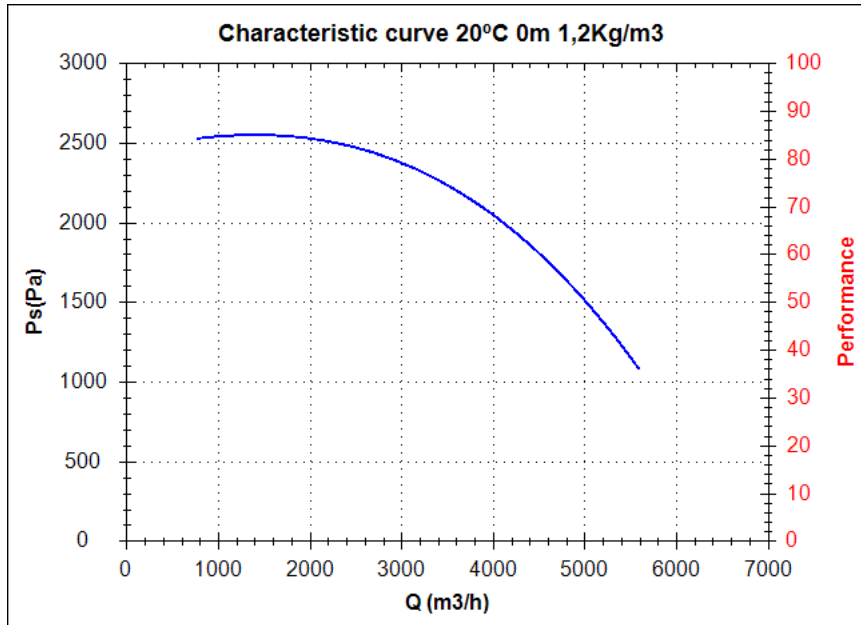
UNDER REQUEST:

- Single phase motors (up to 1,5kW).
- 60Hz fans and special voltages fans.
- 2 speed motors.
- Stainless steel motor support.
- Casing made of PP.

Series accessories MBPC



Characteristic curve



Design point

| | |
|----------|--|
| Q (m3/h) | |
| Ps(Pa) | |

Service point

| | |
|----------------|--|
| Impeller rpm | |
| Max. temp.(°C) | |
| Q (m3/h) | |
| Ps(Pa) | |
| Pd(Pa) | |
| Pt(Pa) | |
| Air speed(m/s) | |

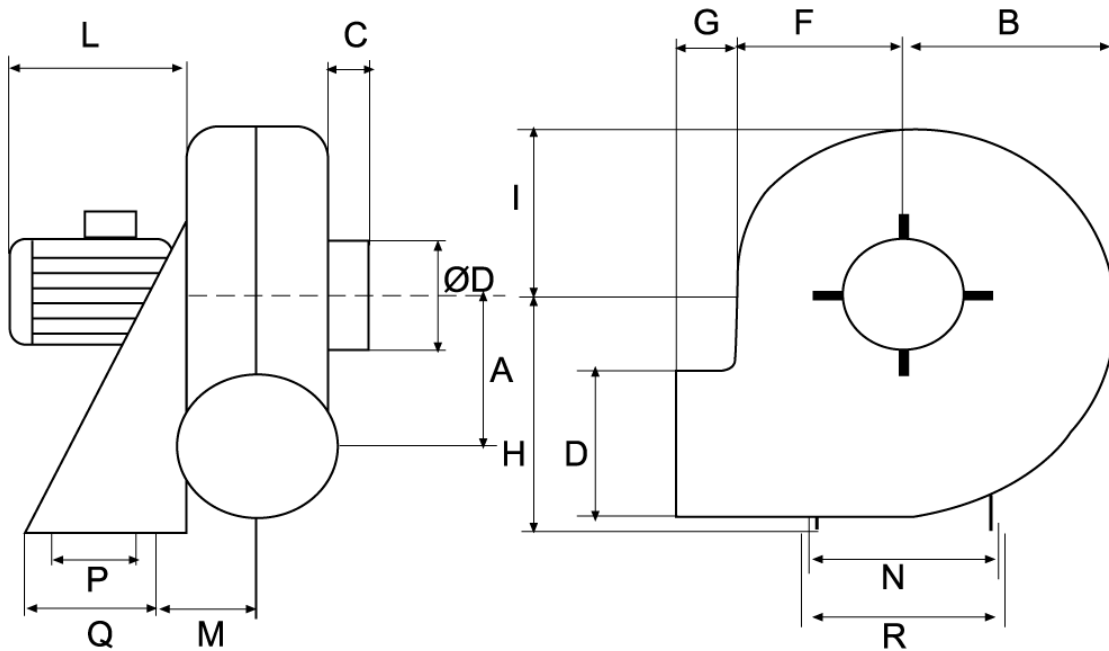
Technical data

| | |
|-------------------------|------|
| Impeller rpm | 2900 |
| Motor rpm | 2900 |
| Approx. weight(kg) | 49 |
| Maximum flow rate(m3/h) | 5590 |

| | |
|--------------|-----|
| Power(kW) | 5,5 |
| Imax 230V(A) | - |
| Imax 400V(A) | 11 |
| Imax 690V(A) | 6,3 |

MBPC 40 T2 5,5kW

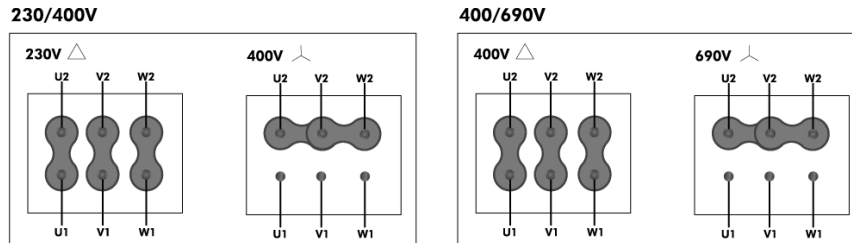
dimensions diagram



Dimensions (mm)

| | | | | | | | | | | | |
|-------|-------|-------|--------|-------|-------|------|-------|-------|-------|-------|-------|
| A=290 | B=380 | C=40 | DØ=250 | E=185 | F=260 | G=80 | H=495 | I=330 | L=365 | M=135 | N=330 |
| P=170 | Q=250 | R=370 | | | | | | | | | |

Wiring diagram



MBPC 40 T4 0,75kW

Series general data MBPC



MANUFACTURING FEATURES:

- PE plastic housing (antistatic PE-el for ATEX units).
- Forward curved impeller in PP plastic.
- Motor support made of rolled steel sheet with epoxy powder finishing coat.
- Stainless steel nuts and bolts.
- Standard asynchronous squirrel-cage motor, IP-55, class F insulation. Standard voltages 230/400V 50Hz.

APPLICATIONS:

- Designed for inline installation, they are suitable for:
- Corrosive air transport.
 - Chemical and petrochemical industry.
 - Laboratories and gas cabinets.
 - Maximum working temperature: 50°C.

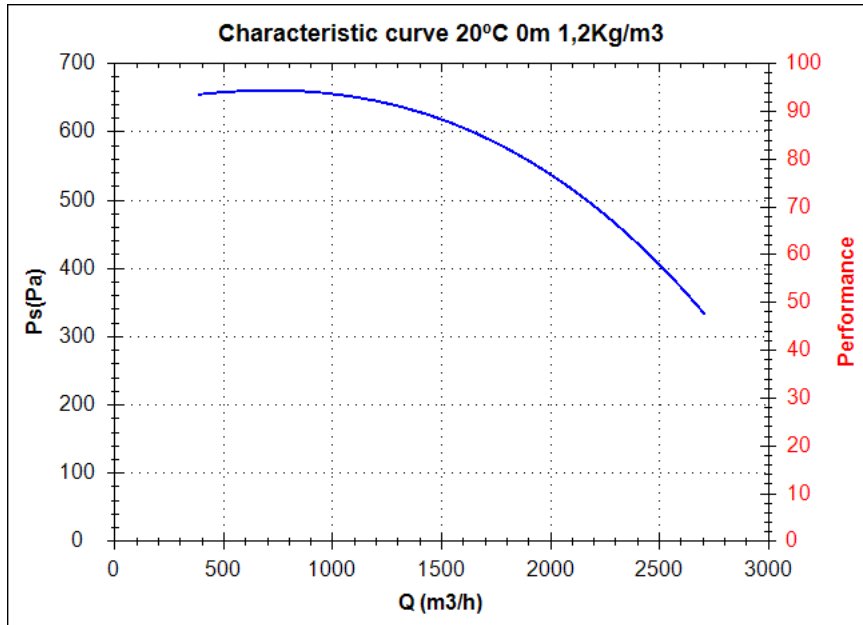
UNDER REQUEST:

- Single phase motors (up to 1,5kW).
- 60Hz fans and special voltages fans.
- 2 speed motors.
- Stainless steel motor support.
- Casing made of PP.

Series accessories MBPC



Characteristic curve



Design point

| | |
|-----------------------|--|
| Q (m ³ /h) | |
| Ps(Pa) | |

Service point

| | |
|-----------------------|--|
| Impeller rpm | |
| Max. temp.(°C) | |
| Q (m ³ /h) | |
| Ps(Pa) | |
| Pd(Pa) | |
| Pt(Pa) | |
| Air speed(m/s) | |

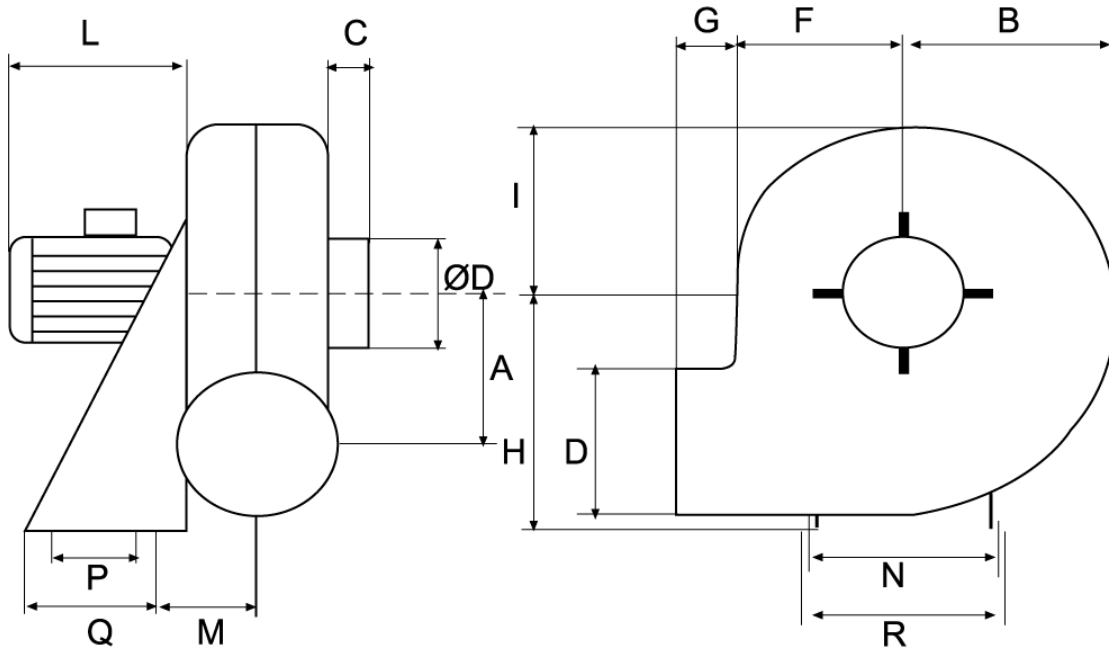
Technical data

| | |
|--------------------------------------|------|
| Impeller rpm | 1400 |
| Motor rpm | 1400 |
| Approx. weight(kg) | 31 |
| Maximum flow rate(m ³ /h) | 2710 |

| | |
|--------------|------|
| Power(kW) | 0,75 |
| Imax 230V(A) | 3,48 |
| Imax 400V(A) | 2,01 |
| Imax 690V(A) | - |

MBPC 40 T4 0,75kW

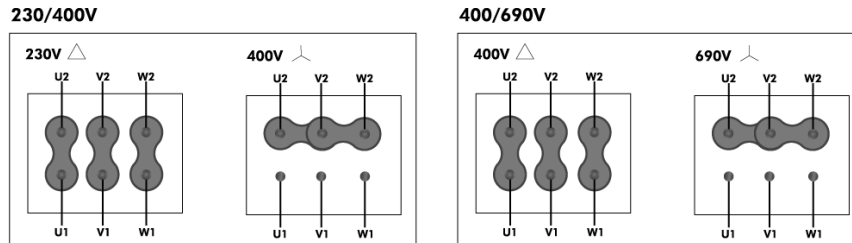
dimensions diagram



Dimensions (mm)

| | | | | | | | | | | | |
|-------|-------|-------|--------|-------|-------|------|-------|-------|-------|-------|-------|
| A=290 | B=380 | C=40 | DØ=250 | E=185 | F=260 | G=80 | H=495 | I=330 | L=225 | M=135 | N=330 |
| P=170 | Q=250 | R=370 | | | | | | | | | |

Wiring diagram



MBPC 40 T6 0,25kW

Series general data MBPC



MANUFACTURING FEATURES:

- PE plastic housing (antistatic PE-el for ATEX units).
- Forward curved impeller in PP plastic.
- Motor support made of rolled steel sheet with epoxy powder finishing coat.
- Stainless steel nuts and bolts.
- Standard asynchronous squirrel-cage motor, IP-55, class F insulation. Standard voltages 230/400V 50Hz.

APPLICATIONS:

Designed for inline installation, they are suitable for:

- Corrosive air transport.
- Chemical and petrochemical industry.
- Laboratories and gas cabinets.
- Maximum working temperature: 50°C.

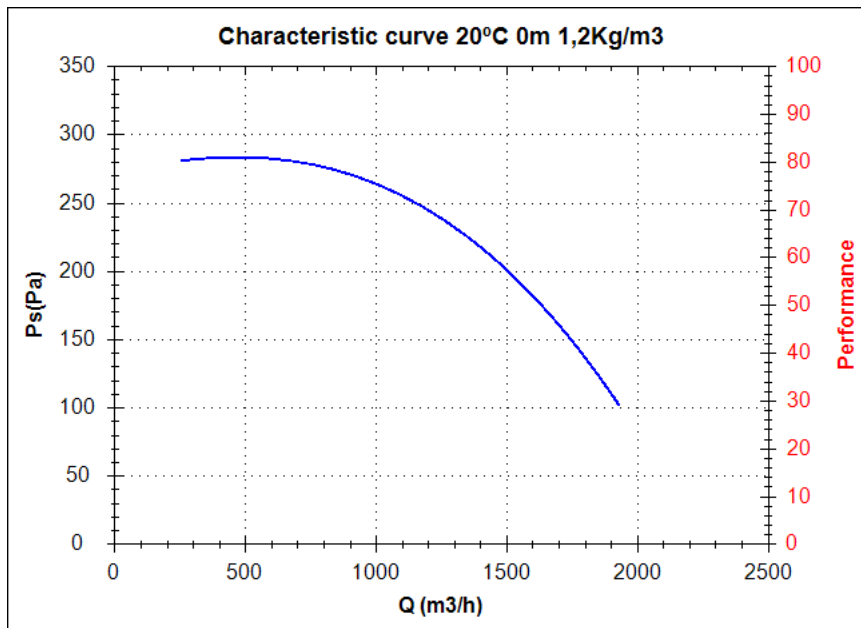
UNDER REQUEST:

- Single phase motors (up to 1,5kW).
- 60Hz fans and special voltages fans.
- 2 speed motors.
- Stainless steel motor support.
- Casing made of PP.

Series accessories MBPC



Characteristic curve



Design point

| | |
|-----------------------|--|
| Q (m ³ /h) | |
| Ps(Pa) | |

Service point

| | |
|-----------------------|--|
| Impeller rpm | |
| Max. temp.(°C) | |
| Q (m ³ /h) | |
| Ps(Pa) | |
| Pd(Pa) | |
| Pt(Pa) | |
| Air speed(m/s) | |

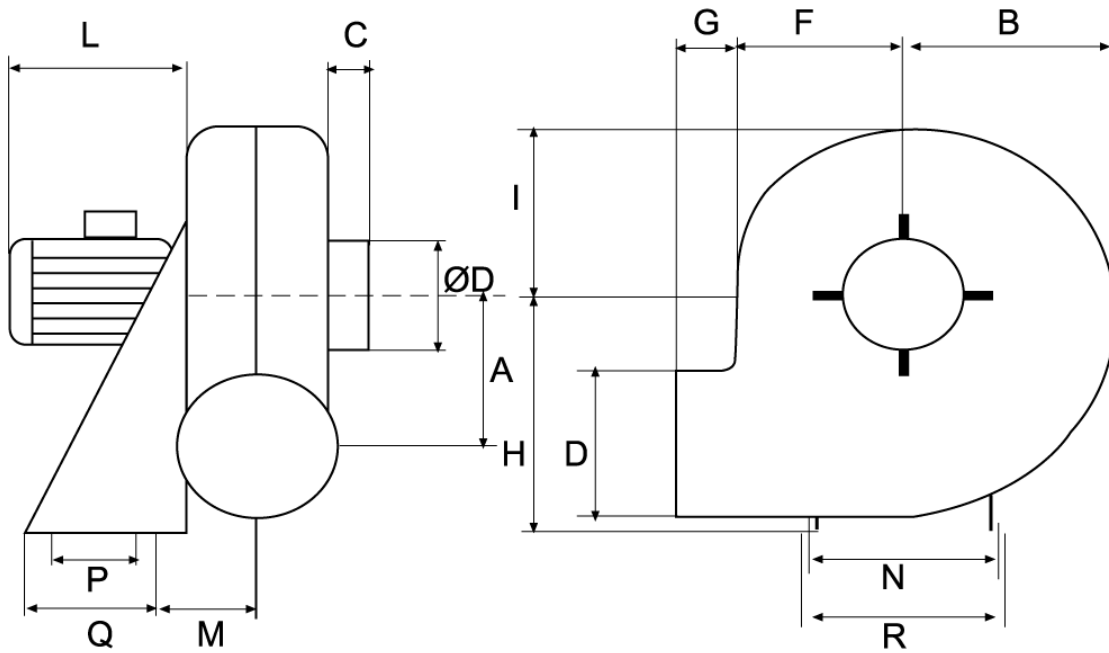
Technical data

| | |
|--------------------------------------|------|
| Impeller rpm | 900 |
| Motor rpm | 900 |
| Approx. weight(kg) | 28 |
| Maximum flow rate(m ³ /h) | 1930 |

| | |
|--------------|------|
| Power(kW) | 0,25 |
| Imax 230V(A) | 1,51 |
| Imax 400V(A) | 0,87 |
| Imax 690V(A) | - |

MBPC 40 T6 0,25kW

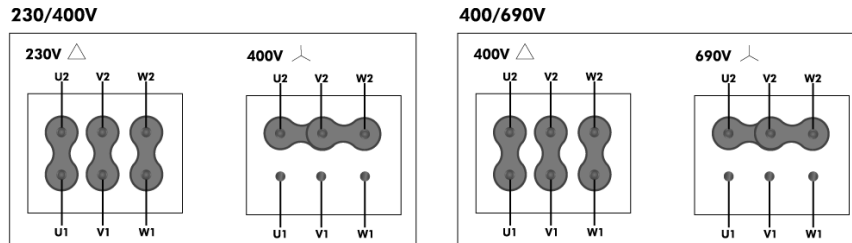
dimensions diagram



Dimensions (mm)

| | | | | | | | | | | | |
|-------|-------|-------|--------|-------|-------|------|-------|-------|-------|-------|-------|
| A=290 | B=380 | C=40 | DØ=250 | E=185 | F=260 | G=80 | H=495 | I=330 | L=205 | M=135 | N=330 |
| P=170 | Q=250 | R=370 | | | | | | | | | |

Wiring diagram



MBPC 45 T4 1,1kW

Series general data MBPC



MANUFACTURING FEATURES:

- PE plastic housing (antistatic PE-el for ATEX units).
- Forward curved impeller in PP plastic.
- Motor support made of rolled steel sheet with epoxy powder finishing coat.
- Stainless steel nuts and bolts.
- Standard asynchronous squirrel-cage motor, IP-55, class F insulation. Standard voltages 230/400V 50Hz.

APPLICATIONS:

Designed for inline installation, they are suitable for:

- Corrosive air transport.
- Chemical and petrochemical industry.
- Laboratories and gas cabinets.
- Maximum working temperature: 50°C.

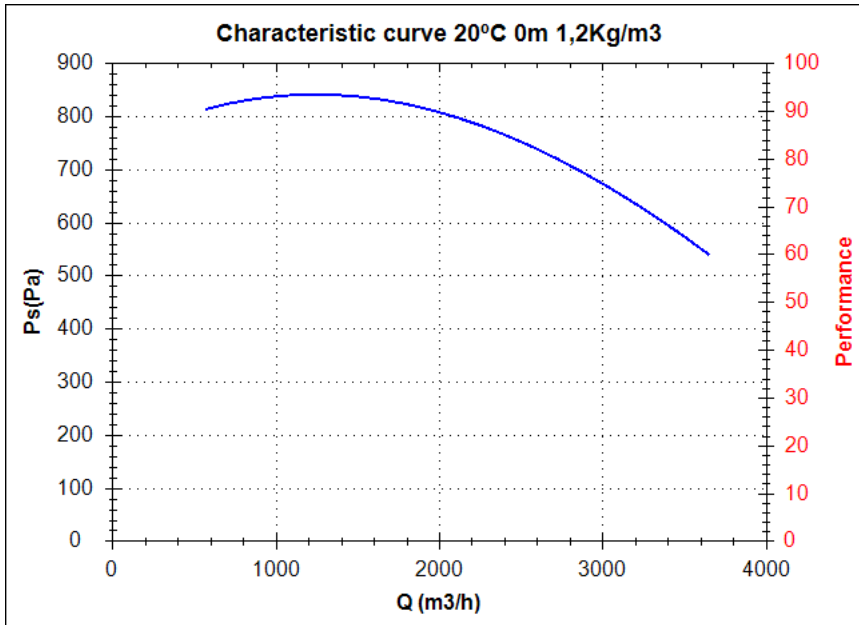
UNDER REQUEST:

- Single phase motors (up to 1,5kW).
- 60Hz fans and special voltages fans.
- 2 speed motors.
- Stainless steel motor support.
- Casing made of PP.

Series accessories MBPC



Characteristic curve



Design point

| | |
|-----------------------|--|
| Q (m ³ /h) | |
| Ps(Pa) | |

Service point

| | |
|-----------------------|--|
| Impeller rpm | |
| Max. temp.(°C) | |
| Q (m ³ /h) | |
| Ps(Pa) | |
| Pd(Pa) | |
| Pt(Pa) | |
| Air speed(m/s) | |

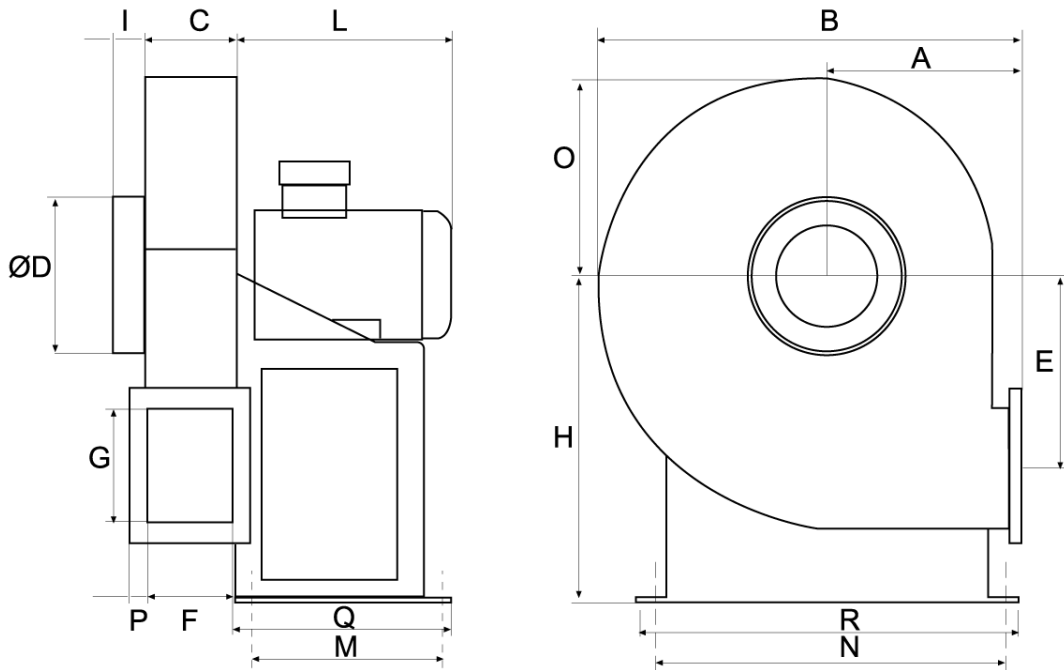
Technical data

| | |
|--------------------------------------|------|
| Impeller rpm | 1400 |
| Motor rpm | 1400 |
| Approx. weight(kg) | 65 |
| Maximum flow rate(m ³ /h) | 3650 |

| | |
|--------------|------|
| Power(kW) | 1,1 |
| Imax 230V(A) | 4,74 |
| Imax 400V(A) | 2,75 |
| Imax 690V(A) | - |

MBPC 45 T4 1,1kW

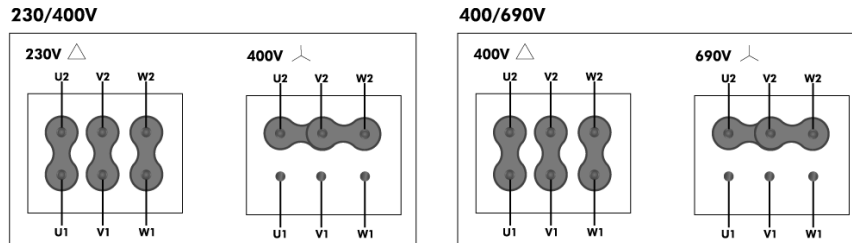
dimensions diagram



Dimensions (mm)

| | | | | | | | | | | | |
|-------|-------|-------|--------|-------|-------|-------|-------|------|-------|-------|-------|
| A=340 | B=722 | C=220 | DØ=280 | E=292 | F=200 | G=300 | H=550 | I=50 | L=260 | M=170 | N=370 |
| O=350 | P=40 | Q=250 | R=410 | | | | | | | | |

Wiring diagram



MBPC 45 T6 0,37kW

Series general data MBPC



MANUFACTURING FEATURES:

- PE plastic housing (antistatic PE-el for ATEX units).
- Forward curved impeller in PP plastic.
- Motor support made of rolled steel sheet with epoxy powder finishing coat.
- Stainless steel nuts and bolts.
- Standard asynchronous squirrel-cage motor, IP-55, class F insulation. Standard voltages 230/400V 50Hz.

APPLICATIONS:

- Designed for inline installation, they are suitable for:
- Corrosive air transport.
 - Chemical and petrochemical industry.
 - Laboratories and gas cabinets.
 - Maximum working temperature: 50°C.

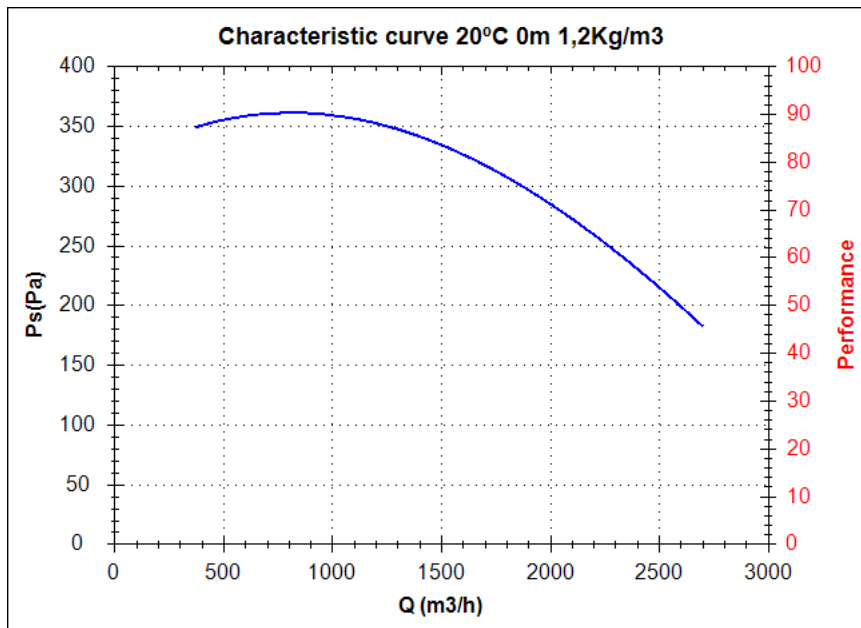
UNDER REQUEST:

- Single phase motors (up to 1,5kW).
- 60Hz fans and special voltages fans.
- 2 speed motors.
- Stainless steel motor support.
- Casing made of PP.

Series accessories MBPC



Characteristic curve



Design point

| | |
|-----------------------|--|
| Q (m ³ /h) | |
| Ps(Pa) | |

Service point

| | |
|-----------------------|--|
| Impeller rpm | |
| Max. temp.(°C) | |
| Q (m ³ /h) | |
| Ps(Pa) | |
| Pd(Pa) | |
| Pt(Pa) | |
| Air speed(m/s) | |

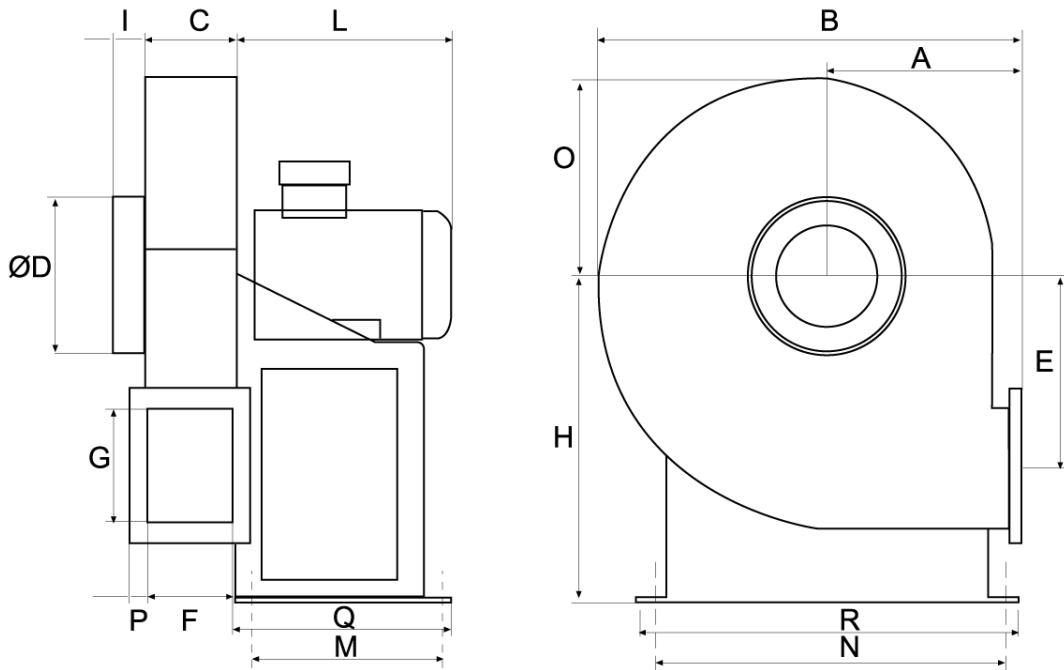
Technical data

| | |
|--------------------------------------|------|
| Impeller rpm | 900 |
| Motor rpm | 900 |
| Approx. weight(kg) | 65 |
| Maximum flow rate(m ³ /h) | 2700 |

| | |
|--------------|------|
| Power(kW) | 0,37 |
| Imax 230V(A) | 2,13 |
| Imax 400V(A) | 1,23 |
| Imax 690V(A) | - |

MBPC 45 T6 0,37kW

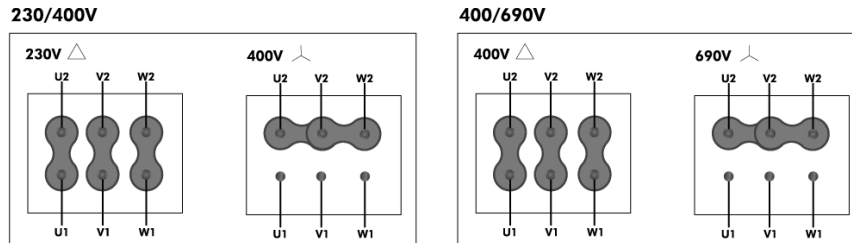
dimensions diagram



Dimensions (mm)

| | | | | | | | | | | | |
|-------|-------|-------|--------|-------|-------|-------|-------|------|-------|-------|-------|
| A=340 | B=722 | C=220 | DØ=280 | E=292 | F=200 | G=300 | H=550 | I=50 | L=260 | M=170 | N=370 |
| O=350 | P=40 | Q=250 | R=410 | | | | | | | | |

Wiring diagram



MBPC 50 T4 2,2kW

Series general data MBPC



MANUFACTURING FEATURES:

- PE plastic housing (antistatic PE-el for ATEX units).
- Forward curved impeller in PP plastic.
- Motor support made of rolled steel sheet with epoxy powder finishing coat.
- Stainless steel nuts and bolts.
- Standard asynchronous squirrel-cage motor, IP-55, class F insulation. Standard voltages 230/400V 50Hz.

APPLICATIONS:

- Designed for inline installation, they are suitable for:
- Corrosive air transport.
 - Chemical and petrochemical industry.
 - Laboratories and gas cabinets.
 - Maximum working temperature: 50°C.

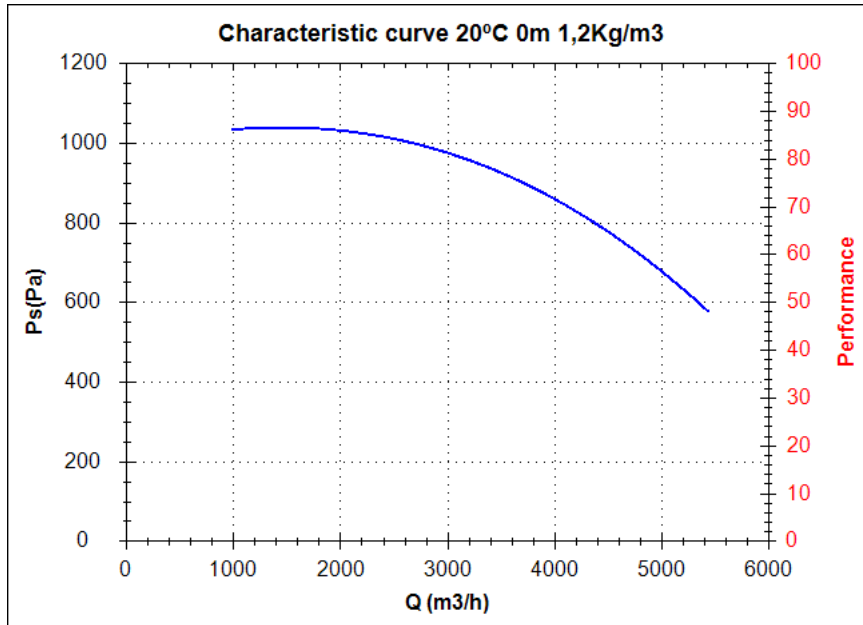
UNDER REQUEST:

- Single phase motors (up to 1,5kW).
- 60Hz fans and special voltages fans.
- 2 speed motors.
- Stainless steel motor support.
- Casing made of PP.

Series accessories MBPC



Characteristic curve



Design point

| | |
|-----------------------|--|
| Q (m ³ /h) | |
| Ps(Pa) | |

Service point

| | |
|-----------------------|--|
| Impeller rpm | |
| Max. temp.(°C) | |
| Q (m ³ /h) | |
| Ps(Pa) | |
| Pd(Pa) | |
| Pt(Pa) | |
| Air speed(m/s) | |

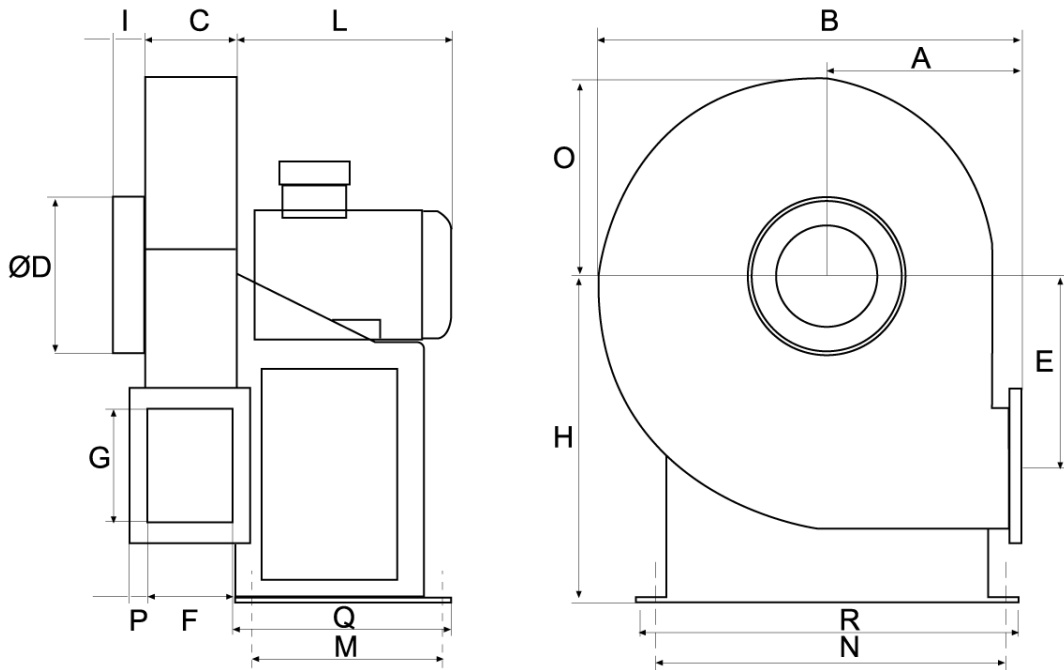
Technical data

| | |
|--------------------------------------|------|
| Impeller rpm | 1430 |
| Motor rpm | 1430 |
| Approx. weight(kg) | 100 |
| Maximum flow rate(m ³ /h) | 5440 |

| | |
|--------------|------|
| Power(kW) | 2,2 |
| Imax 230V(A) | 8,06 |
| Imax 400V(A) | 5 |
| Imax 690V(A) | - |

MBPC 50 T4 2,2kW

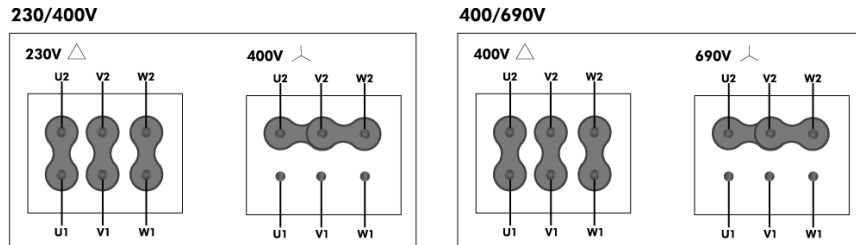
dimensions diagram



Dimensions (mm)

| | | | | | | | | | | | |
|-------|-------|-------|--------|-------|-------|-------|-------|------|-------|-------|-------|
| A=400 | B=890 | C=270 | DØ=315 | E=377 | F=250 | G=366 | H=630 | I=50 | L=355 | M=197 | N=290 |
| O=395 | P=50 | Q=275 | R=340 | | | | | | | | |

Wiring diagram



MBPC 50 T6 0,75kW

Series general data MBPC



MANUFACTURING FEATURES:

- PE plastic housing (antistatic PE-el for ATEX units).
- Forward curved impeller in PP plastic.
- Motor support made of rolled steel sheet with epoxy powder finishing coat.
- Stainless steel nuts and bolts.
- Standard asynchronous squirrel-cage motor, IP-55, class F insulation. Standard voltages 230/400V 50Hz.

APPLICATIONS:

Designed for inline installation, they are suitable for:

- Corrosive air transport.
- Chemical and petrochemical industry.
- Laboratories and gas cabinets.
- Maximum working temperature: 50°C.

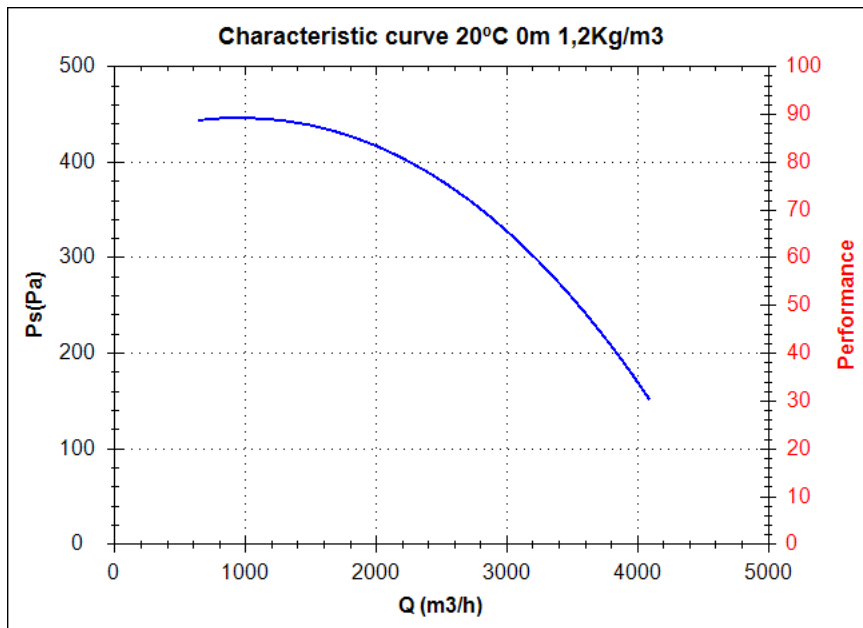
UNDER REQUEST:

- Single phase motors (up to 1,5kW).
- 60Hz fans and special voltages fans.
- 2 speed motors.
- Stainless steel motor support.
- Casing made of PP.

Series accessories MBPC



Characteristic curve



Design point

| | |
|-----------------------|--|
| Q (m ³ /h) | |
| Ps(Pa) | |

Service point

| | |
|-----------------------|--|
| Impeller rpm | |
| Max. temp.(°C) | |
| Q (m ³ /h) | |
| Ps(Pa) | |
| Pd(Pa) | |
| Pt(Pa) | |
| Air speed(m/s) | |

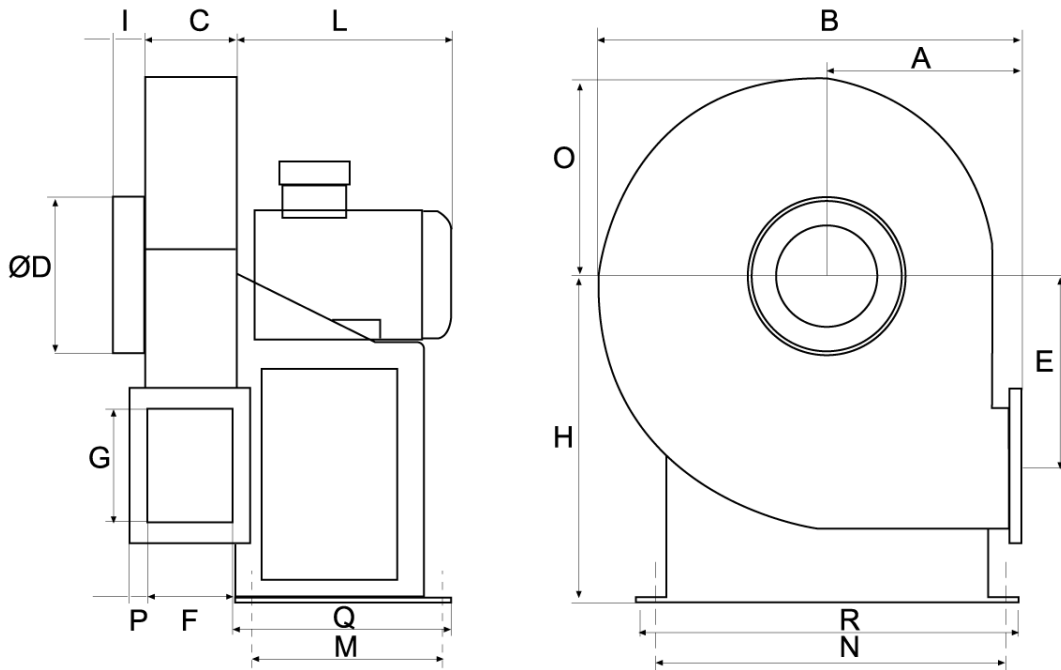
Technical data

| | |
|--------------------------------------|------|
| Impeller rpm | 910 |
| Motor rpm | 910 |
| Approx. weight(kg) | 90 |
| Maximum flow rate(m ³ /h) | 4090 |

| | |
|--------------|------|
| Power(kW) | 0,75 |
| Imax 230V(A) | 4 |
| Imax 400V(A) | 2,3 |
| Imax 690V(A) | - |

MBPC 50 T6 0,75kW

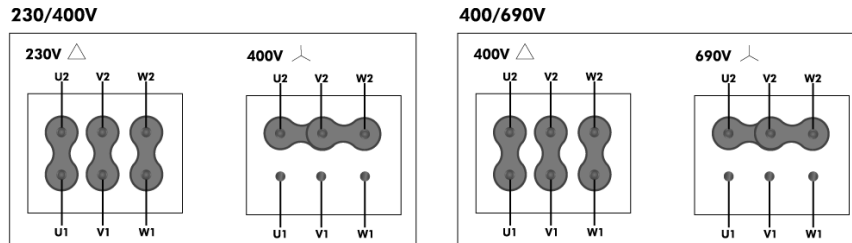
dimensions diagram



Dimensions (mm)

| | | | | | | | | | | | |
|-------|-------|-------|--------|-------|-------|-------|-------|------|-------|-------|-------|
| A=400 | B=890 | C=270 | DØ=315 | E=377 | F=250 | G=366 | H=630 | I=50 | L=320 | M=197 | N=290 |
| O=395 | P=50 | Q=275 | R=340 | | | | | | | | |

Wiring diagram



MBPC 56 T4 5,5kW

Series general data MBPC



MANUFACTURING FEATURES:

- PE plastic housing (antistatic PE-el for ATEX units).
- Forward curved impeller in PP plastic.
- Motor support made of rolled steel sheet with epoxy powder finishing coat.
- Stainless steel nuts and bolts.
- Standard asynchronous squirrel-cage motor, IP-55, class F insulation. Standard voltages 230/400V 50Hz.

APPLICATIONS:

Designed for inline installation, they are suitable for:

- Corrosive air transport.
- Chemical and petrochemical industry.
- Laboratories and gas cabinets.
- Maximum working temperature: 50°C.

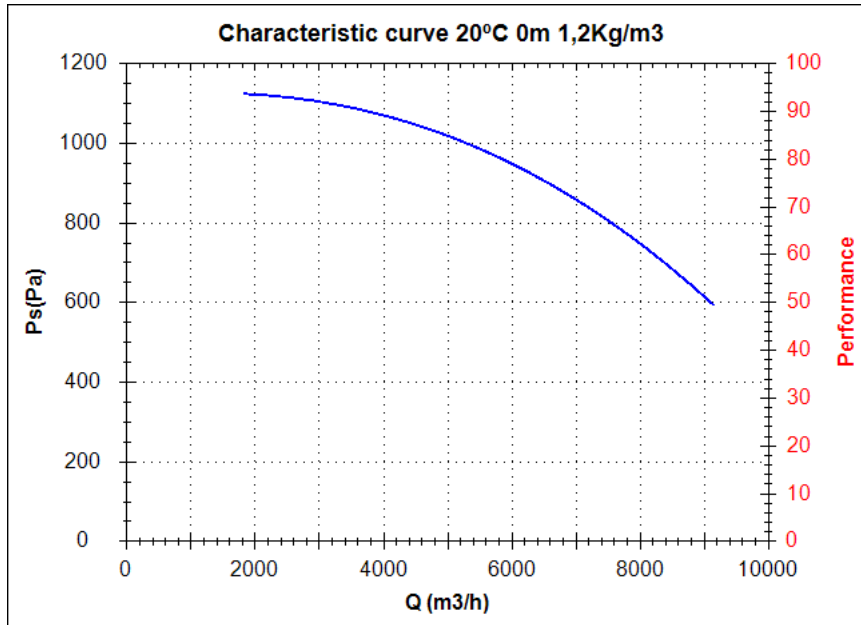
UNDER REQUEST:

- Single phase motors (up to 1,5kW).
- 60Hz fans and special voltages fans.
- 2 speed motors.
- Stainless steel motor support.
- Casing made of PP.

Series accessories MBPC



Characteristic curve



Design point

| | |
|-----------------------|--|
| Q (m ³ /h) | |
| Ps(Pa) | |

Service point

| | |
|-----------------------|--|
| Impeller rpm | |
| Max. temp.(°C) | |
| Q (m ³ /h) | |
| Ps(Pa) | |
| Pd(Pa) | |
| Pt(Pa) | |
| Air speed(m/s) | |

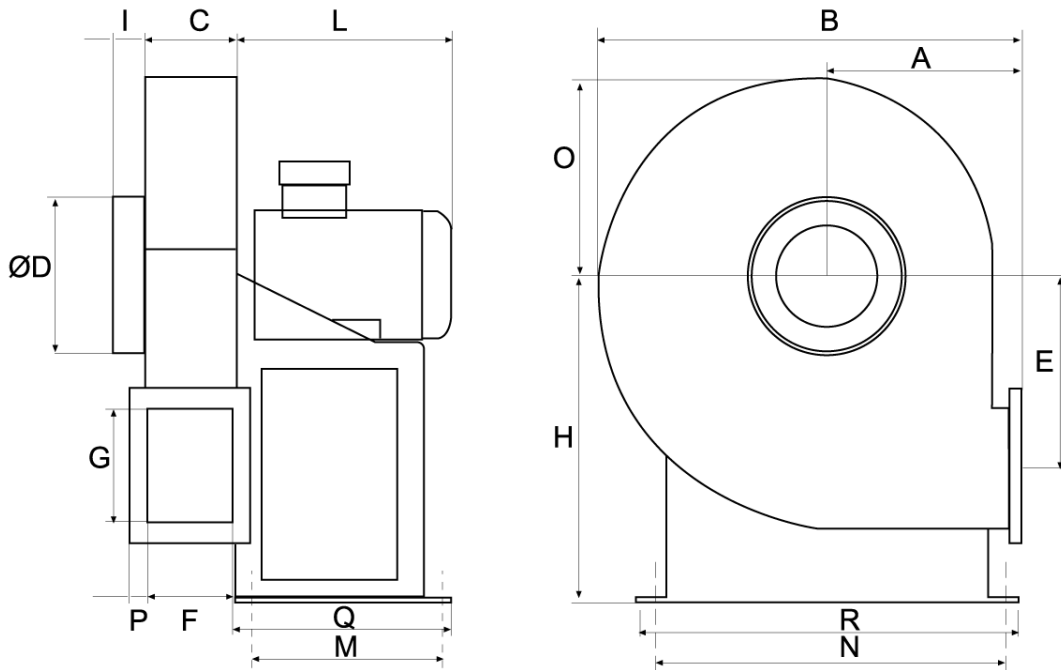
Technical data

| | |
|--------------------------------------|------|
| Impeller rpm | 1440 |
| Motor rpm | 1440 |
| Approx. weight(kg) | 115 |
| Maximum flow rate(m ³ /h) | 9150 |

| | |
|--------------|-----|
| Power(kW) | 5,5 |
| Imax 230V(A) | - |
| Imax 400V(A) | 12 |
| Imax 690V(A) | 6,9 |

MBPC 56 T4 5,5kW

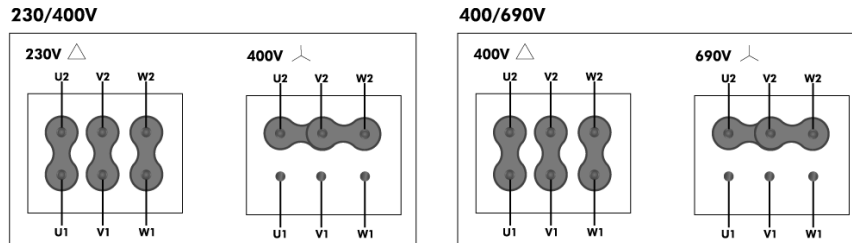
dimensions diagram



Dimensions (mm)

| | | | | | | | | | | | |
|-------|-------|-------|--------|-------|-------|-------|-------|------|-------|-------|-------|
| A=438 | B=998 | C=320 | DØ=400 | E=416 | F=300 | G=466 | H=710 | I=50 | L=480 | M=237 | N=289 |
| O=445 | P=50 | Q=315 | R=340 | | | | | | | | |

Wiring diagram



MBPC 56 T6 2,2kW

Series general data MBPC



MANUFACTURING FEATURES:

- PE plastic housing (antistatic PE-el for ATEX units).
- Forward curved impeller in PP plastic.
- Motor support made of rolled steel sheet with epoxy powder finishing coat.
- Stainless steel nuts and bolts.
- Standard asynchronous squirrel-cage motor, IP-55, class F insulation. Standard voltages 230/400V 50Hz.

APPLICATIONS:

Designed for inline installation, they are suitable for:

- Corrosive air transport.
- Chemical and petrochemical industry.
- Laboratories and gas cabinets.
- Maximum working temperature: 50°C.

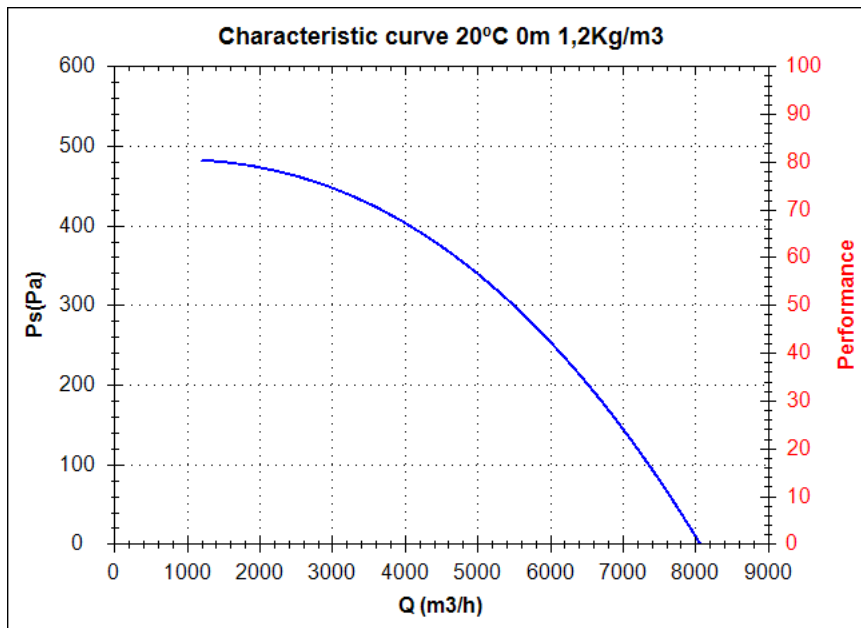
UNDER REQUEST:

- Single phase motors (up to 1,5kW).
- 60Hz fans and special voltages fans.
- 2 speed motors.
- Stainless steel motor support.
- Casing made of PP.

Series accessories MBPC



Characteristic curve



Design point

| | |
|-----------------------|--|
| Q (m ³ /h) | |
| Ps(Pa) | |

Service point

| | |
|-----------------------|--|
| Impeller rpm | |
| Max. temp.(°C) | |
| Q (m ³ /h) | |
| Ps(Pa) | |
| Pd(Pa) | |
| Pt(Pa) | |
| Air speed(m/s) | |

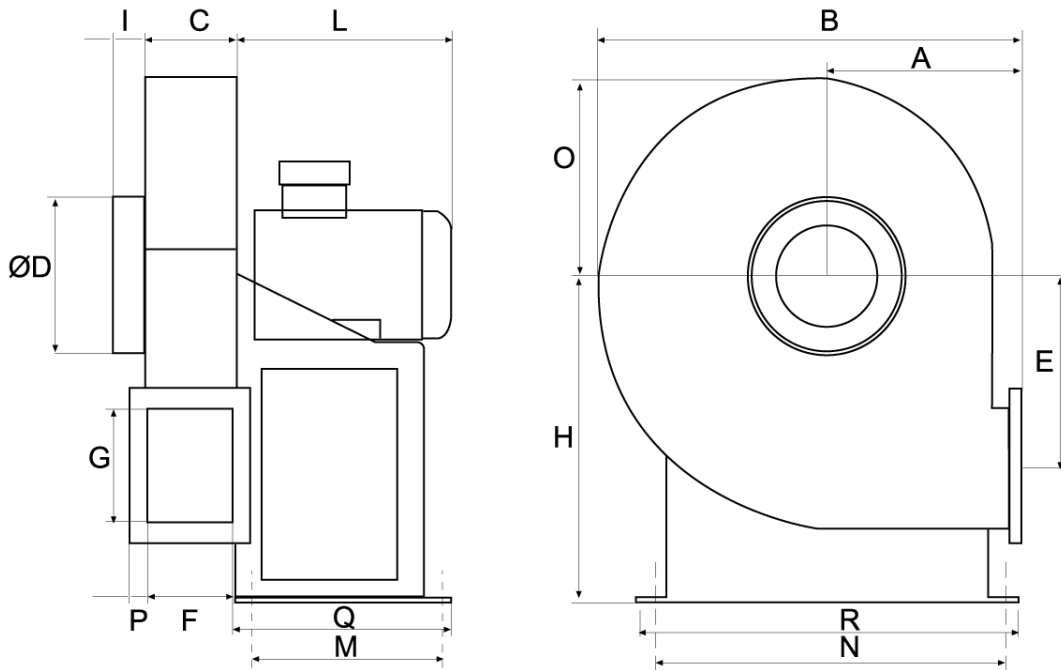
Technical data

| | |
|--------------------------------------|------|
| Impeller rpm | 940 |
| Motor rpm | 940 |
| Approx. weight(kg) | 95 |
| Maximum flow rate(m ³ /h) | 8100 |

| | |
|--------------|-----|
| Power(kW) | 2,2 |
| Imax 230V(A) | 9,7 |
| Imax 400V(A) | 5,6 |
| Imax 690V(A) | - |

MBPC 56 T6 2,2kW

dimensions diagram



Dimensions (mm)

| | | | | | | | | | | | |
|-------|-------|-------|--------|-------|-------|-------|-------|------|-------|-------|-------|
| A=438 | B=998 | C=320 | DØ=400 | E=416 | F=300 | G=466 | H=710 | I=50 | L=380 | M=237 | N=289 |
| O=445 | P=50 | Q=315 | R=340 | | | | | | | | |

Wiring diagram

