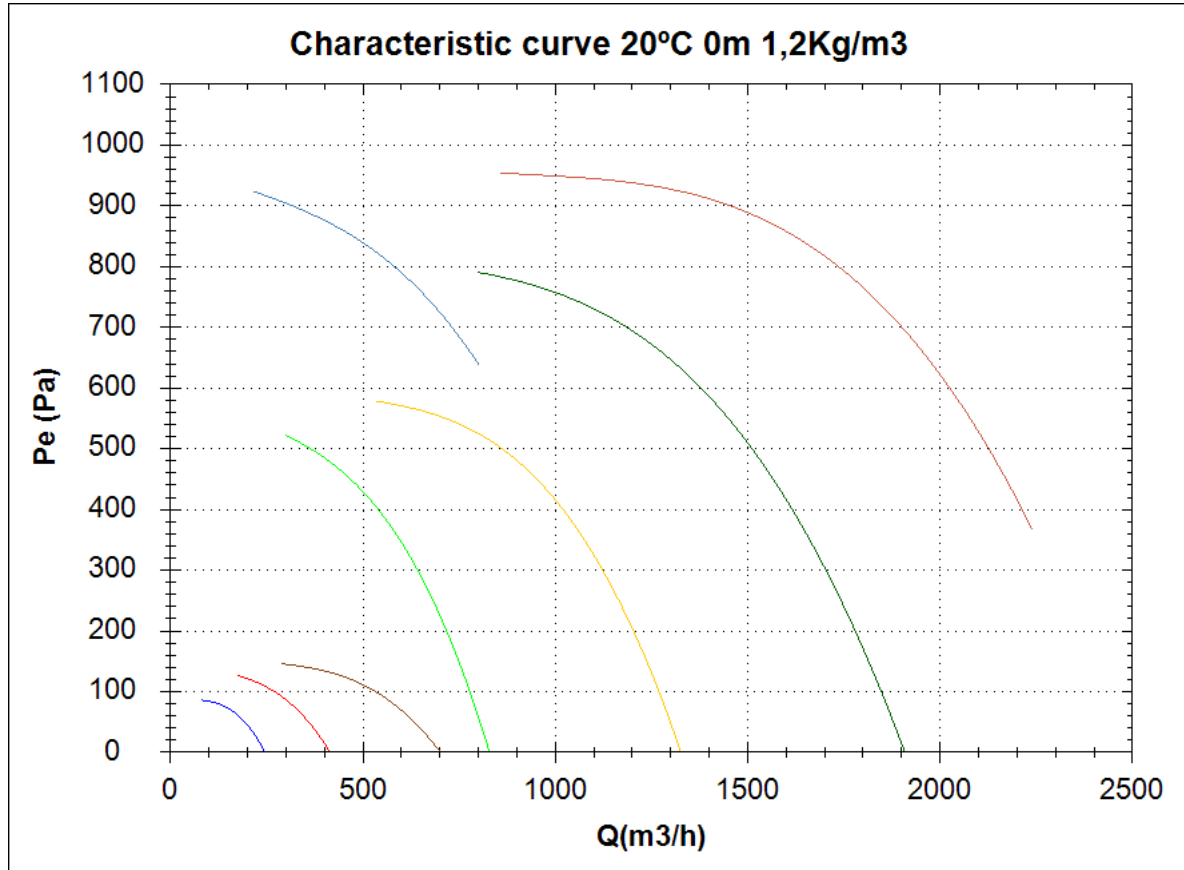










Comparative

Design point

Q (m3/h)	
Ps(Pa)	



		Model	Q(m3/h)	P (Pa)
	1	MB 12/5 T4 0,08kW		
	2	MB 14/5 T2 0,25kW		
	3	MB 14/5 T4 0,08kW		
	4	MB 16/6 T2 0,37kW		
	5	MB 16/6 T4 0,08kW		
	6	MB 18/7 T2 0,75kW		
	7	MB 20/6 T2 0,37kW		
	8	MB 20/8 T2 1,1kW		

MB 12/5 T4 0,08kW

Series general data MB12/5-20/8



MANUFACTURING FEATURES:

- Rolling steel sheet housing.
- Completely joined or welded housing.
- Galvanised steel sheet single inlet forward curved impeller.
- Epoxy powder finishing coat.
- Standard asynchronous squirrel-cage motor with IP-55 protection and Class F insulation. Manufactured with standard voltages: 230V 50Hz in single phase motors and 230/400V 50Hz in three phase motors, up to 5,5HP and 400/690V 50Hz for higher powers.
- Standard position: LG 270.

APPLICATIONS:

- Designed for inline installation, they are suitable for:
- Industrial applications, extraction or injection of air.
 - Cooling of machines and parts.
 - Clean air transport.
 - Maximum working temperature: carried air: 130°C, ambient 1ph 50°C, 3ph 60°C.

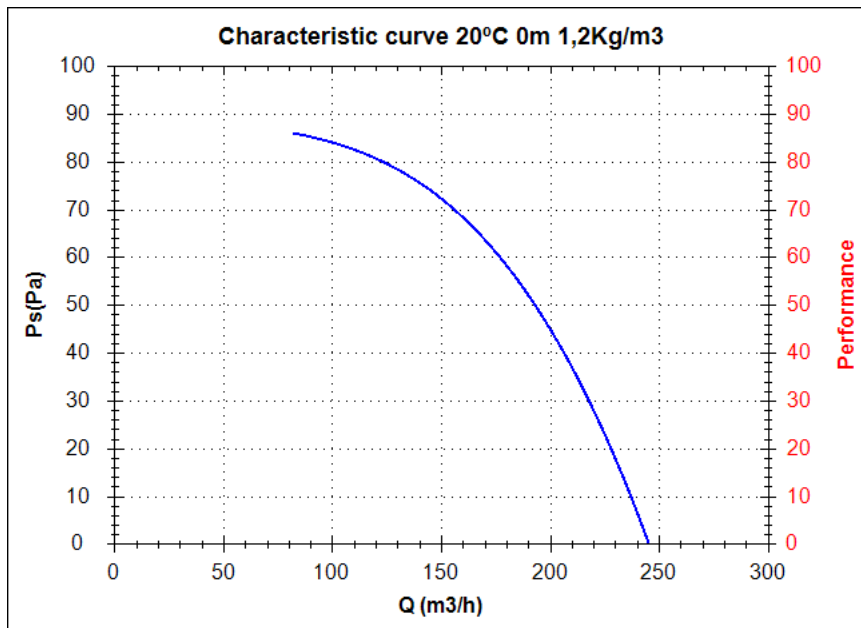
UNDER REQUEST:

- 60Hz fans and special voltages.
- 2 speed motors.
- Fans for air working temperatures up to 250°C.
- Fans provided with cooling disk for high temperature.
- Position: LG 0, LG 45, LG 90, LG 135, LG 180, LG 225, LG 315, RD 0, RD 45, RD 90, RD 135, RD 180, RD 225, RD 270, RD 315.

Series accessories MB12/5-20/8



Characteristic curve



Design point

Q (m ³ /h)	
Ps(Pa)	

Service point

Impeller rpm	
Max. temp.(°C)	
Q (m ³ /h)	
Ps(Pa)	
Pd(Pa)	
Pt(Pa)	
Air speed(m/s)	

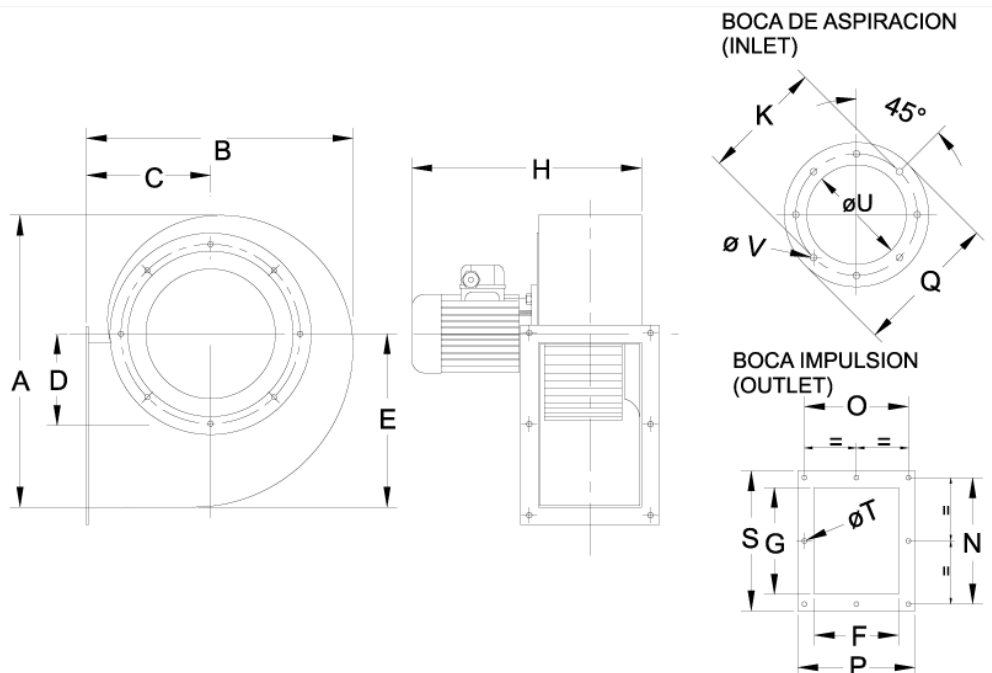
Technical data

Impeller rpm	1400
Motor rpm	
Approx. weight(kg)	5
Maximum flow rate(m ³ /h)	250

Power(kW)	0,08
Imax 230V(A)	0,4
Imax 400V(A)	0,2
Imax 690V(A)	-

MB 12/5 T4 0,08kW

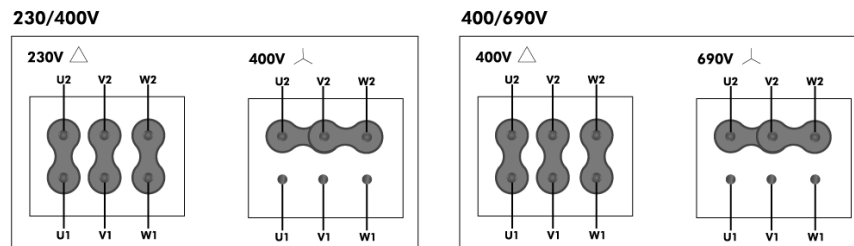
dimensions diagram



Dimensions (mm)

A=203	B=180	C=85	D=67	E=116	F=72	G=85	H=220	K=135	N=105	O=93	P=106
Q=150	S=118	T \varnothing =7	U \varnothing =92,5	V \varnothing =7							

Wiring diagram



MB 14/5 T2 0,25kW

Series general data MB12/5-20/8



MANUFACTURING FEATURES:

- Rolling steel sheet housing.
- Completely joined or welded housing.
- Galvanised steel sheet single inlet forward curved impeller.
- Epoxy powder finishing coat.
- Standard asynchronous squirrel-cage motor with IP-55 protection and Class F insulation. Manufactured with standard voltages: 230V 50Hz in single phase motors and 230/400V 50Hz in three phase motors, up to 5,5HP and 400/690V 50Hz for higher powers.
- Standard position: LG 270.

APPLICATIONS:

- Designed for inline installation, they are suitable for:
- Industrial applications, extraction or injection of air.
 - Cooling of machines and parts.
 - Clean air transport.
 - Maximum working temperature: carried air: 130°C, ambient 1ph 50°C, 3ph 60°C.

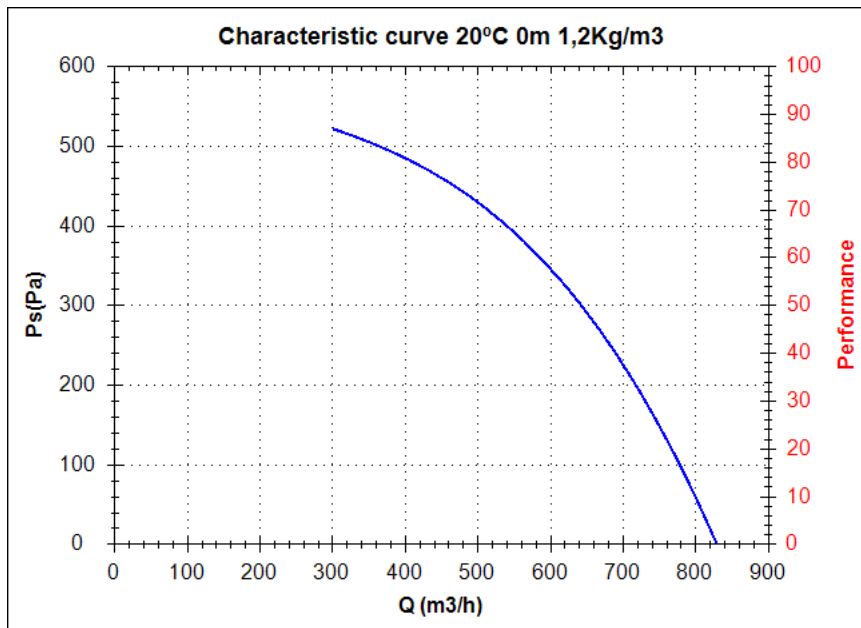
UNDER REQUEST:

- 60Hz fans and special voltages.
- 2 speed motors.
- Fans for air working temperatures up to 250°C.
- Fans provided with cooling disk for high temperature.
- Position: LG 0, LG 45, LG 90, LG 135, LG 180, LG 225, LG 315, RD 0, RD 45, RD 90, RD 135, RD 180, RD 225, RD 270, RD 315.

Series accessories MB12/5-20/8



Characteristic curve



Design point

Q (m3/h)	
Ps(Pa)	

Service point

Impeller rpm	
Max. temp.(°C)	
Q (m3/h)	
Ps(Pa)	
Pd(Pa)	
Pt(Pa)	
Air speed(m/s)	

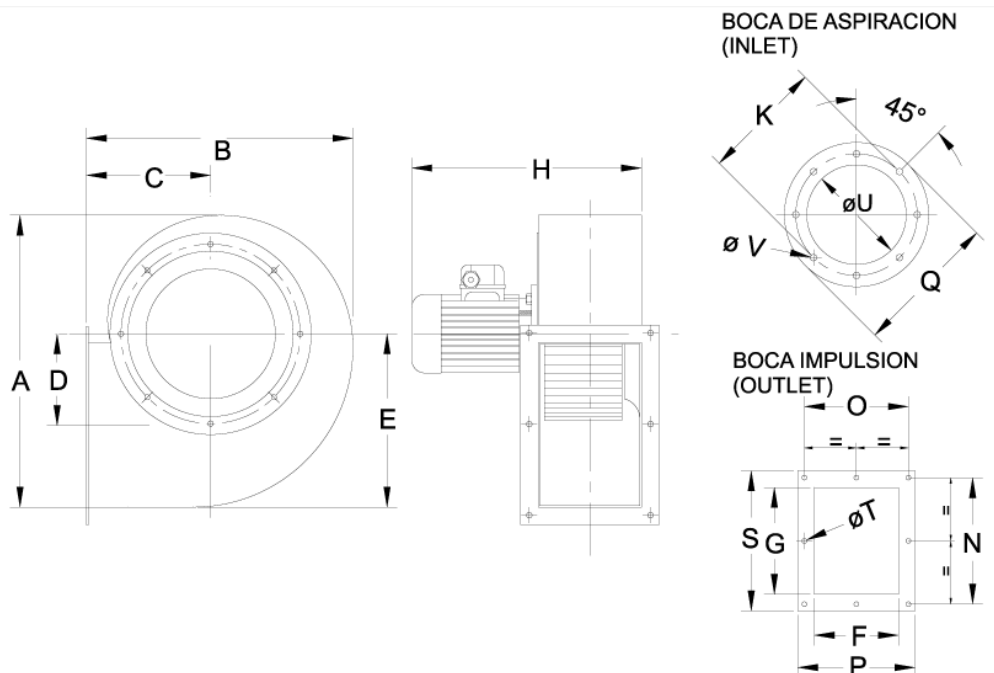
Technical data

Impeller rpm	2800
Motor rpm	
Approx. weight(kg)	7
Maximum flow rate(m3/h)	830

Power(kW)	0,25
Imax 230V(A)	1,17
Imax 400V(A)	1,68
Imax 690V(A)	-

MB 14/5 T2 0,25kW

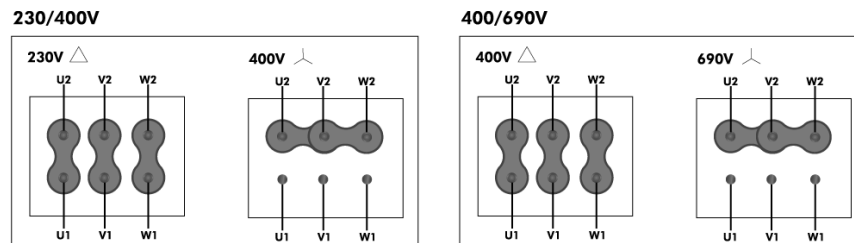
dimensions diagram



Dimensions (mm)

A=249	B=222	C=100	D=91	E=147	F=80	G=105	H=280	K=162	N=128	O=105	P=123
Q=175	S=147	T ϕ =7	U ϕ =105	V ϕ =7							

Wiring diagram



MB 14/5 T4 0,08kW

Series general data MB12/5-20/8



MANUFACTURING FEATURES:

- Rolling steel sheet housing.
- Completely joined or welded housing.
- Galvanised steel sheet single inlet forward curved impeller.
- Epoxy powder finishing coat.
- Standard asynchronous squirrel-cage motor with IP-55 protection and Class F insulation. Manufactured with standard voltages: 230V 50Hz in single phase motors and 230/400V 50Hz in three phase motors, up to 5,5HP and 400/690V 50Hz for higher powers.
- Standard position: LG 270.

APPLICATIONS:

- Designed for inline installation, they are suitable for:
- Industrial applications, extraction or injection of air.
 - Cooling of machines and parts.
 - Clean air transport.
 - Maximum working temperature: carried air: 130°C, ambient 1ph 50°C, 3ph 60°C.

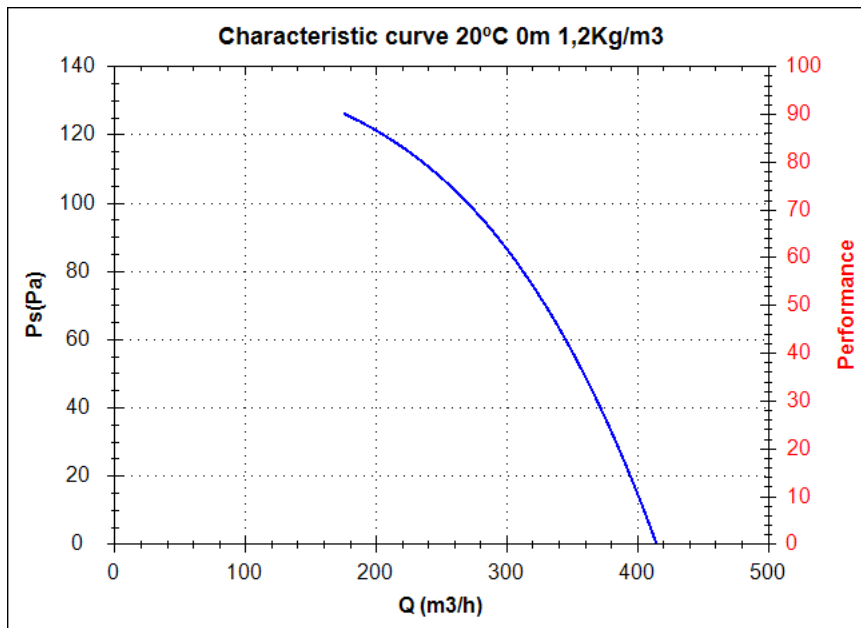
UNDER REQUEST:

- 60Hz fans and special voltages.
- 2 speed motors.
- Fans for air working temperatures up to 250°C.
- Fans provided with cooling disk for high temperature.
- Position: LG 0, LG 45, LG 90, LG 135, LG 180, LG 225, LG 315, RD 0, RD 45, RD 90, RD 135, RD 180, RD 225, RD 270, RD 315.

Series accessories MB12/5-20/8



Characteristic curve



Design point

Q (m3/h)	
Ps(Pa)	

Service point

Impeller rpm	
Max. temp.(°C)	
Q (m3/h)	
Ps(Pa)	
Pd(Pa)	
Pt(Pa)	
Air speed(m/s)	

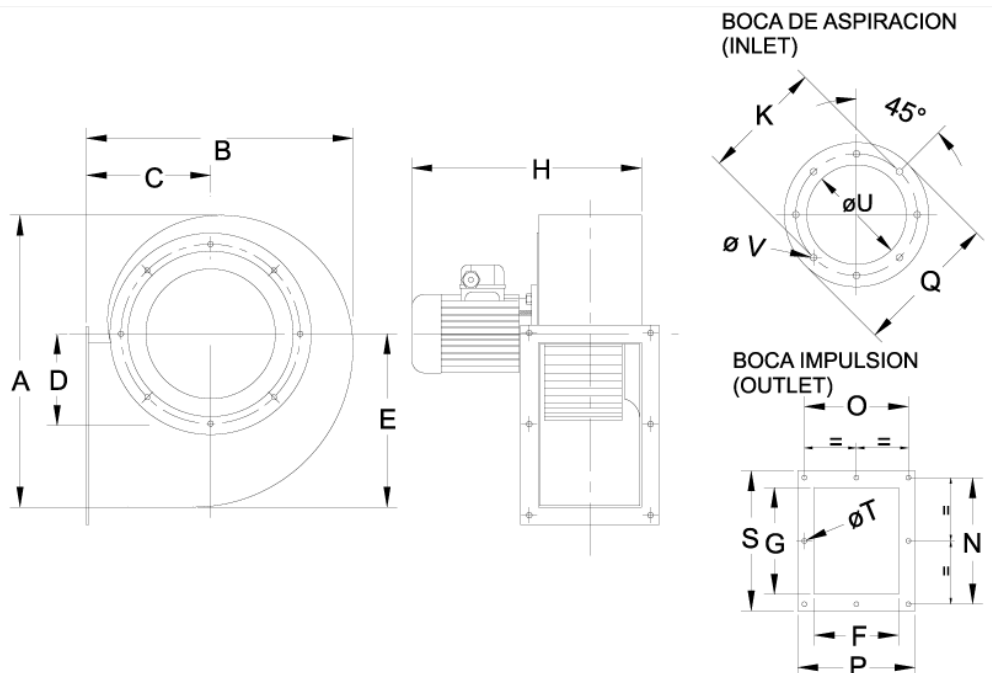
Technical data

Impeller rpm	1360
Motor rpm	
Approx. weight(kg)	6
Maximum flow rate(m3/h)	420

Power(kW)	0,08
Imax 230V(A)	0,4
Imax 400V(A)	0,2
Imax 690V(A)	-

MB 14/5 T4 0,08kW

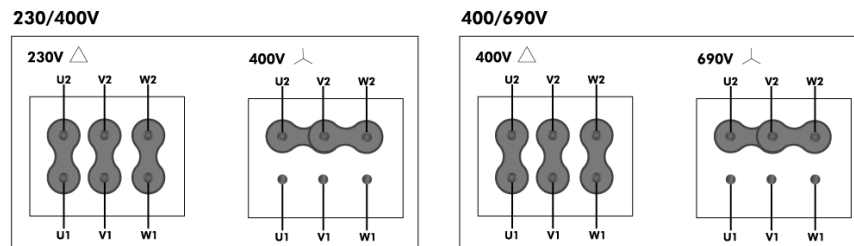
dimensions diagram



Dimensions (mm)

A=249	B=222	C=100	D=91	E=147	F=80	G=105	H=280	K=162	N=128	O=105	P=123
Q=175	S=147	T ϕ =7	U ϕ =105	V ϕ =7							

Wiring diagram



MB 16/6 T2 0,37kW

Series general data MB12/5-20/8



MANUFACTURING FEATURES:

- Rolling steel sheet housing.
- Completely joined or welded housing.
- Galvanised steel sheet single inlet forward curved impeller.
- Epoxy powder finishing coat.
- Standard asynchronous squirrel-cage motor with IP-55 protection and Class F insulation. Manufactured with standard voltages: 230V 50Hz in single phase motors and 230/400V 50Hz in three phase motors, up to 5,5HP and 400/690V 50Hz for higher powers.
- Standard position: LG 270.

APPLICATIONS:

- Designed for inline installation, they are suitable for:
- Industrial applications, extraction or injection of air.
 - Cooling of machines and parts.
 - Clean air transport.
 - Maximum working temperature: carried air: 130°C, ambient 1ph 50°C, 3ph 60°C.

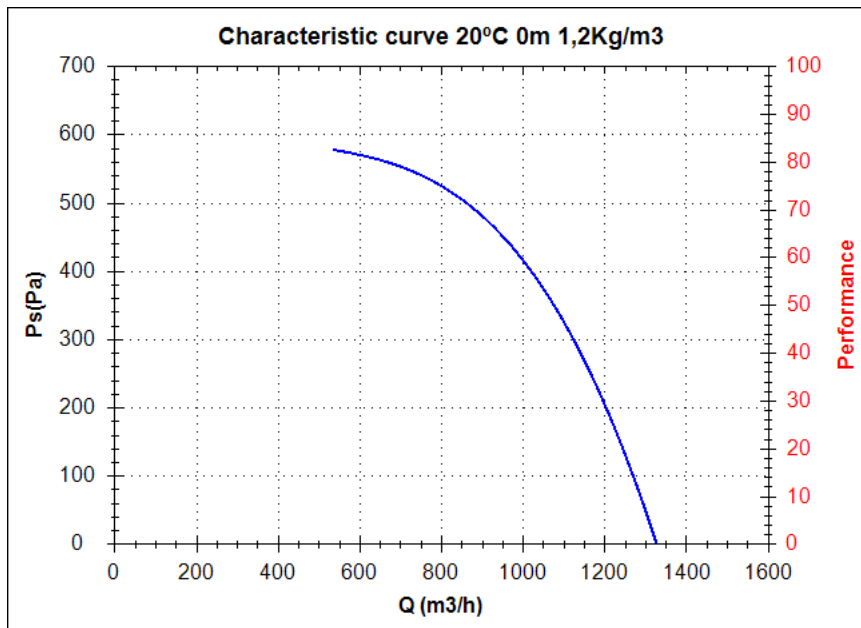
UNDER REQUEST:

- 60Hz fans and special voltages.
- 2 speed motors.
- Fans for air working temperatures up to 250°C.
- Fans provided with cooling disk for high temperature.
- Position: LG 0, LG 45, LG 90, LG 135, LG 180, LG 225, LG 315, RD 0, RD 45, RD 90, RD 135, RD 180, RD 225, RD 270, RD 315.

Series accessories MB12/5-20/8



Characteristic curve



Design point

Q (m3/h)	
Ps(Pa)	

Service point

Impeller rpm	
Max. temp.(°C)	
Q (m3/h)	
Ps(Pa)	
Pd(Pa)	
Pt(Pa)	
Air speed(m/s)	

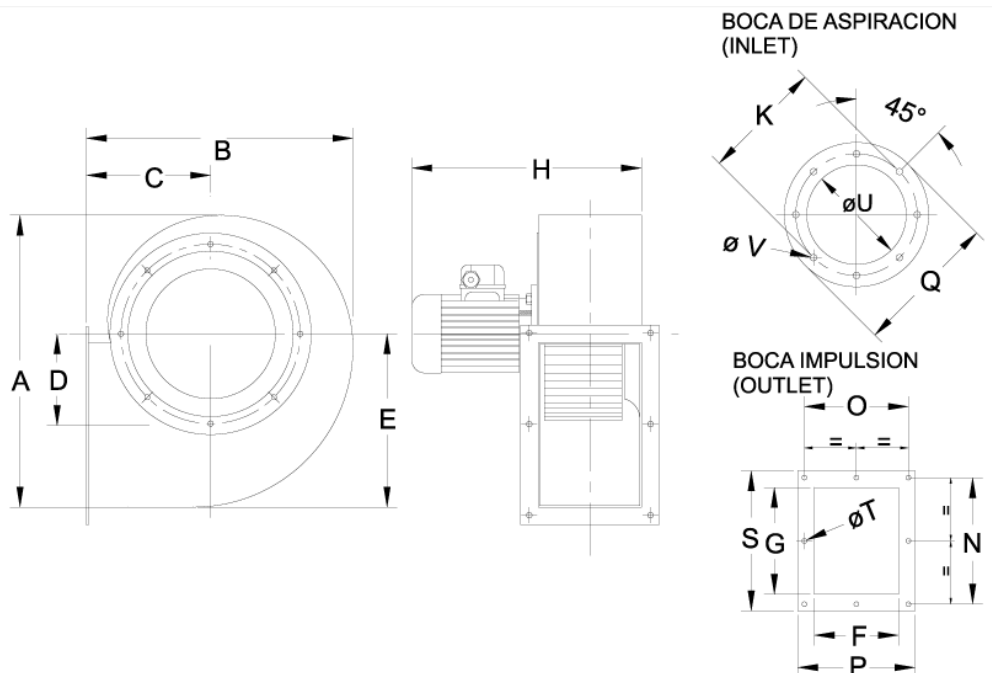
Technical data

Impeller rpm	2800
Motor rpm	
Approx. weight(kg)	9,5
Maximum flow rate(m3/h)	1340

Power(kW)	0,37
Imax 230V(A)	1,65
Imax 400V(A)	0,95
Imax 690V(A)	-

MB 16/6 T2 0,37kW

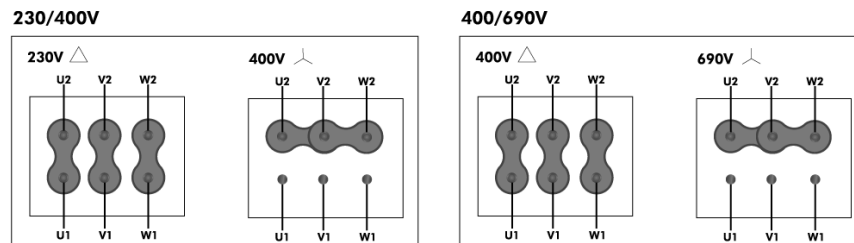
dimensions diagram



Dimensions (mm)

A=293	B=254	C=118	D=107	E=171	F=100	G=120	H=340	K=180	N=147	O=128	P=153
Q=214	S=172	T \varnothing =7	U \varnothing =127	V \varnothing =9							

Wiring diagram



MB 16/6 T4 0,08kW

Series general data MB12/5-20/8



MANUFACTURING FEATURES:

- Rolling steel sheet housing.
- Completely joined or welded housing.
- Galvanised steel sheet single inlet forward curved impeller.
- Epoxy powder finishing coat.
- Standard asynchronous squirrel-cage motor with IP-55 protection and Class F insulation. Manufactured with standard voltages: 230V 50Hz in single phase motors and 230/400V 50Hz in three phase motors, up to 5,5HP and 400/690V 50Hz for higher powers.
- Standard position: LG 270.

APPLICATIONS:

- Designed for inline installation, they are suitable for:
- Industrial applications, extraction or injection of air.
 - Cooling of machines and parts.
 - Clean air transport.
 - Maximum working temperature: carried air: 130°C, ambient 1ph 50°C, 3ph 60°C.

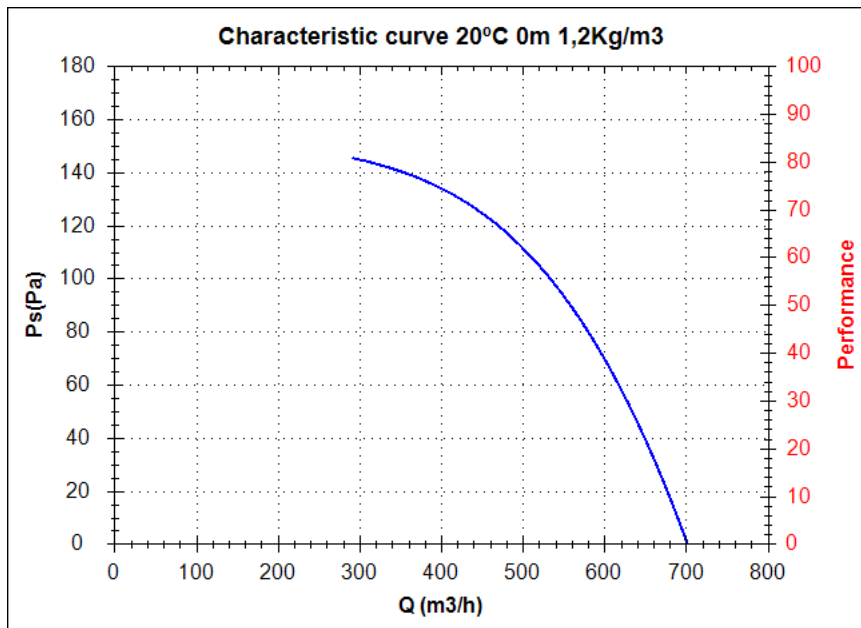
UNDER REQUEST:

- 60Hz fans and special voltages.
- 2 speed motors.
- Fans for air working temperatures up to 250°C.
- Fans provided with cooling disk for high temperature.
- Position: LG 0, LG 45, LG 90, LG 135, LG 180, LG 225, LG 315, RD 0, RD 45, RD 90, RD 135, RD 180, RD 225, RD 270, RD 315.

Series accessories MB12/5-20/8



Characteristic curve



Design point

Q (m3/h)	
Ps(Pa)	

Service point

Impeller rpm	
Max. temp.(°C)	
Q (m3/h)	
Ps(Pa)	
Pd(Pa)	
Pt(Pa)	
Air speed(m/s)	

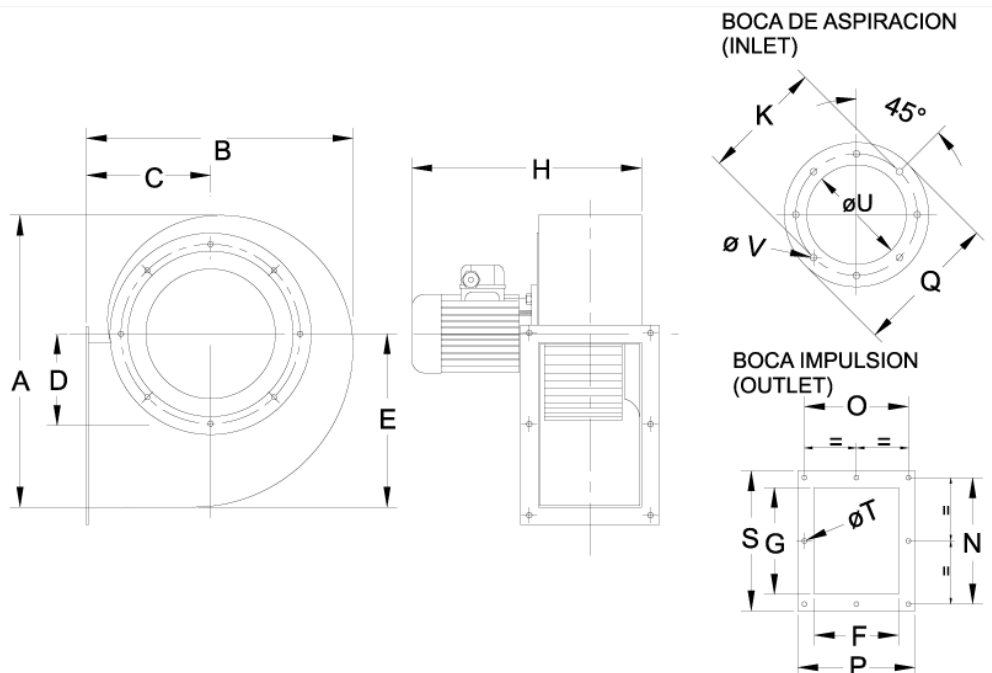
Technical data

Impeller rpm	1400
Motor rpm	
Approx. weight(kg)	7,5
Maximum flow rate(m3/h)	710

Power(kW)	0,08
Imax 230V(A)	0,4
Imax 400V(A)	0,2
Imax 690V(A)	-

MB 16/6 T4 0,08kW

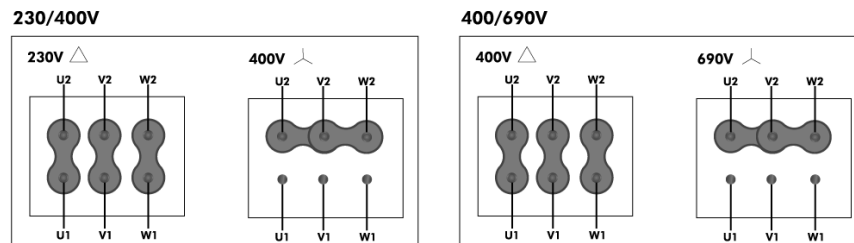
dimensions diagram



Dimensions (mm)

A=293	B=254	C=118	D=107	E=171	F=100	G=120	H=310	K=180	N=147	O=128	P=153
Q=214	S=172	T \varnothing =7	U \varnothing =127	V \varnothing =9							

Wiring diagram



MB 18/7 T2 0,75kW

Series general data MB12/5-20/8



MANUFACTURING FEATURES:

- Rolling steel sheet housing.
- Completely joined or welded housing.
- Galvanised steel sheet single inlet forward curved impeller.
- Epoxy powder finishing coat.
- Standard asynchronous squirrel-cage motor with IP-55 protection and Class F insulation. Manufactured with standard voltages: 230V 50Hz in single phase motors and 230/400V 50Hz in three phase motors, up to 5,5HP and 400/690V 50Hz for higher powers.
- Standard position: LG 270.

APPLICATIONS:

- Designed for inline installation, they are suitable for:
- Industrial applications, extraction or injection of air.
 - Cooling of machines and parts.
 - Clean air transport.
 - Maximum working temperature: carried air: 130°C, ambient 1ph 50°C, 3ph 60°C.

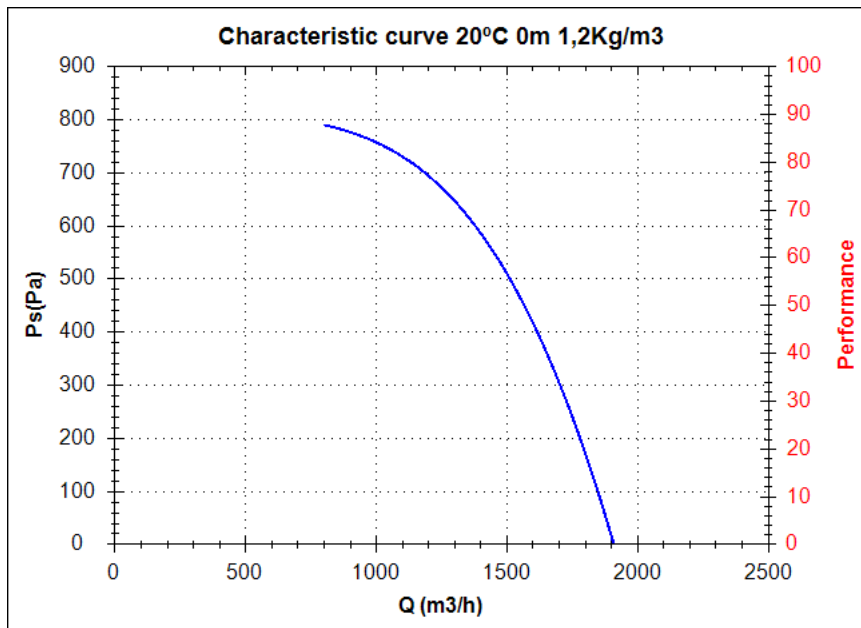
UNDER REQUEST:

- 60Hz fans and special voltages.
- 2 speed motors.
- Fans for air working temperatures up to 250°C.
- Fans provided with cooling disk for high temperature.
- Position: LG 0, LG 45, LG 90, LG 135, LG 180, LG 225, LG 315, RD 0, RD 45, RD 90, RD 135, RD 180, RD 225, RD 270, RD 315.

Series accessories MB12/5-20/8



Characteristic curve



Design point

Q (m3/h)	
Ps(Pa)	

Service point

Impeller rpm	
Max. temp.(°C)	
Q (m3/h)	
Ps(Pa)	
Pd(Pa)	
Pt(Pa)	
Air speed(m/s)	

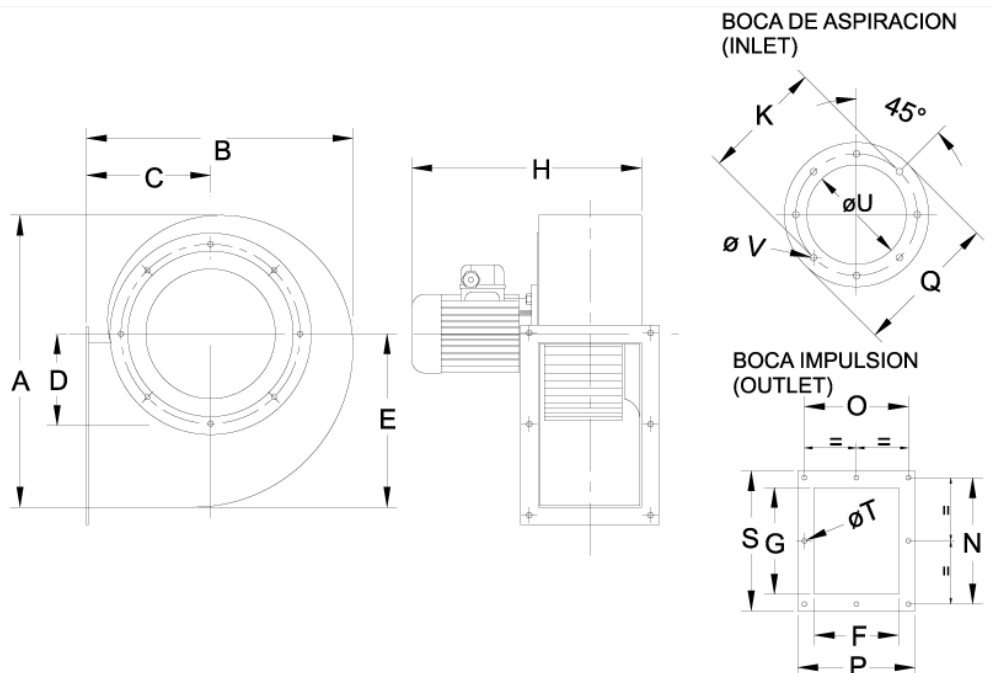
Technical data

Impeller rpm	2800
Motor rpm	
Approx. weight(kg)	15
Maximum flow rate(m3/h)	1940

Power(kW)	0,75
Imax 230V(A)	3,03
Imax 400V(A)	1,75
Imax 690V(A)	-

MB 18/7 T2 0,75kW

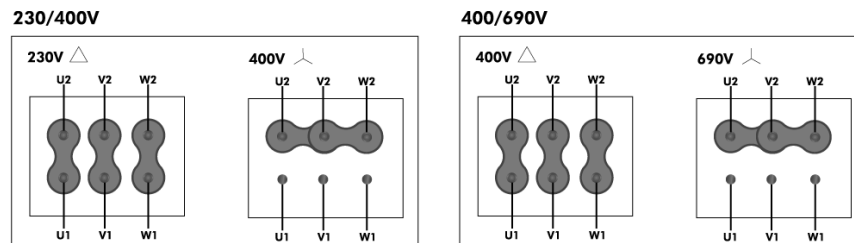
dimensions diagram



Dimensions (mm)

A=347	B=302	C=128	D=133	E=203	F=115	G=140	H=355	K=214	N=169	O=146	P=169
Q=237	S=192	T \varnothing =9	U \varnothing =141	V \varnothing =9							

Wiring diagram



MB 20/6 T2 0,37kW

Series general data MB12/5-20/8



MANUFACTURING FEATURES:

- Rolling steel sheet housing.
- Completely joined or welded housing.
- Galvanised steel sheet single inlet forward curved impeller.
- Epoxy powder finishing coat.
- Standard asynchronous squirrel-cage motor with IP-55 protection and Class F insulation. Manufactured with standard voltages: 230V 50Hz in single phase motors and 230/400V 50Hz in three phase motors, up to 5,5HP and 400/690V 50Hz for higher powers.
- Standard position: LG 270.

APPLICATIONS:

- Designed for inline installation, they are suitable for:
- Industrial applications, extraction or injection of air.
 - Cooling of machines and parts.
 - Clean air transport.
 - Maximum working temperature: carried air: 130°C, ambient 1ph 50°C, 3ph 60°C.

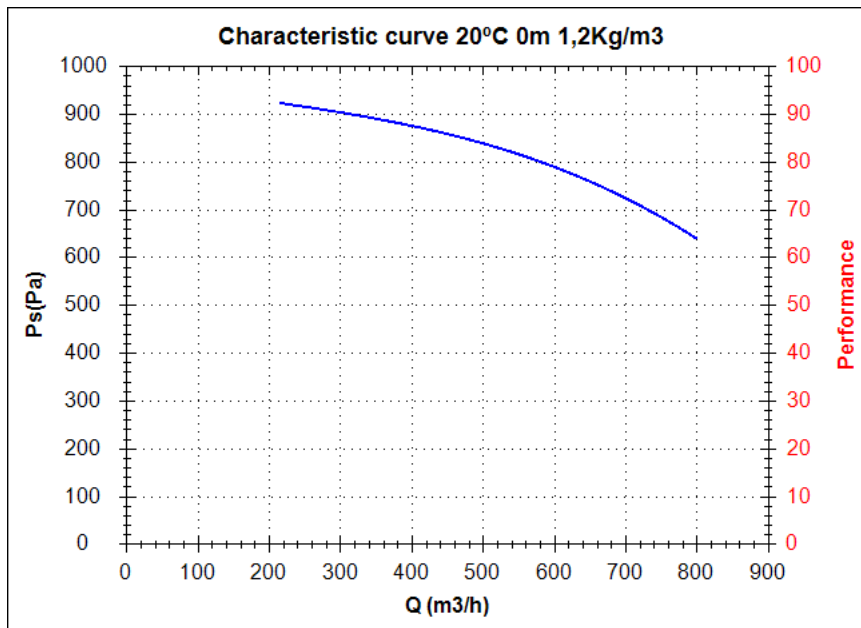
UNDER REQUEST:

- 60Hz fans and special voltages.
- 2 speed motors.
- Fans for air working temperatures up to 250°C.
- Fans provided with cooling disk for high temperature.
- Position: LG 0, LG 45, LG 90, LG 135, LG 180, LG 225, LG 315, RD 0, RD 45, RD 90, RD 135, RD 180, RD 225, RD 270, RD 315.

Series accessories MB12/5-20/8



Characteristic curve



Design point

Q (m ³ /h)	
Ps(Pa)	

Service point

Impeller rpm	
Max. temp.(°C)	
Q (m ³ /h)	
Ps(Pa)	
Pd(Pa)	
Pt(Pa)	
Air speed(m/s)	

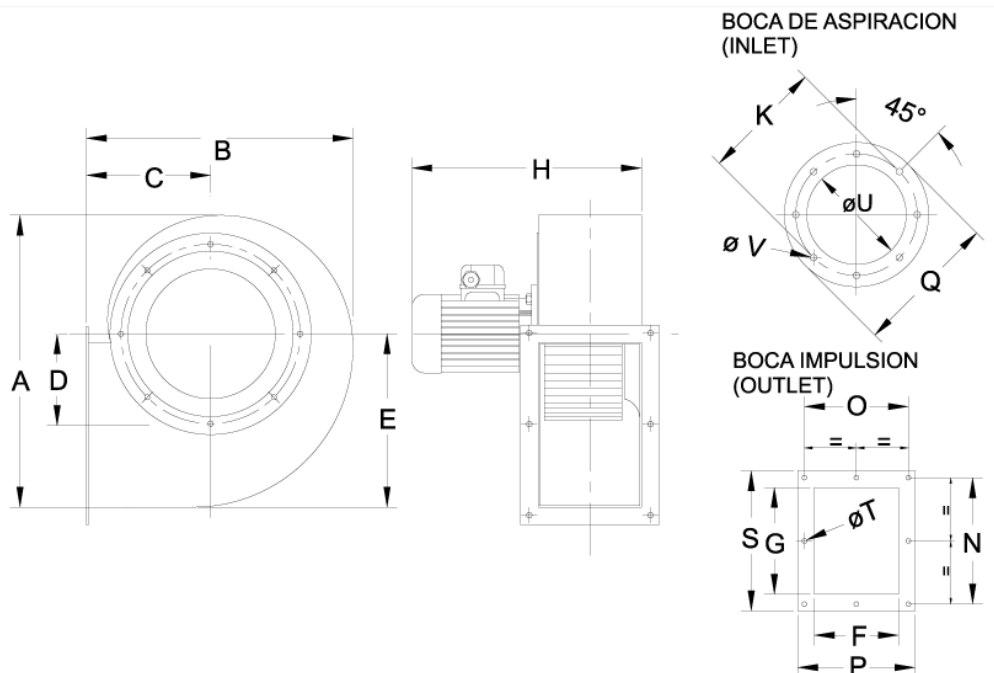
Technical data

Impeller rpm	2800
Motor rpm	
Approx. weight(kg)	14
Maximum flow rate(m ³ /h)	800

Power(kW)	0,37
Imax 230V(A)	1,65
Imax 400V(A)	0,95
Imax 690V(A)	-

MB 20/6 T2 0,37kW

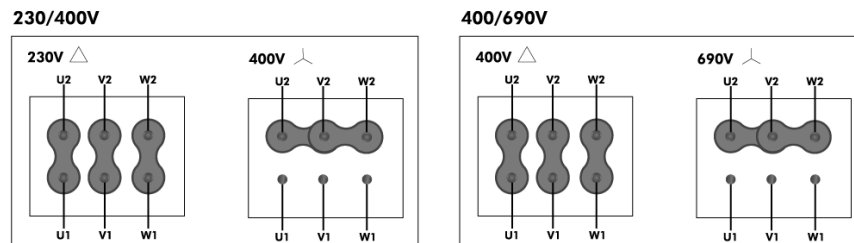
dimensions diagram



Dimensions (mm)

A=347	B=300	C=128	D=146	E=203	F=105	G=100	H=335	K=230	N=128	O=134	P=159
Q=255	S=153	T \varnothing =9	U \varnothing =161	V \varnothing =9							

Wiring diagram



MB 20/8 T2 1,1kW

Series general data MB12/5-20/8



MANUFACTURING FEATURES:

- Rolling steel sheet housing.
- Completely joined or welded housing.
- Galvanised steel sheet single inlet forward curved impeller.
- Epoxy powder finishing coat.
- Standard asynchronous squirrel-cage motor with IP-55 protection and Class F insulation. Manufactured with standard voltages: 230V 50Hz in single phase motors and 230/400V 50Hz in three phase motors, up to 5,5HP and 400/690V 50Hz for higher powers.
- Standard position: LG 270.

APPLICATIONS:

- Designed for inline installation, they are suitable for:
- Industrial applications, extraction or injection of air.
 - Cooling of machines and parts.
 - Clean air transport.
 - Maximum working temperature: carried air: 130°C, ambient 1ph 50°C, 3ph 60°C.

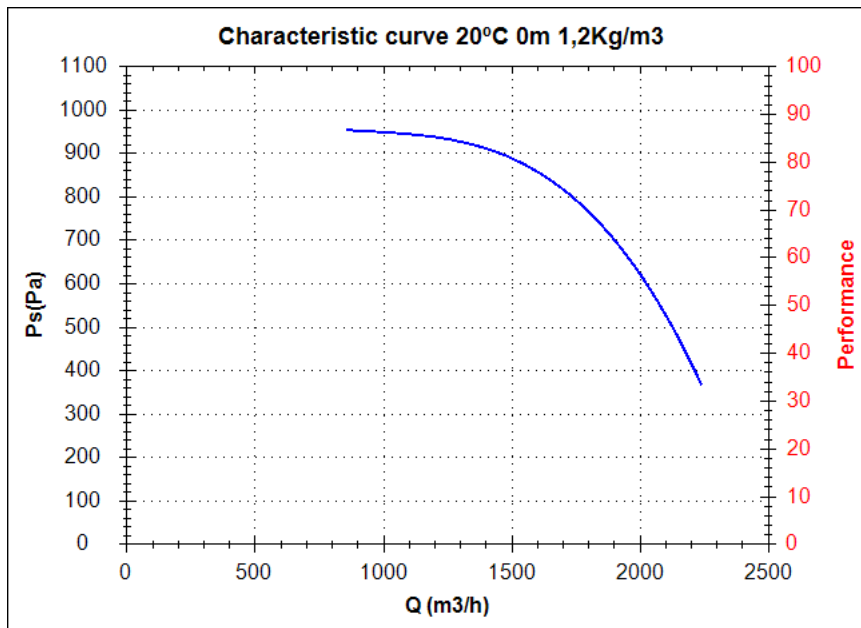
UNDER REQUEST:

- 60Hz fans and special voltages.
- 2 speed motors.
- Fans for air working temperatures up to 250°C.
- Fans provided with cooling disk for high temperature.
- Position: LG 0, LG 45, LG 90, LG 135, LG 180, LG 225, LG 315, RD 0, RD 45, RD 90, RD 135, RD 180, RD 225, RD 270, RD 315.

Series accessories MB12/5-20/8



Characteristic curve



Design point

Q (m3/h)	
Ps(Pa)	

Service point

Impeller rpm	
Max. temp.(°C)	
Q (m3/h)	
Ps(Pa)	
Pd(Pa)	
Pt(Pa)	
Air speed(m/s)	

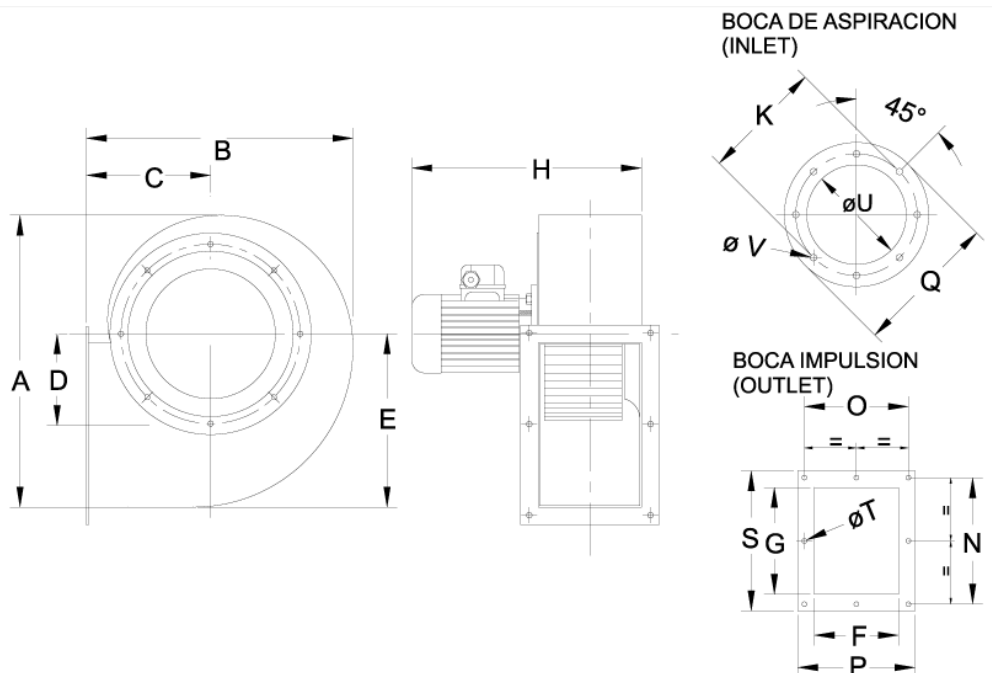
Technical data

Impeller rpm	2800
Motor rpm	
Approx. weight(kg)	19
Maximum flow rate(m3/h)	2240

Power(kW)	1,1
Imax 230V(A)	4,42
Imax 400V(A)	2,55
Imax 690V(A)	-

MB 20/8 T2 1,1kW

dimensions diagram



Dimensions (mm)

A=375	B=321	C=138	D=136	E=222	F=130	G=160	H=380	K=230	N=189	O=160	P=184
Q=255	S=213	T∅=9	U∅=161	V∅=9							

Wiring diagram

