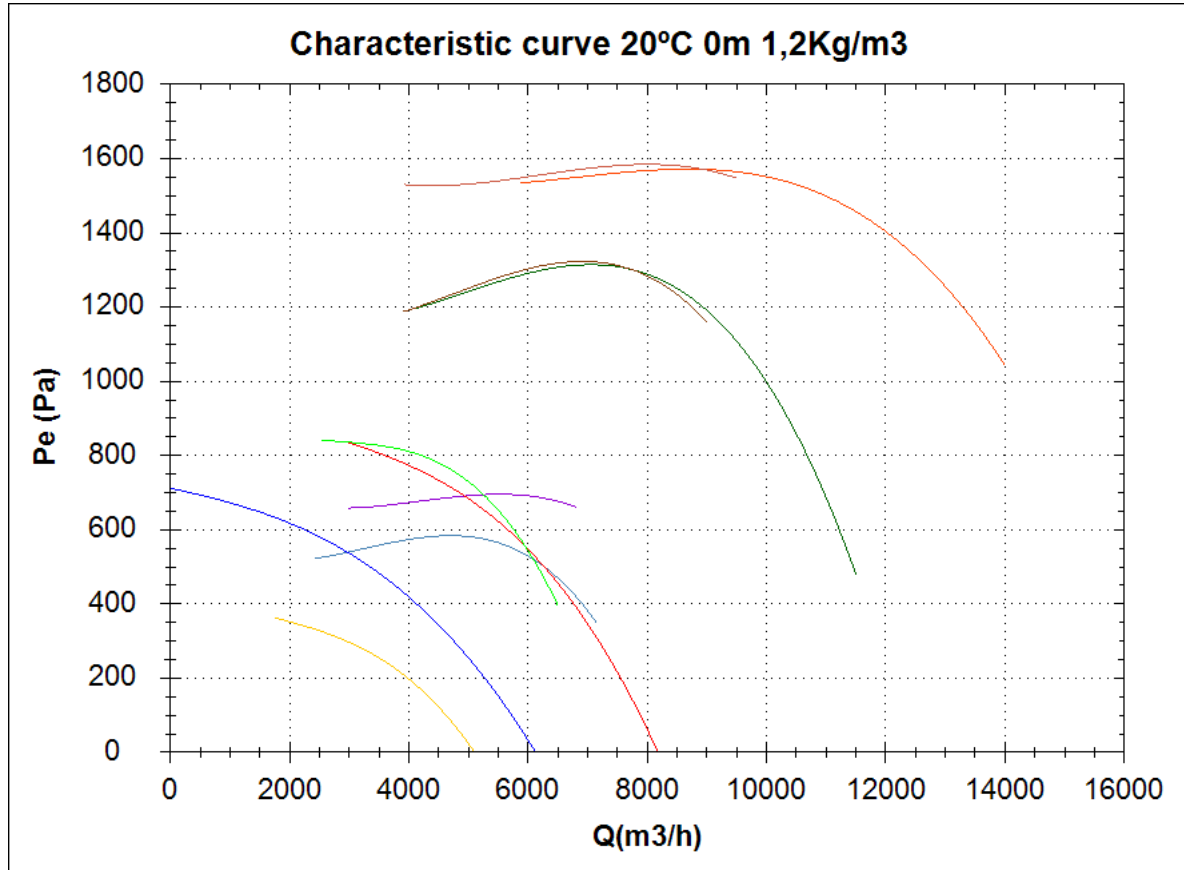












Comparative

Design point

Q (m3/h)	
Ps(Pa)	



		Model	Q(m3/h)	P (Pa)
	1	MB 31/12 T4 2,2kW		
	2	MB 35/14 T4 3kW		
	3	MB 35/14 T4 4kW		
	4	MB 35/14 T6 1,1kW		
	5	MB 40/16 T4 5,5kW		
	6	MB 40/16 T4 7,5kW		
	7	MB 40/16 T6 1,5kW		
	8	MB 45/18 T4 7,5kW		
	9	MB 45/18 T4 11kW		
	10	MB 45/18 T6 2,2kW		

MB 31/12 T4 2,2kW

Series general data MB31/12-45/18



MANUFACTURING FEATURES:

- Rolling steel sheet housing.
- Completely joined or welded housing.
- Galvanised steel sheet single inlet forward curved impeller.
- Epoxy powder finishing coat.
- Standard asynchronous squirrel-cage motor with IP-55 protection and Class F insulation. Manufactured with standard voltages: 230V 50Hz in single phase motors and 230/400V 50Hz in three phase motors, up to 4kW and 400/690V 50Hz for higher powers.
- Standard position: LG 270.

APPLICATIONS:

- Designed for inline installation, they are suitable for:
- Industrial applications, extraction or injection of air.
 - Cooling of machines and parts.
 - Clean air transport.
 - Maximum working temperature: carried air: 130°C, ambient 60°C.

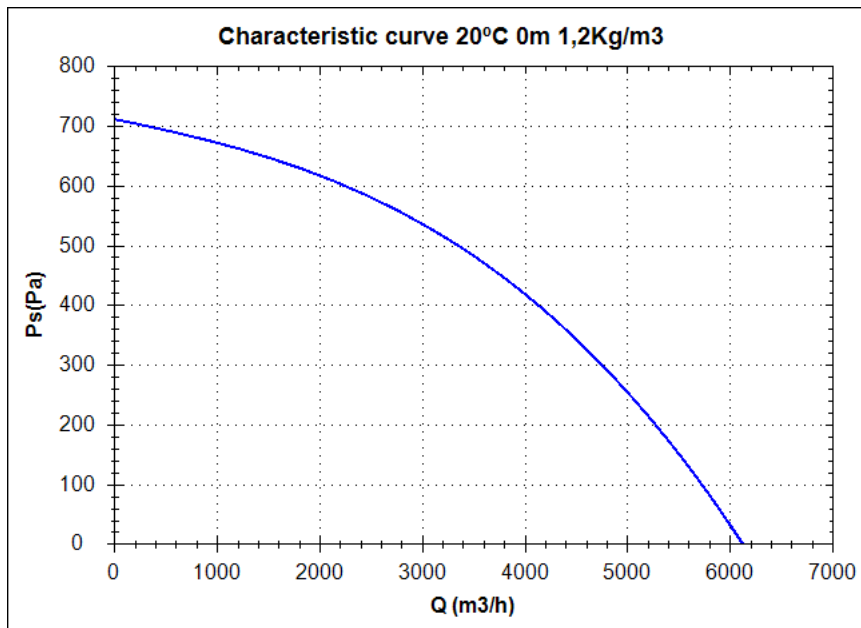
UNDER REQUEST:

- 60Hz fans and special voltages.
- 2 speed motors.
- Fans for air working temperatures up to 250°C.
- Fans provided with cooling disk for high temperatures.
- Position: LG 0, LG 45, LG 90, LG 135, LG 180, LG 225, LG 315, RD 0, RD 45, RD 90, RD 135, RD 180, RD 225, RD 270, RD 315.

Series accessories MB31/12-45/18



Characteristic curve



Design point

Q (m ³ /h)	
Ps(Pa)	

Service point

Impeller rpm	
Max. temp.(°C)	
Q (m ³ /h)	
Ps(Pa)	
Pd(Pa)	
Pt(Pa)	
Air speed(m/s)	

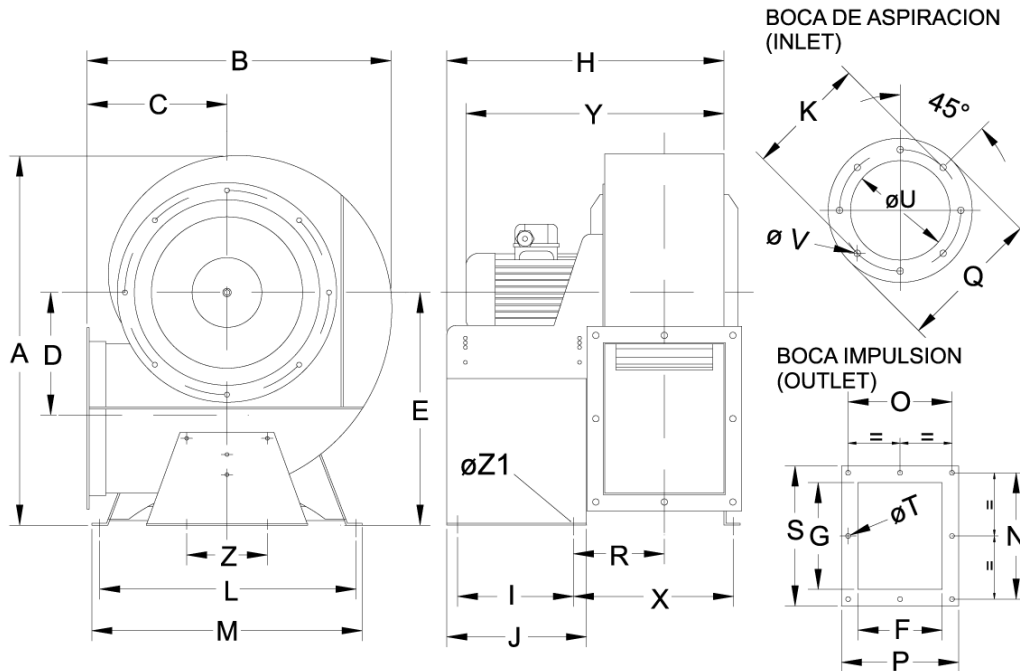
Technical data

Impeller rpm	1430
Motor rpm	1430
Approx. weight(kg)	54
Maximum flow rate(m ³ /h)	6150

Power(kW)	2,2
Imax 230V(A)	8,06
Imax 400V(A)	5
Imax 690V(A)	-

MB 31/12 T4 2,2kW

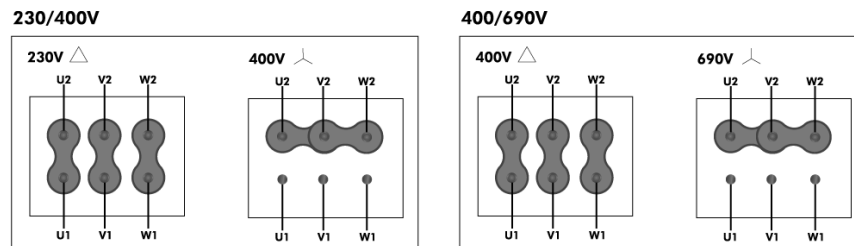
dimensions diagram



Dimensions (mm)

A=644	B=528	C=246	D=182	E=406	F=198	G=319	H=538	I=240	J=290	K=355	L=457
M=482	N=360	O=240	P=274	Q=382	R=171	S=395	T \varnothing =11	U \varnothing =257	V \varnothing =11	Y=538	Z1=13

Wiring diagram



MB 35/14 T4 3kW

Series general data MB31/12-45/18



MANUFACTURING FEATURES:

- Rolling steel sheet housing.
- Completely joined or welded housing.
- Galvanised steel sheet single inlet forward curved impeller.
- Epoxy powder finishing coat.
- Standard asynchronous squirrel-cage motor with IP-55 protection and Class F insulation. Manufactured with standard voltages: 230V 50Hz in single phase motors and 230/400V 50Hz in three phase motors, up to 4kW and 400/690V 50Hz for higher powers.
- Standard position: LG 270.

APPLICATIONS:

- Designed for inline installation, they are suitable for:
- Industrial applications, extraction or injection of air.
 - Cooling of machines and parts.
 - Clean air transport.
 - Maximum working temperature: carried air: 130°C, ambient 60°C.

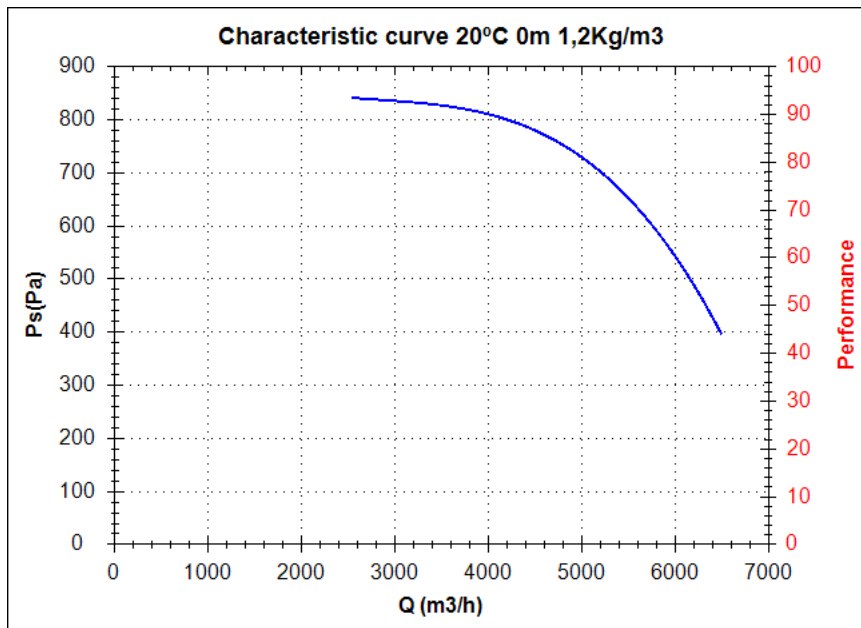
UNDER REQUEST:

- 60Hz fans and special voltages.
- 2 speed motors.
- Fans for air working temperatures up to 250°C.
- Fans provided with cooling disk for high temperatures.
- Position: LG 0, LG 45, LG 90, LG 135, LG 180, LG 225, LG 315, RD 0, RD 45, RD 90, RD 135, RD 180, RD 225, RD 270, RD 315.

Series accessories MB31/12-45/18



Characteristic curve



Design point

Q (m3/h)	
Ps(Pa)	

Service point

Impeller rpm	
Max. temp.(°C)	
Q (m3/h)	
Ps(Pa)	
Pd(Pa)	
Pt(Pa)	
Air speed(m/s)	

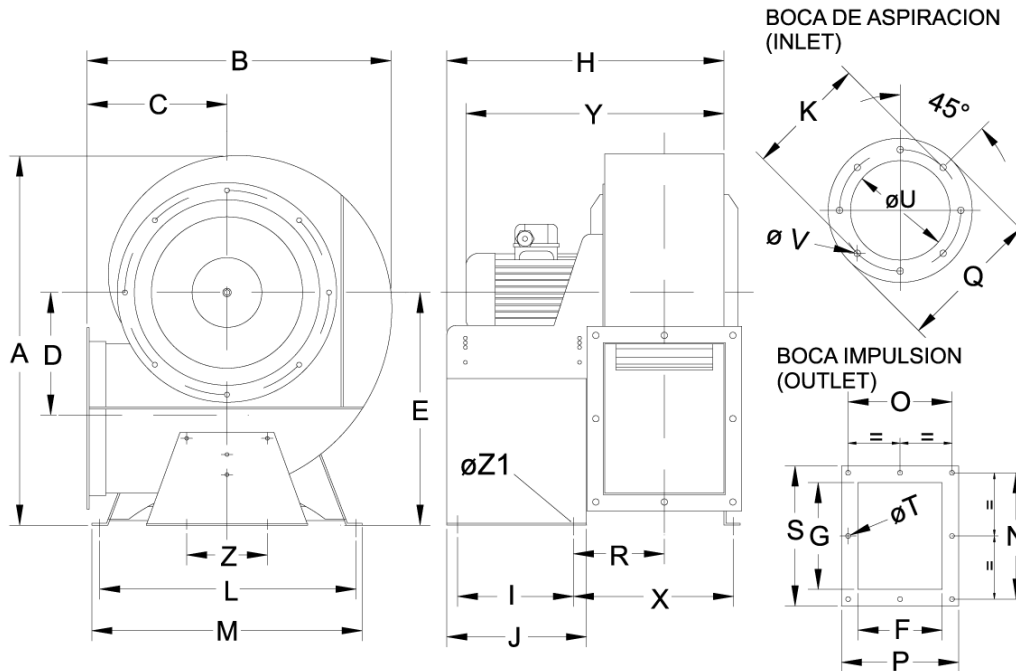
Technical data

Impeller rpm	1440
Motor rpm	1430
Approx. weight(kg)	63
Maximum flow rate(m3/h)	6500

Power(kW)	3
Imax 230V(A)	11,7
Imax 400V(A)	6,8
Imax 690V(A)	-

MB 35/14 T4 3kW

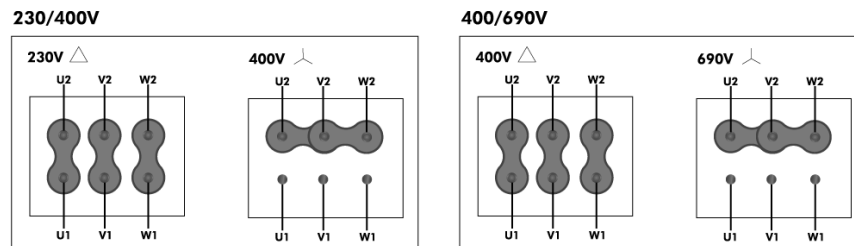
dimensions diagram



Dimensions (mm)

A=718	B=584	C=267	D=243	E=451	F=224	G=280	H=564	I=240	J=290	K=394	L=449
M=524	N=318	O=266	P=300	Q=422	R=184	S=356	T \varnothing =11	U \varnothing =289	V \varnothing =11	Y=564	Z1=13

Wiring diagram



MB 35/14 T4 4kW

Series general data MB31/12-45/18



MANUFACTURING FEATURES:

- Rolling steel sheet housing.
- Completely joined or welded housing.
- Galvanised steel sheet single inlet forward curved impeller.
- Epoxy powder finishing coat.
- Standard asynchronous squirrel-cage motor with IP-55 protection and Class F insulation. Manufactured with standard voltages: 230V 50Hz in single phase motors and 230/400V 50Hz in three phase motors, up to 4kW and 400/690V 50Hz for higher powers.
- Standard position: LG 270.

APPLICATIONS:

- Designed for inline installation, they are suitable for:
- Industrial applications, extraction or injection of air.
 - Cooling of machines and parts.
 - Clean air transport.
 - Maximum working temperature: carried air: 130°C, ambient 60°C.

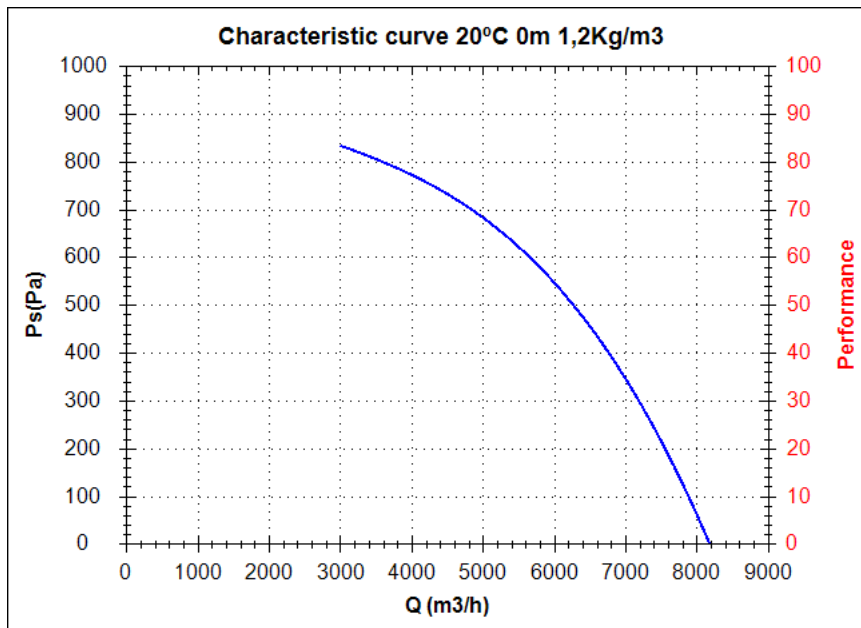
UNDER REQUEST:

- 60Hz fans and special voltages.
- 2 speed motors.
- Fans for air working temperatures up to 250°C.
- Fans provided with cooling disk for high temperatures.
- Position: LG 0, LG 45, LG 90, LG 135, LG 180, LG 225, LG 315, RD 0, RD 45, RD 90, RD 135, RD 180, RD 225, RD 270, RD 315.

Series accessories MB31/12-45/18



Characteristic curve



Design point

Q (m ³ /h)	
Ps(Pa)	

Service point

Impeller rpm	
Max. temp.(°C)	
Q (m ³ /h)	
Ps(Pa)	
Pd(Pa)	
Pt(Pa)	
Air speed(m/s)	

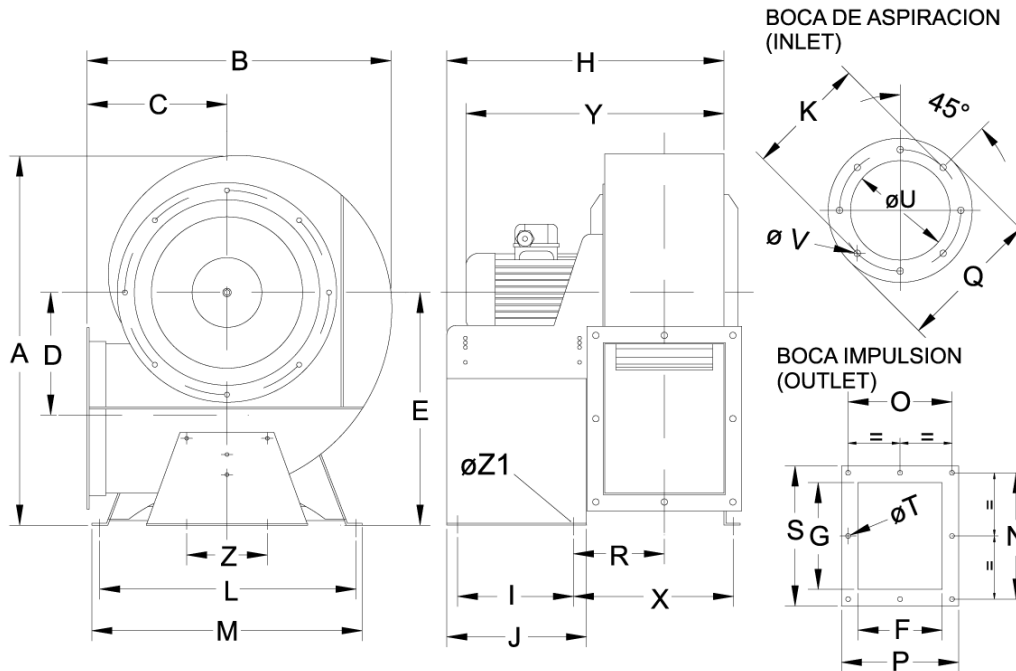
Technical data

Impeller rpm	1430
Motor rpm	1440
Approx. weight(kg)	69
Maximum flow rate(m ³ /h)	8285

Power(kW)	4
Imax 230V(A)	15,2
Imax 400V(A)	8,8
Imax 690V(A)	-

MB 35/14 T4 4kW

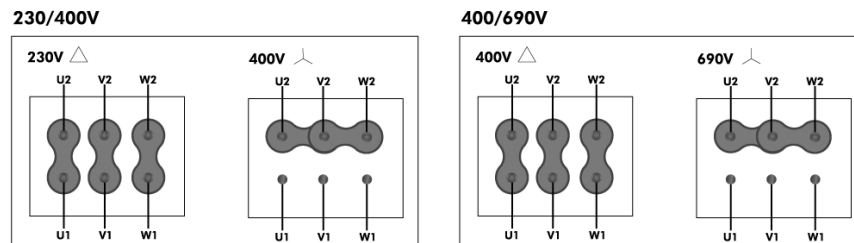
dimensions diagram



Dimensions (mm)

A=718	B=584	C=267	D=243	E=451	F=224	G=280	H=564	I=240	J=290	K=394	L=449
M=524	N=318	O=266	P=300	Q=422	R=184	S=356	T \varnothing =11	U \varnothing =289	V \varnothing =11	Y=564	Z1=13

Wiring diagram



MB 35/14 T6 1,1kW

Series general data MB31/12-45/18



MANUFACTURING FEATURES:

- Rolling steel sheet housing.
- Completely joined or welded housing.
- Galvanised steel sheet single inlet forward curved impeller.
- Epoxy powder finishing coat.
- Standard asynchronous squirrel-cage motor with IP-55 protection and Class F insulation. Manufactured with standard voltages: 230V 50Hz in single phase motors and 230/400V 50Hz in three phase motors, up to 4kW and 400/690V 50Hz for higher powers.
- Standard position: LG 270.

APPLICATIONS:

- Designed for inline installation, they are suitable for:
- Industrial applications, extraction or injection of air.
 - Cooling of machines and parts.
 - Clean air transport.
 - Maximum working temperature: carried air: 130°C, ambient 60°C.

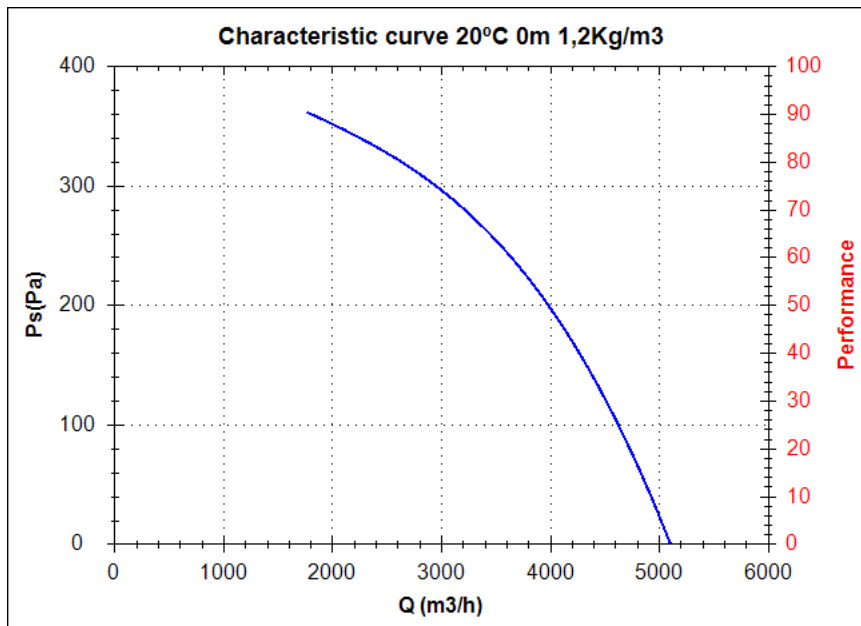
UNDER REQUEST:

- 60Hz fans and special voltages.
- 2 speed motors.
- Fans for air working temperatures up to 250°C.
- Fans provided with cooling disk for high temperatures.
- Position: LG 0, LG 45, LG 90, LG 135, LG 180, LG 225, LG 315, RD 0, RD 45, RD 90, RD 135, RD 180, RD 225, RD 270, RD 315.

Series accessories MB31/12-45/18



Characteristic curve



Design point

Q (m3/h)	
Ps(Pa)	

Service point

Impeller rpm	
Max. temp.(°C)	
Q (m3/h)	
Ps(Pa)	
Pd(Pa)	
Pt(Pa)	
Air speed(m/s)	

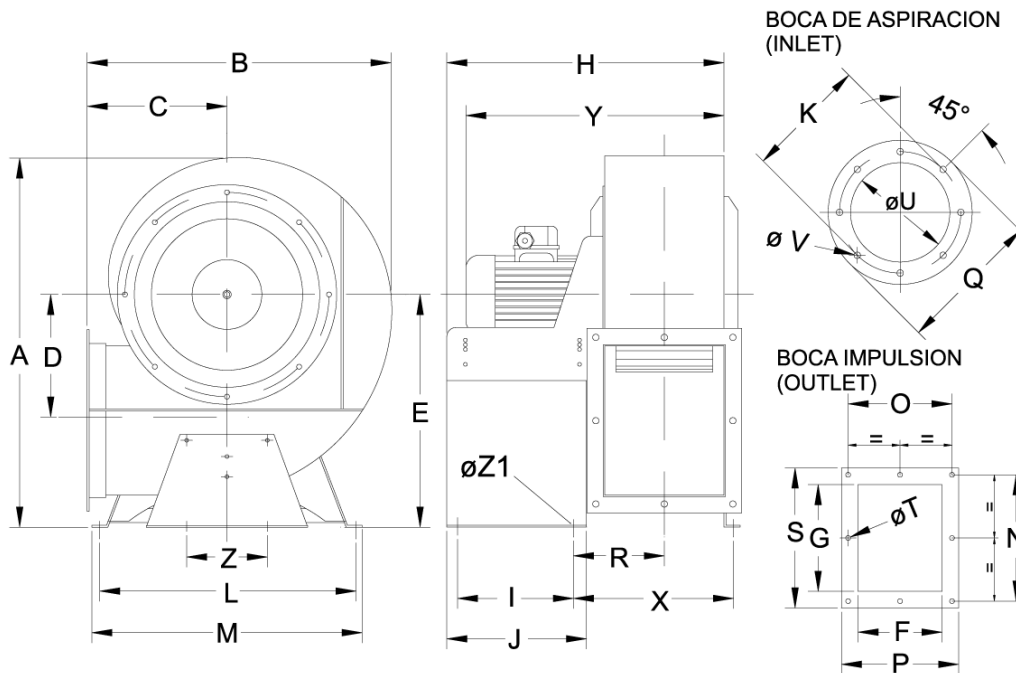
Technical data

Impeller rpm	910
Motor rpm	910
Approx. weight(kg)	53
Maximum flow rate(m3/h)	5165

Power(kW)	1,1
Imax 230V(A)	5,5
Imax 400V(A)	3,2
Imax 690V(A)	-

MB 35/14 T6 1,1kW

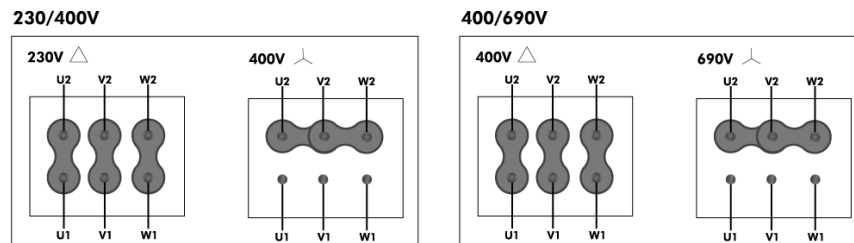
dimensions diagram



Dimensions (mm)

A=718	B=584	C=267	D=243	E=451	F=224	G=280	H=564	I=240	J=290	K=394	L=449
M=524	N=318	O=266	P=300	Q=422	R=184	S=356	T \varnothing =11	U \varnothing =289	V \varnothing =11	Y=564	Z1=13

Wiring diagram



MB 40/16 T4 5,5kW

Series general data MB31/12-45/18



MANUFACTURING FEATURES:

- Rolling steel sheet housing.
- Completely joined or welded housing.
- Galvanised steel sheet single inlet forward curved impeller.
- Epoxy powder finishing coat.
- Standard asynchronous squirrel-cage motor with IP-55 protection and Class F insulation. Manufactured with standard voltages: 230V 50Hz in single phase motors and 230/400V 50Hz in three phase motors, up to 4kW and 400/690V 50Hz for higher powers.
- Standard position: LG 270.

APPLICATIONS:

- Designed for inline installation, they are suitable for:
- Industrial applications, extraction or injection of air.
 - Cooling of machines and parts.
 - Clean air transport.
 - Maximum working temperature: carried air: 130°C, ambient 60°C.

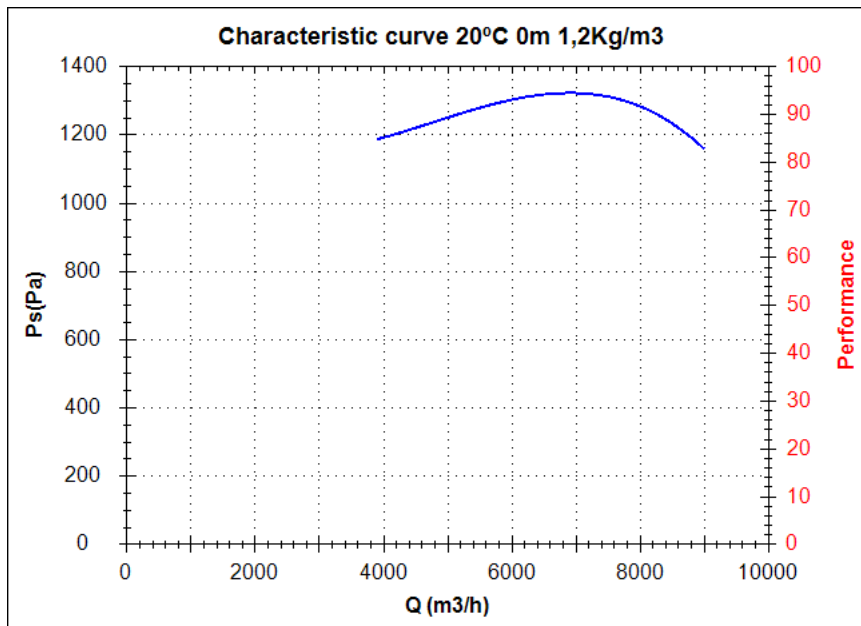
UNDER REQUEST:

- 60Hz fans and special voltages.
- 2 speed motors.
- Fans for air working temperatures up to 250°C.
- Fans provided with cooling disk for high temperatures.
- Position: LG 0, LG 45, LG 90, LG 135, LG 180, LG 225, LG 315, RD 0, RD 45, RD 90, RD 135, RD 180, RD 225, RD 270, RD 315.

Series accessories MB31/12-45/18



Characteristic curve



Design point

Q (m3/h)	
Ps(Pa)	

Service point

Impeller rpm	
Max. temp.(°C)	
Q (m3/h)	
Ps(Pa)	
Pd(Pa)	
Pt(Pa)	
Air speed(m/s)	

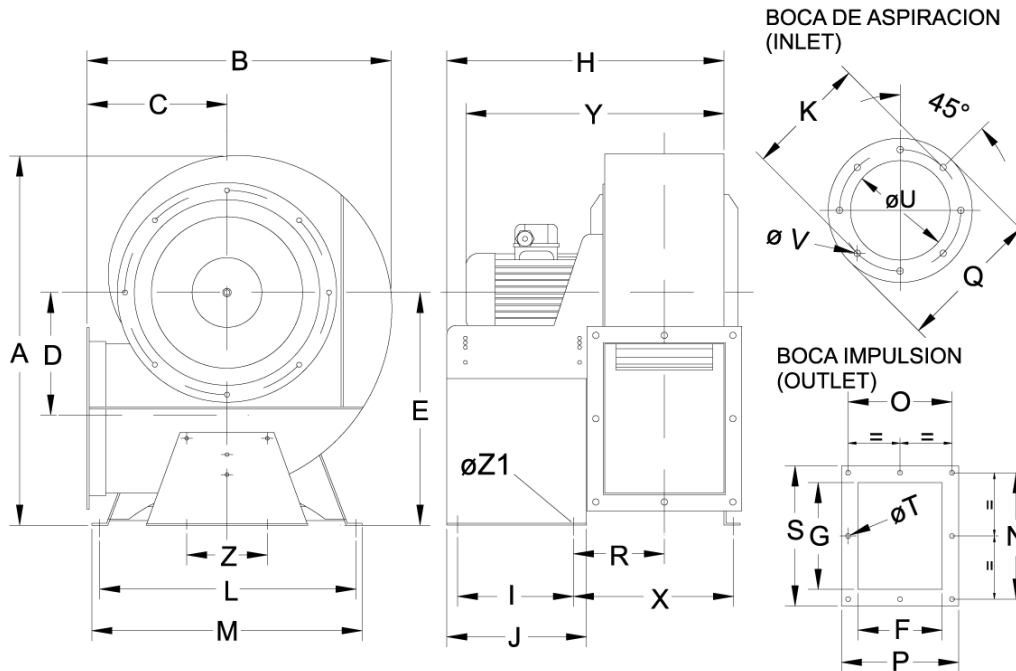
Technical data

Impeller rpm	1440
Motor rpm	1440
Approx. weight(kg)	101
Maximum flow rate(m3/h)	9000

Power(kW)	5,5
Imax 230V(A)	-
Imax 400V(A)	12
Imax 690V(A)	6,9

MB 40/16 T4 5,5kW

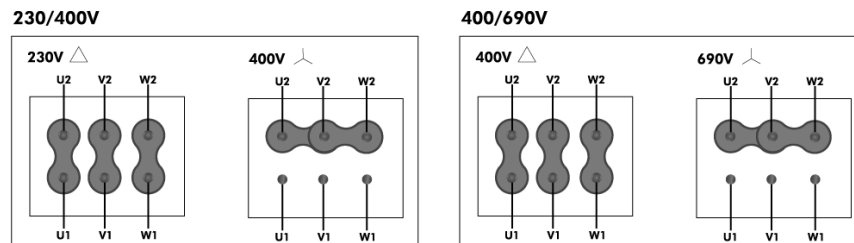
dimensions diagram



Dimensions (mm)

A=795	B=649	C=300	D=273	E=499	F=250	G=320	H=595	I=240	J=290	K=438	L=560
M=590	N=370	O=300	P=336	Q=464	R=192	S=406	T \varnothing =11	U \varnothing =325	V \varnothing =11	X=355	Y=595
Z=200	Z1=13										

Wiring diagram



MB 40/16 T4 7,5kW

Series general data MB31/12-45/18



MANUFACTURING FEATURES:

- Rolling steel sheet housing.
- Completely joined or welded housing.
- Galvanised steel sheet single inlet forward curved impeller.
- Epoxy powder finishing coat.
- Standard asynchronous squirrel-cage motor with IP-55 protection and Class F insulation. Manufactured with standard voltages: 230V 50Hz in single phase motors and 230/400V 50Hz in three phase motors, up to 4kW and 400/690V 50Hz for higher powers.
- Standard position: LG 270.

APPLICATIONS:

- Designed for inline installation, they are suitable for:
- Industrial applications, extraction or injection of air.
 - Cooling of machines and parts.
 - Clean air transport.
 - Maximum working temperature: carried air: 130°C, ambient 60°C.

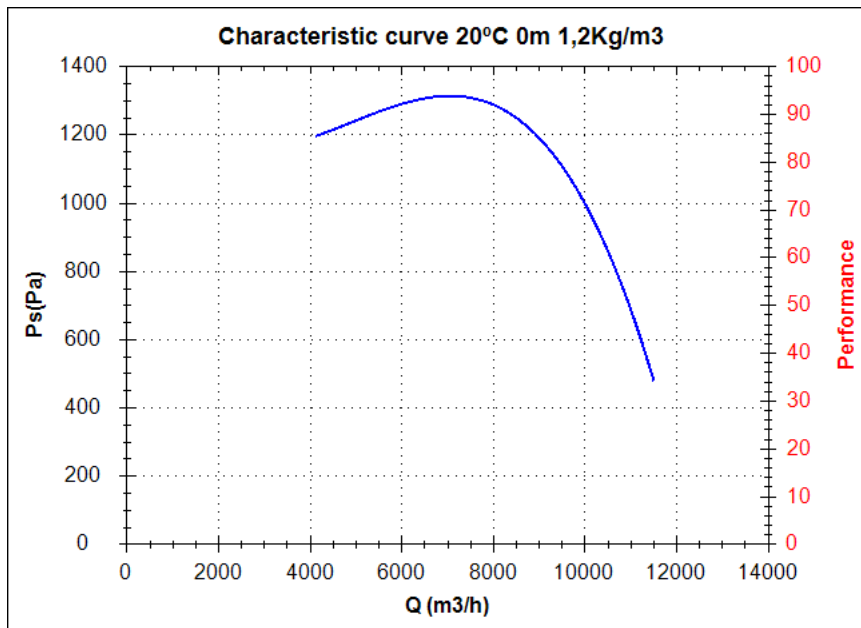
UNDER REQUEST:

- 60Hz fans and special voltages.
- 2 speed motors.
- Fans for air working temperatures up to 250°C.
- Fans provided with cooling disk for high temperatures.
- Position: LG 0, LG 45, LG 90, LG 135, LG 180, LG 225, LG 315, RD 0, RD 45, RD 90, RD 135, RD 180, RD 225, RD 270, RD 315.

Series accessories MB31/12-45/18



Characteristic curve



Design point

Q (m ³ /h)	
Ps(Pa)	

Service point

Impeller rpm	
Max. temp.(°C)	
Q (m ³ /h)	
Ps(Pa)	
Pd(Pa)	
Pt(Pa)	
Air speed(m/s)	

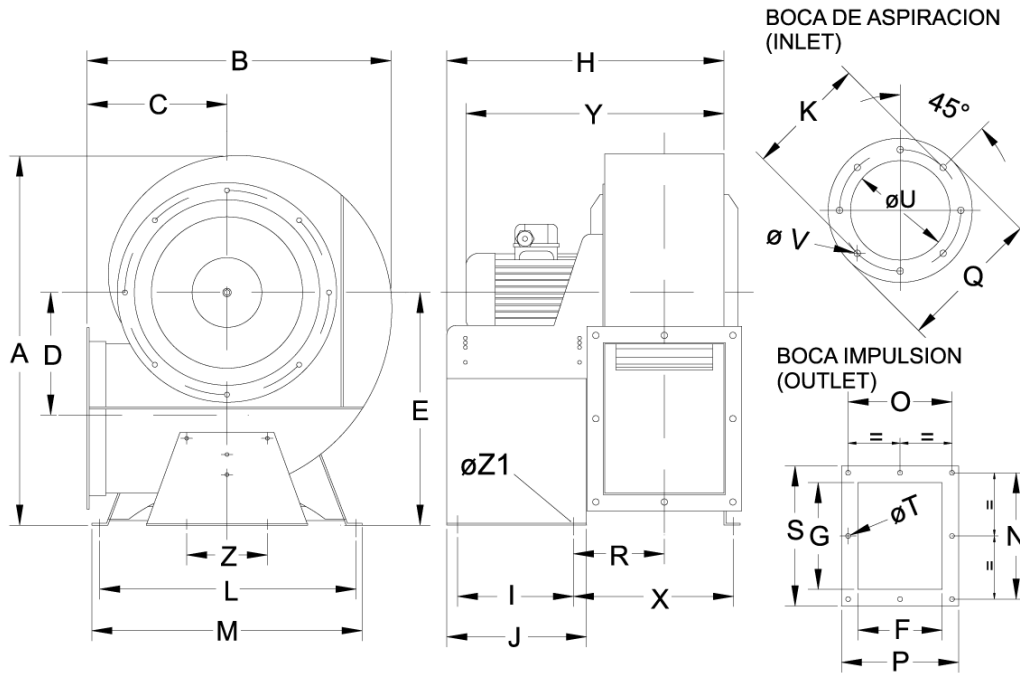
Technical data

Impeller rpm	1440
Motor rpm	1440
Approx. weight(kg)	110
Maximum flow rate(m ³ /h)	11500

Power(kW)	7,5
Imax 230V(A)	-
Imax 400V(A)	15
Imax 690V(A)	8,6

MB 40/16 T4 7,5kW

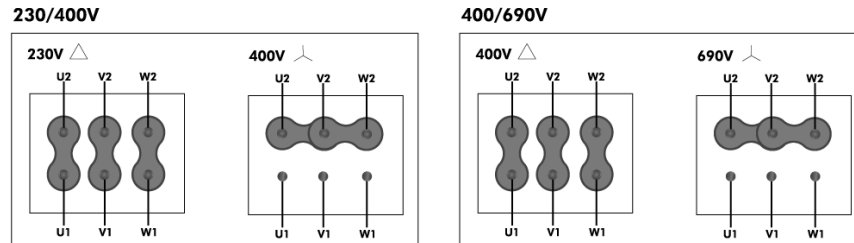
dimensions diagram



Dimensions (mm)

A=795	B=649	C=300	D=273	E=499	F=250	G=320	H=595	I=240	J=290	K=438	L=560
M=590	N=370	O=300	P=336	Q=464	R=192	S=406	T \varnothing =11	U \varnothing =325	V \varnothing =11	X=355	Y=595
Z=200	Z1=13										

Wiring diagram



MB 40/16 T6 1,5kW

Series general data MB31/12-45/18



MANUFACTURING FEATURES:

- Rolling steel sheet housing.
- Completely joined or welded housing.
- Galvanised steel sheet single inlet forward curved impeller.
- Epoxy powder finishing coat.
- Standard asynchronous squirrel-cage motor with IP-55 protection and Class F insulation. Manufactured with standard voltages: 230V 50Hz in single phase motors and 230/400V 50Hz in three phase motors, up to 4kW and 400/690V 50Hz for higher powers.
- Standard position: LG 270.

APPLICATIONS:

- Designed for inline installation, they are suitable for:
- Industrial applications, extraction or injection of air.
 - Cooling of machines and parts.
 - Clean air transport.
 - Maximum working temperature: carried air: 130°C, ambient 60°C.

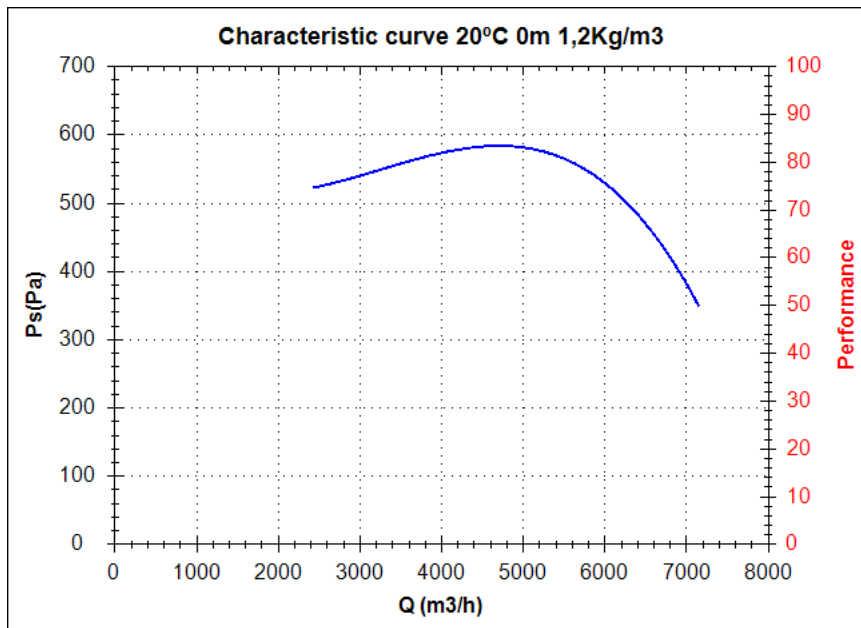
UNDER REQUEST:

- 60Hz fans and special voltages.
- 2 speed motors.
- Fans for air working temperatures up to 250°C.
- Fans provided with cooling disk for high temperatures.
- Position: LG 0, LG 45, LG 90, LG 135, LG 180, LG 225, LG 315, RD 0, RD 45, RD 90, RD 135, RD 180, RD 225, RD 270, RD 315.

Series accessories MB31/12-45/18



Characteristic curve



Design point

Q (m ³ /h)	
Ps(Pa)	

Service point

Impeller rpm	
Max. temp.(°C)	
Q (m ³ /h)	
Ps(Pa)	
Pd(Pa)	
Pt(Pa)	
Air speed(m/s)	

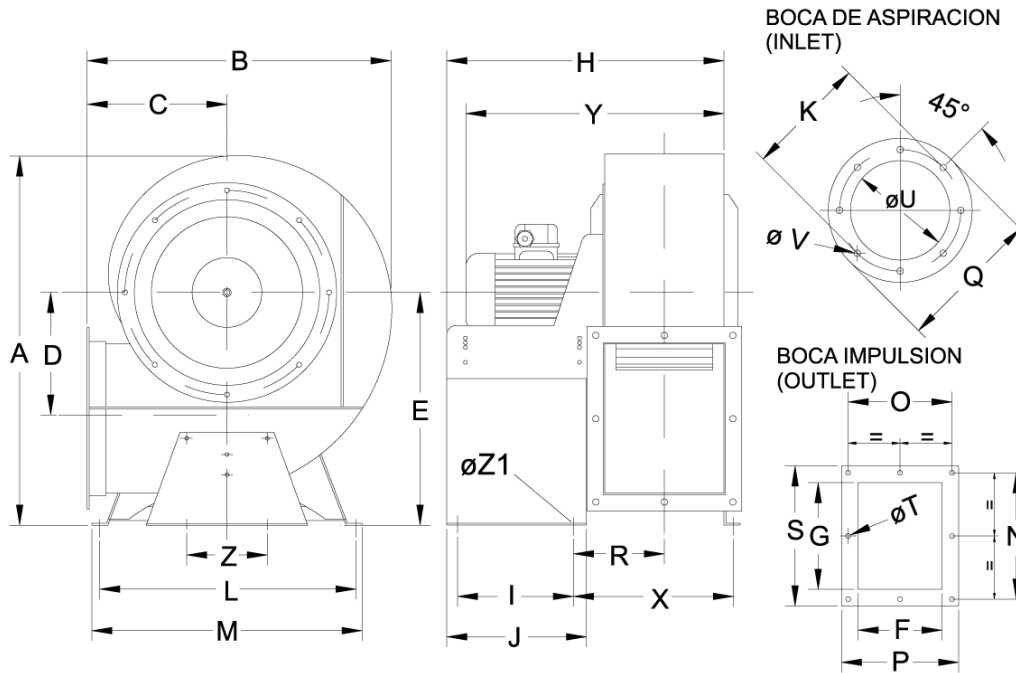
Technical data

Impeller rpm	940
Motor rpm	940
Approx. weight(kg)	94
Maximum flow rate(m ³ /h)	7150

Power(kW)	1,5
Imax 230V(A)	6,9
Imax 400V(A)	4
Imax 690V(A)	-

MB 40/16 T6 1,5kW

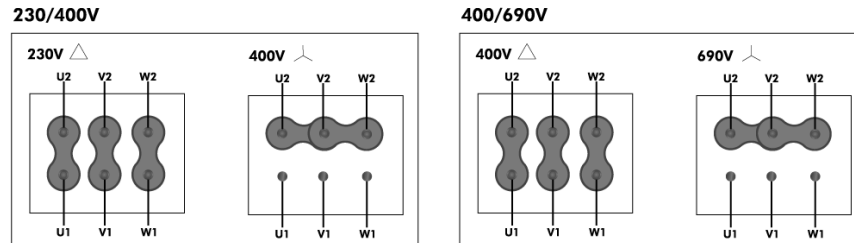
dimensions diagram



Dimensions (mm)

A=795	B=649	C=300	D=273	E=499	F=250	G=320	H=595	I=240	J=290	K=438	L=560
M=590	N=370	O=300	P=336	Q=464	R=192	S=406	T \varnothing =11	U \varnothing =325	V \varnothing =11	X=355	Y=595
Z=200	Z1=13										

Wiring diagram



MB 45/18 T4 7,5kW

Series general data MB31/12-45/18



MANUFACTURING FEATURES:

- Rolling steel sheet housing.
- Completely joined or welded housing.
- Galvanised steel sheet single inlet forward curved impeller.
- Epoxy powder finishing coat.
- Standard asynchronous squirrel-cage motor with IP-55 protection and Class F insulation. Manufactured with standard voltages: 230V 50Hz in single phase motors and 230/400V 50Hz in three phase motors, up to 4kW and 400/690V 50Hz for higher powers.
- Standard position: LG 270.

APPLICATIONS:

- Designed for inline installation, they are suitable for:
- Industrial applications, extraction or injection of air.
 - Cooling of machines and parts.
 - Clean air transport.
 - Maximum working temperature: carried air: 130°C, ambient 60°C.

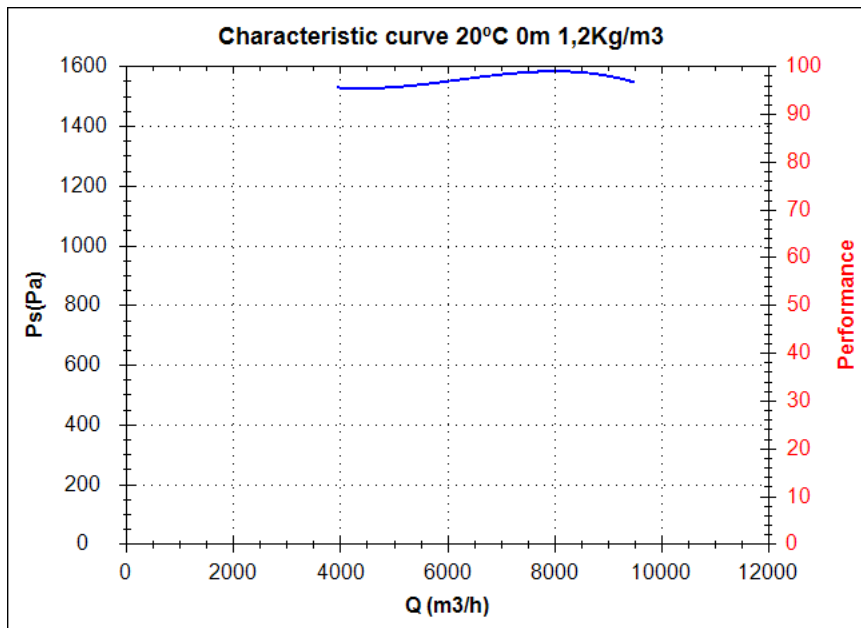
UNDER REQUEST:

- 60Hz fans and special voltages.
- 2 speed motors.
- Fans for air working temperatures up to 250°C.
- Fans provided with cooling disk for high temperatures.
- Position: LG 0, LG 45, LG 90, LG 135, LG 180, LG 225, LG 315, RD 0, RD 45, RD 90, RD 135, RD 180, RD 225, RD 270, RD 315.

Series accessories MB31/12-45/18



Characteristic curve



Design point

Q (m ³ /h)	
Ps(Pa)	

Service point

Impeller rpm	
Max. temp.(°C)	
Q (m ³ /h)	
Ps(Pa)	
Pd(Pa)	
Pt(Pa)	
Air speed(m/s)	

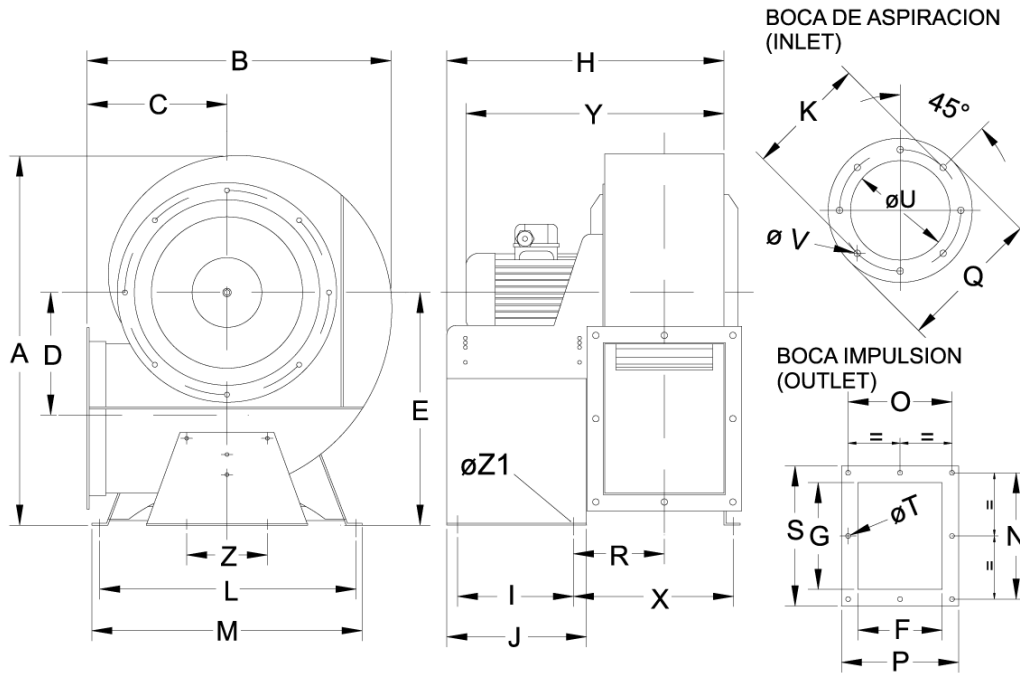
Technical data

Impeller rpm	1440
Motor rpm	1440
Approx. weight(kg)	119
Maximum flow rate(m ³ /h)	9500

Power(kW)	7,5
Imax 230V(A)	-
Imax 400V(A)	15
Imax 690V(A)	8,6

MB 45/18 T4 7,5kW

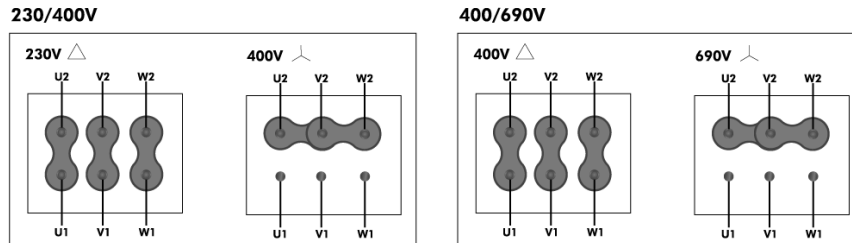
dimensions diagram



Dimensions (mm)

A=885	B=728	C=326	D=305	E=553	F=280	G=360	H=625	I=250	J=300	K=489	L=602
M=632	N=404	O=328	P=356	Q=515	R=207	S=436	T \varnothing =11	U \varnothing =365	V \varnothing =11	X=365	Y=625
Z=200	Z1=13										

Wiring diagram



MB 45/18 T4 11kW

Series general data MB31/12-45/18



MANUFACTURING FEATURES:

- Rolling steel sheet housing.
- Completely joined or welded housing.
- Galvanised steel sheet single inlet forward curved impeller.
- Epoxy powder finishing coat.
- Standard asynchronous squirrel-cage motor with IP-55 protection and Class F insulation. Manufactured with standard voltages: 230V 50Hz in single phase motors and 230/400V 50Hz in three phase motors, up to 4kW and 400/690V 50Hz for higher powers.
- Standard position: LG 270.

APPLICATIONS:

- Designed for inline installation, they are suitable for:
- Industrial applications, extraction or injection of air.
 - Cooling of machines and parts.
 - Clean air transport.
 - Maximum working temperature: carried air: 130°C, ambient 60°C.

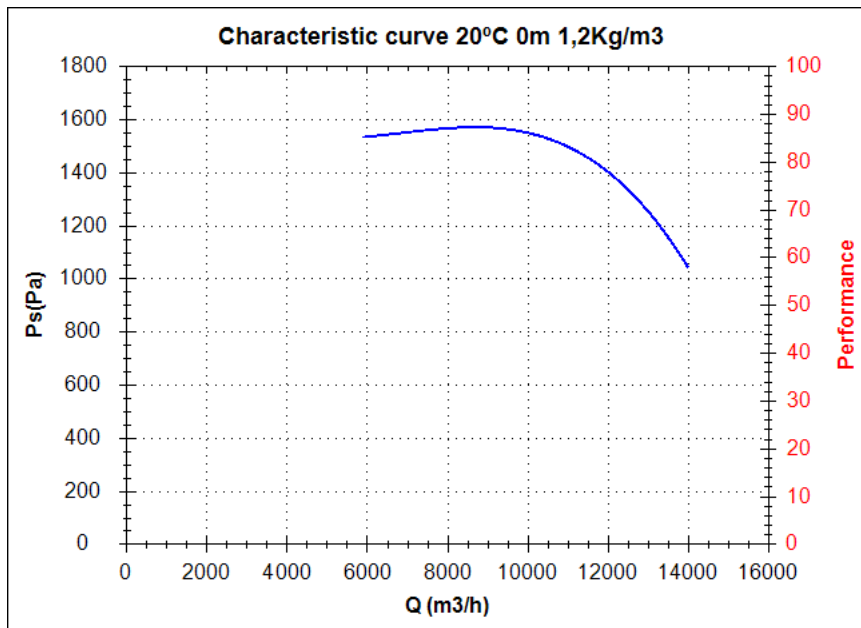
UNDER REQUEST:

- 60Hz fans and special voltages.
- 2 speed motors.
- Fans for air working temperatures up to 250°C.
- Fans provided with cooling disk for high temperatures.
- Position: LG 0, LG 45, LG 90, LG 135, LG 180, LG 225, LG 315, RD 0, RD 45, RD 90, RD 135, RD 180, RD 225, RD 270, RD 315.

Series accessories MB31/12-45/18



Characteristic curve



Design point

Q (m3/h)	
Ps(Pa)	

Service point

Impeller rpm	
Max. temp.(°C)	
Q (m3/h)	
Ps(Pa)	
Pd(Pa)	
Pt(Pa)	
Air speed(m/s)	

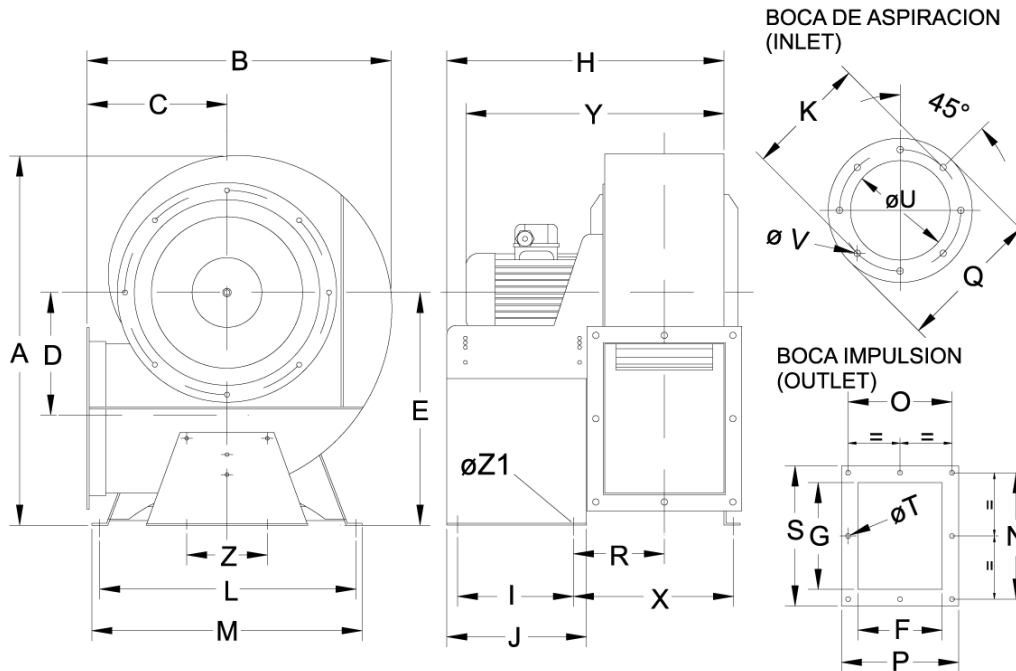
Technical data

Impeller rpm	1460
Motor rpm	1460
Approx. weight(kg)	190
Maximum flow rate(m3/h)	14000

Power(kW)	11
Imax 230V(A)	-
Imax 400V(A)	20,9
Imax 690V(A)	12,02

MB 45/18 T4 11kW

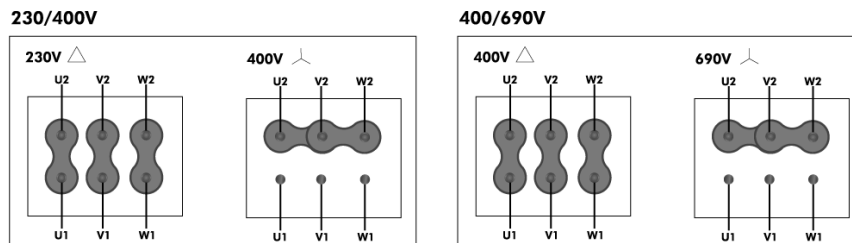
dimensions diagram



Dimensions (mm)

A=885	B=728	C=326	D=305	E=553	F=280	G=360	H=625	I=250	J=300	K=489	L=602
M=632	N=404	O=328	P=356	Q=515	R=207	S=436	T \varnothing =11	U \varnothing =365	V \varnothing =11	X=365	Y=625
Z=200	Z1=13										

Wiring diagram



MB 45/18 T6 2,2kW

Series general data MB31/12-45/18



MANUFACTURING FEATURES:

- Rolling steel sheet housing.
- Completely joined or welded housing.
- Galvanised steel sheet single inlet forward curved impeller.
- Epoxy powder finishing coat.
- Standard asynchronous squirrel-cage motor with IP-55 protection and Class F insulation. Manufactured with standard voltages: 230V 50Hz in single phase motors and 230/400V 50Hz in three phase motors, up to 4kW and 400/690V 50Hz for higher powers.
- Standard position: LG 270.

APPLICATIONS:

- Designed for inline installation, they are suitable for:
- Industrial applications, extraction or injection of air.
 - Cooling of machines and parts.
 - Clean air transport.
 - Maximum working temperature: carried air: 130°C, ambient 60°C.

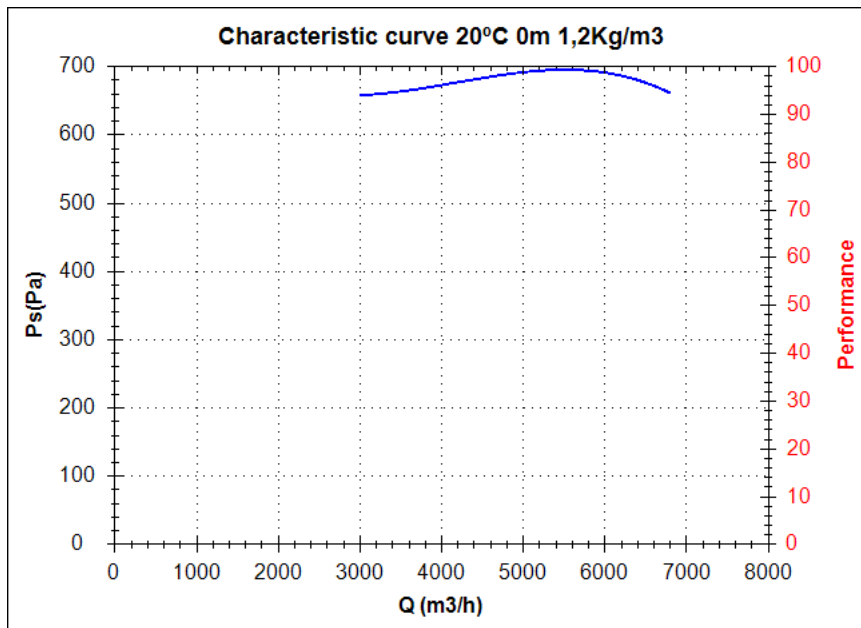
UNDER REQUEST:

- 60Hz fans and special voltages.
- 2 speed motors.
- Fans for air working temperatures up to 250°C.
- Fans provided with cooling disk for high temperatures.
- Position: LG 0, LG 45, LG 90, LG 135, LG 180, LG 225, LG 315, RD 0, RD 45, RD 90, RD 135, RD 180, RD 225, RD 270, RD 315.

Series accessories MB31/12-45/18



Characteristic curve



Design point

Q (m ³ /h)	
Ps(Pa)	

Service point

Impeller rpm	
Max. temp.(°C)	
Q (m ³ /h)	
Ps(Pa)	
Pd(Pa)	
Pt(Pa)	
Air speed(m/s)	

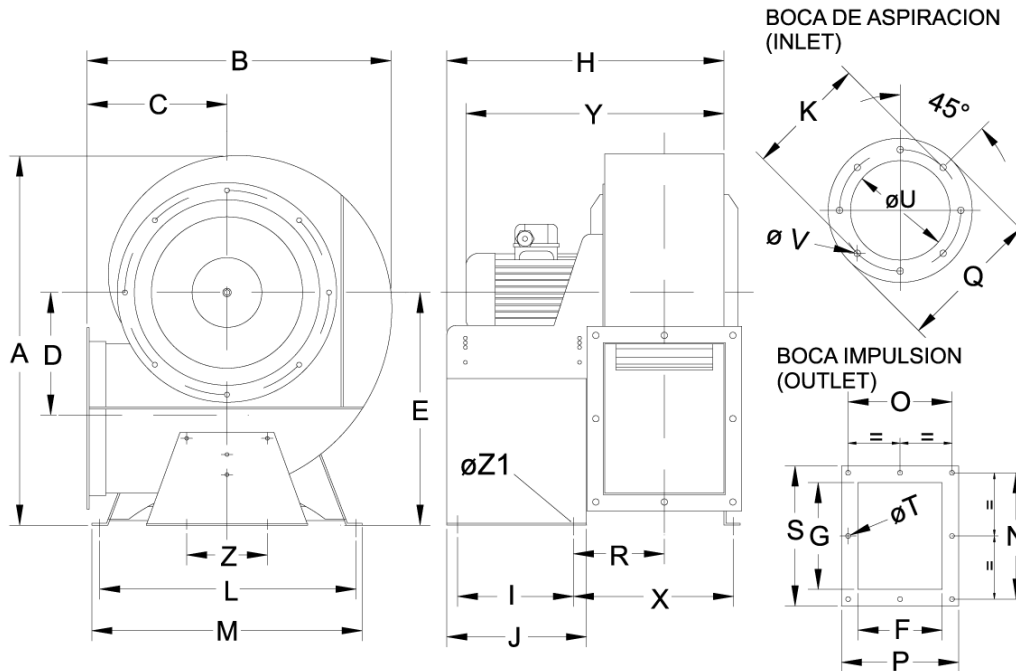
Technical data

Impeller rpm	940
Motor rpm	940
Approx. weight(kg)	112
Maximum flow rate(m ³ /h)	6800

Power(kW)	2,2
Imax 230V(A)	9,7
Imax 400V(A)	5,6
Imax 690V(A)	-

MB 45/18 T6 2,2kW

dimensions diagram



Dimensions (mm)

A=885	B=728	C=326	D=305	E=553	F=280	G=360	H=625	I=250	J=300	K=489	L=602
M=632	N=404	O=328	P=356	Q=515	R=207	S=436	T \varnothing =11	U \varnothing =365	V \varnothing =11	X=365	Y=625
Z=200	Z1=13										

Wiring diagram

