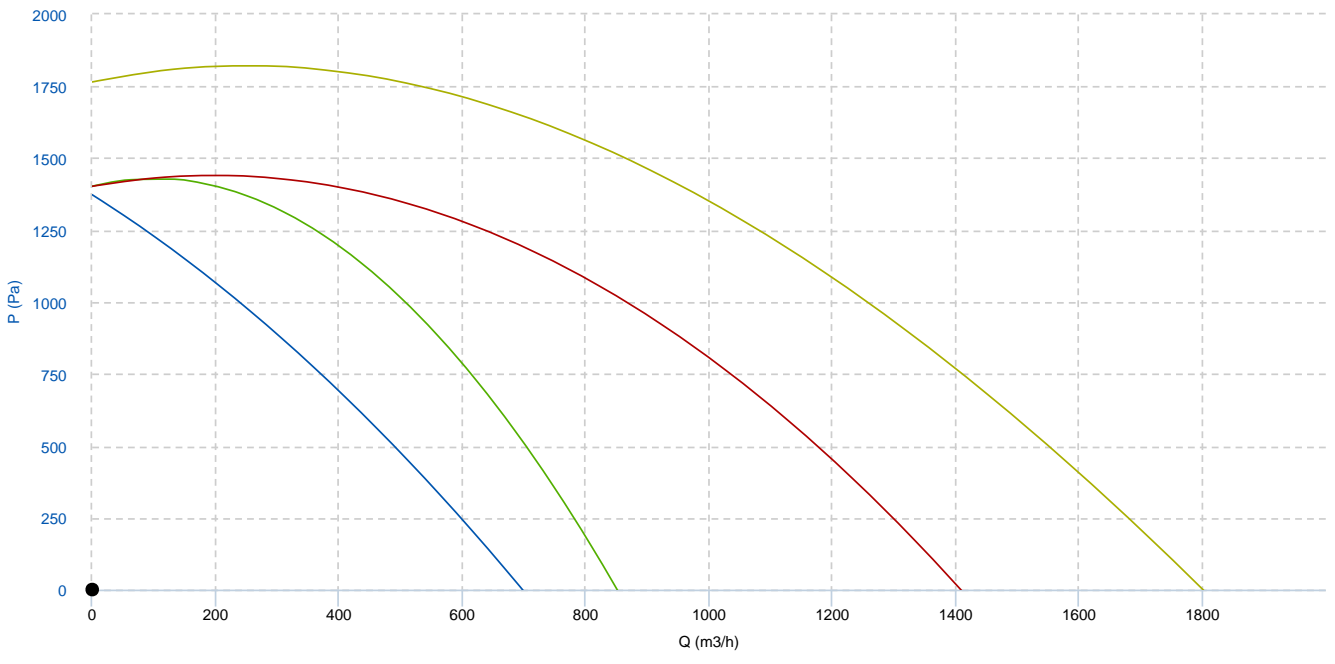


COMPARISON



Design point

Q (m³/h)	0
P (Pa)	0

comparative summary

model	Q (m³/h)	Ps (Pa)	Pt (Pa)	P _{abs} (kW)	P _{recom} (kW)	Efficiency (%)
MA 26 T2 0,37kW P/R (253300160)	-	-	-	-	-	-
MA 27 T2 0,55kW P/R (300006000)	-	-	-	-	-	-
MA 28 T2 0,75kW P/R (300140600)	-	-	-	-	-	-
MA 31 T2 1,5kW P/R (300032600)	-	-	-	-	-	-

MA 26 T2 0,37kW P/R (253300160)

GENERAL DATA



MEDIUM PRESSURE FAN WITH STRAIGHT IMPELLER

MANUFACTURING FEATURES:

- Cast aluminium housing.
- Straight blade steel sheet or cast aluminium impellers.
- Epoxy powder coat finishing.
- Squirrel cage asynchronous standard motor, IP-55 protection and rated class F insulation. Standard voltages 230/400V 50Hz.
- Standard orientation: LG270.

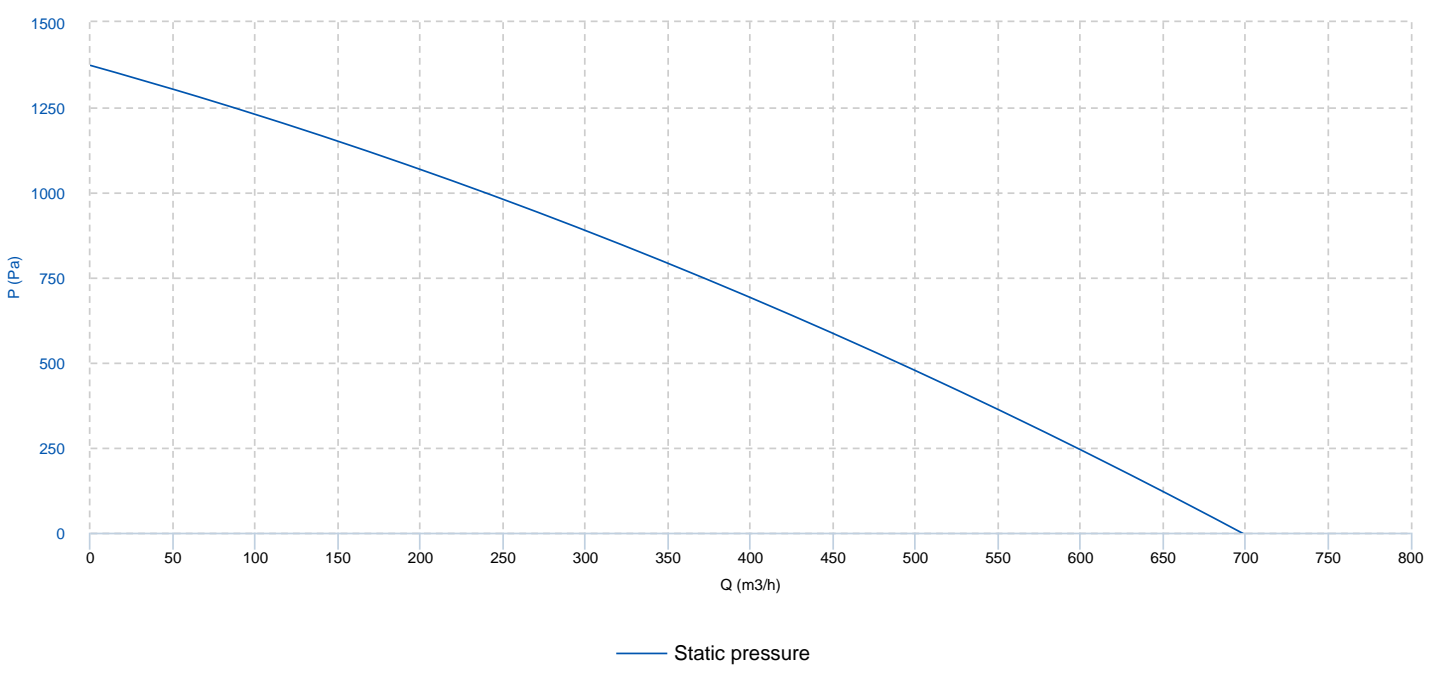
APPLICATIONS:

- Designed for inline installation, they are suitable for:
- Solid material transport (except for textile fibers).
 - Maximum working temperature: carried air: 130°C, ambient: 60°C.

UNDER REQUEST:

- 60Hz fans and special voltages.
- 2 speed motors.
- Orientation: LG0, LG90, LG180.

CHARACTERISCTIC CURVE



TECHNICAL DATA

fan

RPM	2800	approx. weight	14 kg	max flow	770 m ³ /h
-----	------	----------------	-------	----------	-----------------------

motor

power	0.37 kW	motor rpm	2800	imax 230V	1.58 A
-------	---------	-----------	------	-----------	--------



imax 400V

0.91 A

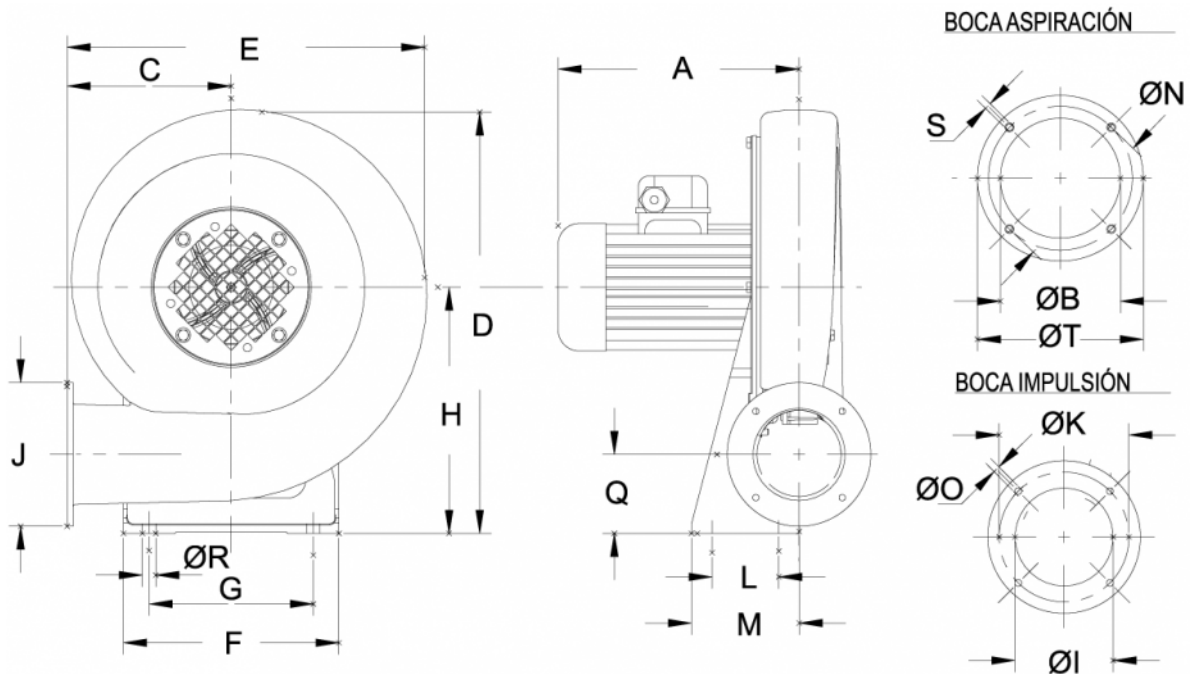
size

71

approx. weight

5.7 kg

DIMENSIONS DIAGRAM



Dimensions (mm)

A	240
F	210
KØ	119
Q	77

BØ	110
G	160
L	65
RØ	13

C	162
H	240
M	105
S	6

D	413
I	90
NØ	132
TØ	152

E	353
J	140
OØ	6,2

ACCESSORIES



SAFETY SWITCH
INT 6,5 1V
REF: FX452508



FLEXIBLE JOINT
JE 45
REF: 300719201



CONNECTION FLANGE
AC 100
REF: 960003202



COMPACT STAICASE PRESSURISATION KIT
Easy KPE SP 0,37kW
REF: 508800102



COMPACT STAICASE PRESSURISATION KIT
Easy KPE TP 0,75kW
REF: 508800344



FREQUENCY SPEED CONTROLLER
SFC M 0,37kW
REF: 960002520





FREQUENCY SPEED CONTROLLER
SFC T 0,55kW
REF: 960002526

SPARE PARTS

	code	family	model	RPM	Pitch grades
1	300143101	1 x TURBINE	E_MA26 P/R		
2	721001024	1 x MOTOR	0,37kW T2 B14 230/400V		
3	153301771S	1 x CASING	MA26		
4	153301751S	1 x BASE SUPPORT MOTOR	MA26		



MA 27 T2 0,55kW P/R (300006000)

GENERAL DATA



MEDIUM PRESSURE FAN WITH STRAIGHT IMPELLER

MANUFACTURING FEATURES:

- Cast aluminium housing.
- Straight blade steel sheet or cast aluminium impellers.
- Epoxy powder coat finishing.
- Squirrel cage asynchronous standard motor, IP-55 protection and rated class F insulation. Standard voltages 230/400V 50Hz.
- Standard orientation: LG270.

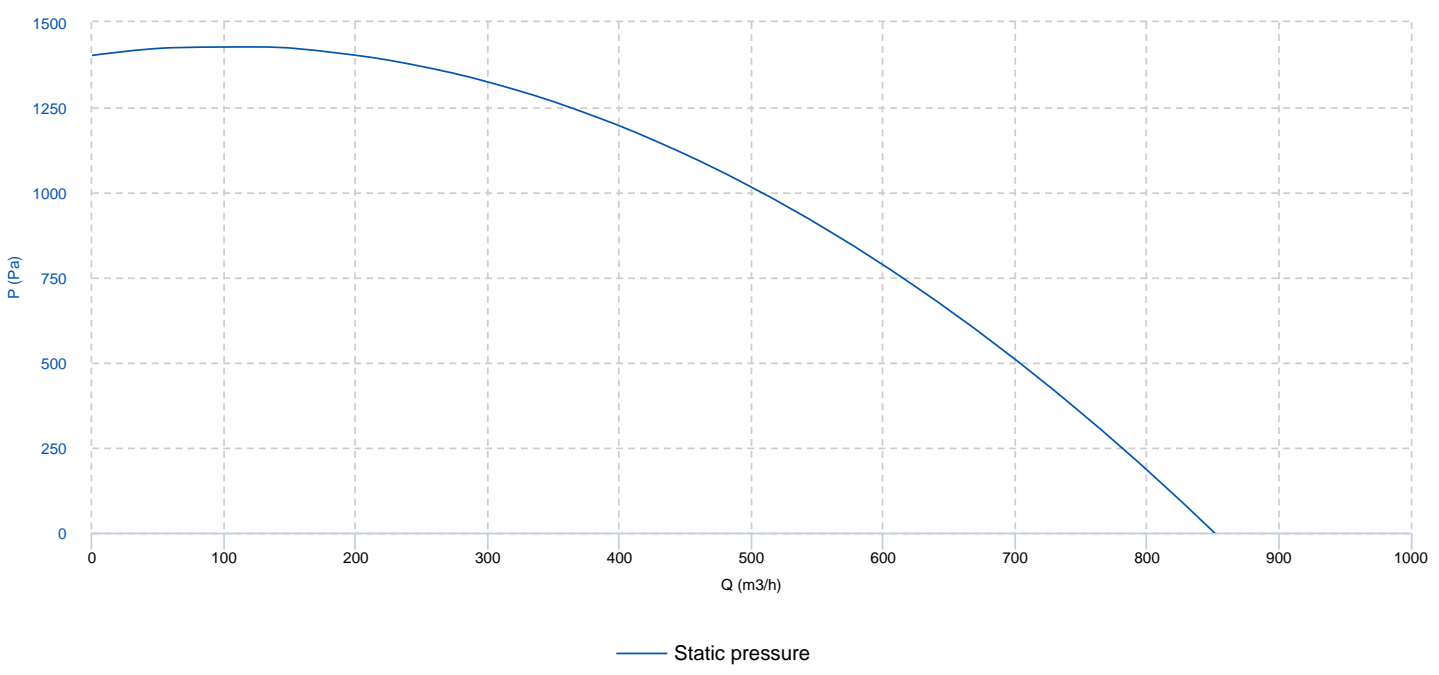
APPLICATIONS:

- Designed for inline installation, they are suitable for:
- Solid material transport (except for textile fibers).
 - Maximum working temperature: carried air: 130°C, ambient: 60°C.

UNDER REQUEST:

- 60Hz fans and special voltages.
- 2 speed motors.
- Orientation: LG0, LG90, LG180.

CHARACTERISCTIC CURVE



TECHNICAL DATA

fan

RPM	2800	approx. weight	16 kg	max flow	940 m ³ /h
-----	------	----------------	-------	----------	-----------------------

motor

power	0.55 kW	motor rpm	2800	imax 230V	2.23 A
-------	---------	-----------	------	-----------	--------



imax 400V

1.29 A

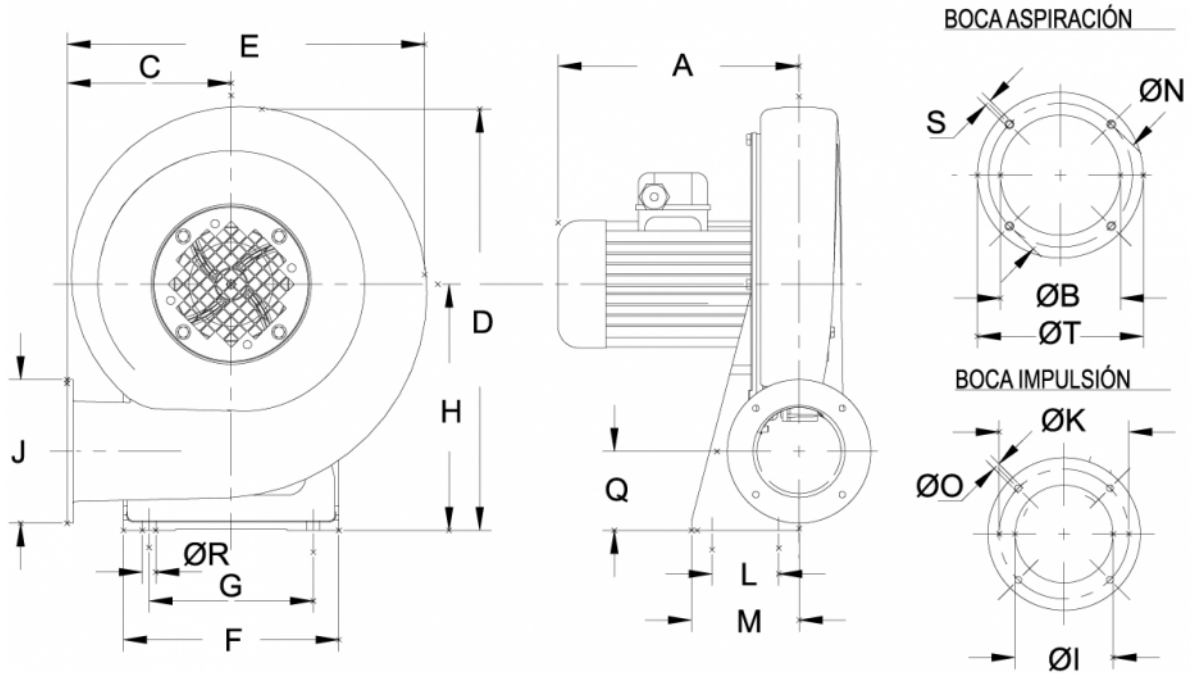
size

71

approx. weight

6.8 kg

DIMENSIONS DIAGRAM



Dimensions (mm)

A	250	BØ	125	C	168	D	440	E	368
F	220	G	170	H	260	I	100	J	155
KØ	129	L	80	M	120	NØ	147	OØ	6,2
Q	26	RØ	90	S	13	T	165	TØ	6

ACCESSORIES



SAFETY SWITCH
INT 6,5 1V
REF: FX452508



FLEXIBLE JOINT
JE 45
REF: 300719201



CONNECTION FLANGE
AC 130
REF: 960003203



COMPACT STAICASE PRESSURISATION KIT
Easy KPE SP 0,75kW
REF: 508800104



COMPACT STAICASE PRESSURISATION KIT
Easy KPE TP 0,75kW
REF: 508800344



FREQUENCY SPEED CONTROLLER
SFC M 0,75kW
REF: 960002522





FREQUENCY SPEED CONTROLLER
SFC T 0,55kW
REF: 960002526

SPARE PARTS

	code	family	model	RPM	Pitch grades
1	153403652	1 x TURBINE	MA27 P/R		
2	721001030	1 x MOTOR	3/4CV.3000 B14 230/400V		
3	153401771S	1 x CASING	MA27		
4	153401751S	1 x BASE SUPPORT MOTOR	MA27		



MA 28 T2 0,75kW P/R (300140600)

GENERAL DATA



MEDIUM PRESSURE FAN WITH STRAIGHT IMPELLER

MANUFACTURING FEATURES:

- Cast aluminium housing.
- Straight blade steel sheet or cast aluminium impellers.
- Epoxy powder coat finishing.
- Squirrel cage asynchronous standard motor, IP-55 protection and rated class F insulation. Standard voltages 230/400V 50Hz.
- Standard orientation: LG270.

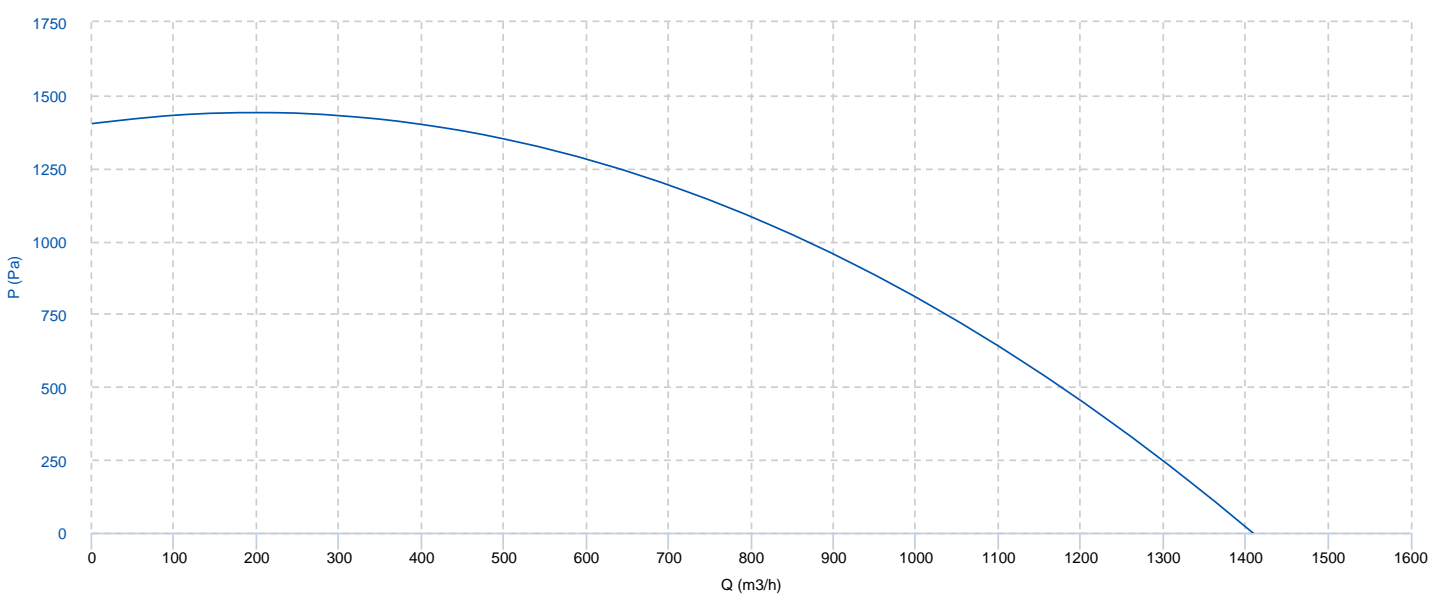
APPLICATIONS:

- Designed for inline installation, they are suitable for:
- Solid material transport (except for textile fibers).
 - Maximum working temperature: carried air: 130°C, ambient: 60°C.

UNDER REQUEST:

- 60Hz fans and special voltages.
- 2 speed motors.
- Orientation: LG0, LG90, LG180.

CHARACTERISCTIC CURVE



— Static pressure

TECHNICAL DATA

fan

RPM	2800	approx. weight	21 kg	max flow	1540 m ³ /h
-----	------	----------------	-------	----------	------------------------

motor

power	0.75 kW	motor rpm	2800	imax 230V	2,9 A
-------	---------	-----------	------	-----------	-------



imax 400V

1,67 A

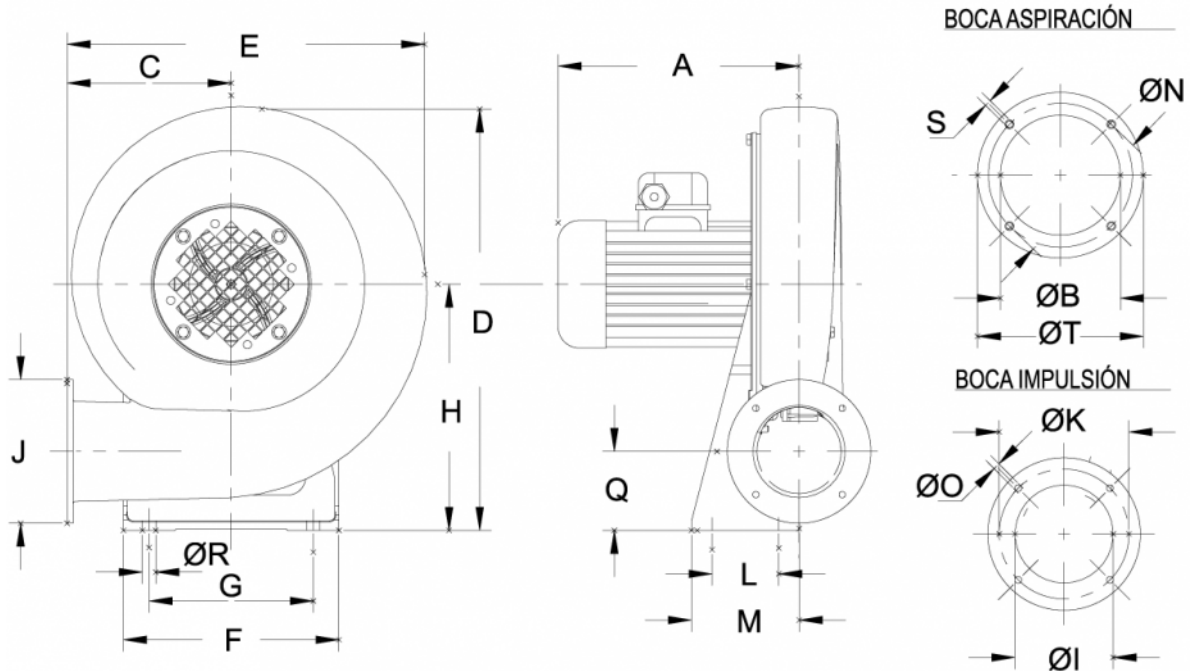
size

80

approx. weight

9.2 kg

DIMENSIONS DIAGRAM



Dimensions (mm)

A	275
F	230
KØ	160
Q	113

BØ	125
G	180
L	100
RØ	13

C	168
H	290
M	140
S	6

D	440
I	130
NØ	162
TØ	187

E	393
J	182
OØ	10,2

ACCESSORIES



SAFETY SWITCH
INT 6,5 1V
REF: FX452508



FLEXIBLE JOINT
JE 45
REF: 300719201



CONNECTION FLANGE
AC 130
REF: 960003203



COMPACT STAICASE PRESSURISATION KIT
Easy KPE SP 0,75kW
REF: 508800104



COMPACT STAICASE PRESSURISATION KIT
Easy KPE TP 0,75kW
REF: 508800344



FREQUENCY SPEED CONTROLLER
SFC M 0,75kW
REF: 960002522





FREQUENCY SPEED CONTROLLER
SFC T 1,1kW
REF: 960002528

SPARE PARTS

	code	family	model	RPM	Pitch grades
1	153503652	1 x TURBINE	MA28 P/R		
2	721001037	1 x MOTOR	0,75kW T2 B14 230/400V		
3	153501771S	1 x CASING	MA28		
4	153501751S	1 x BASE SUPPORT MOTOR	MA28		



MA 31 T2 1,5kW P/R (300032600)

GENERAL DATA



MEDIUM PRESSURE FAN WITH STRAIGHT IMPELLER

MANUFACTURING FEATURES:

- Cast aluminium housing.
- Straight blade steel sheet or cast aluminium impellers.
- Epoxy powder coat finishing.
- Squirrel cage asynchronous standard motor, IP-55 protection and rated class F insulation. Standard voltages 230/400V 50Hz.
- Standard orientation: LG270.

APPLICATIONS:

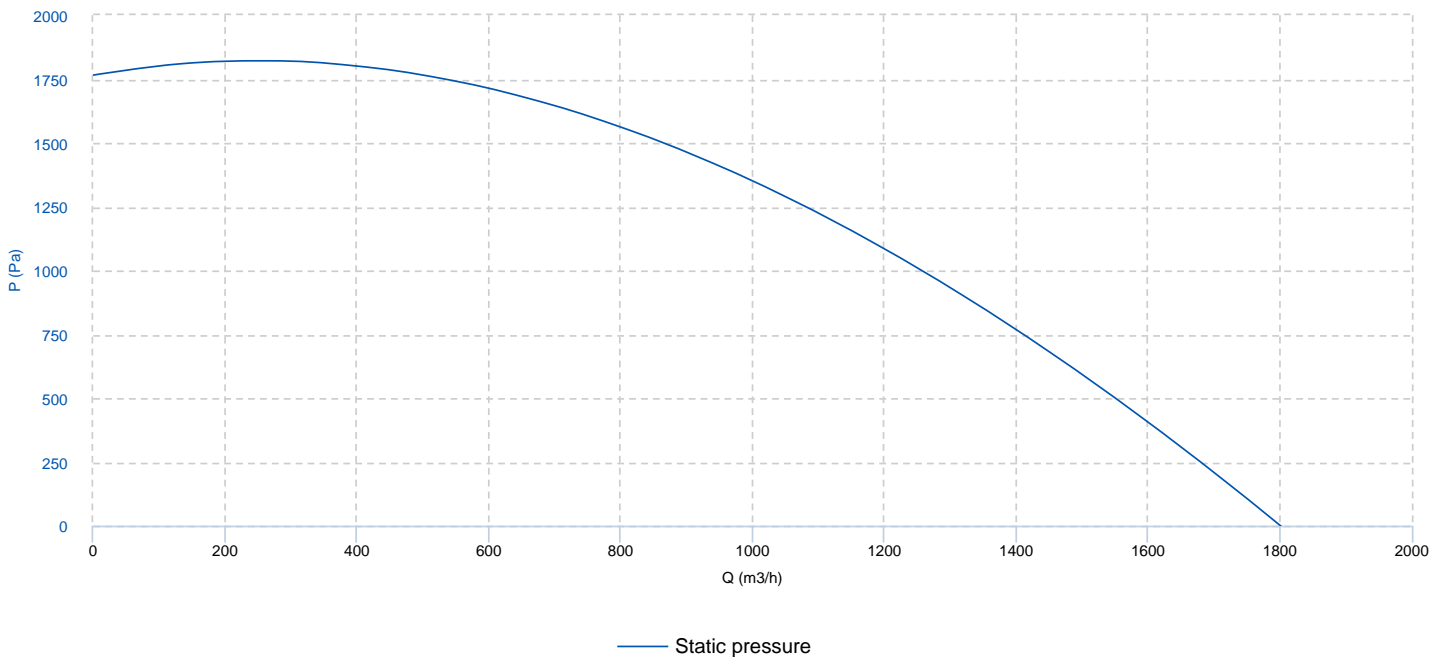
Designed for inline installation, they are suitable for:

- Solid material transport (except for textile fibers).
- Maximum working temperature: carried air: 130°C, ambient: 60°C.

UNDER REQUEST:

- 60Hz fans and special voltages.
- 2 speed motors.
- Orientation: LG0, LG90, LG180.

CHARACTERISCTIC CURVE



TECHNICAL DATA

fan

RPM	2800	approx. weight	25 kg	max flow	1980 m³/h
-----	------	----------------	-------	----------	-----------

motor

power	1.5 kW	motor rpm	2800	imax 230V	6.01 A
-------	--------	-----------	------	-----------	--------



imax 400V

3.48 A

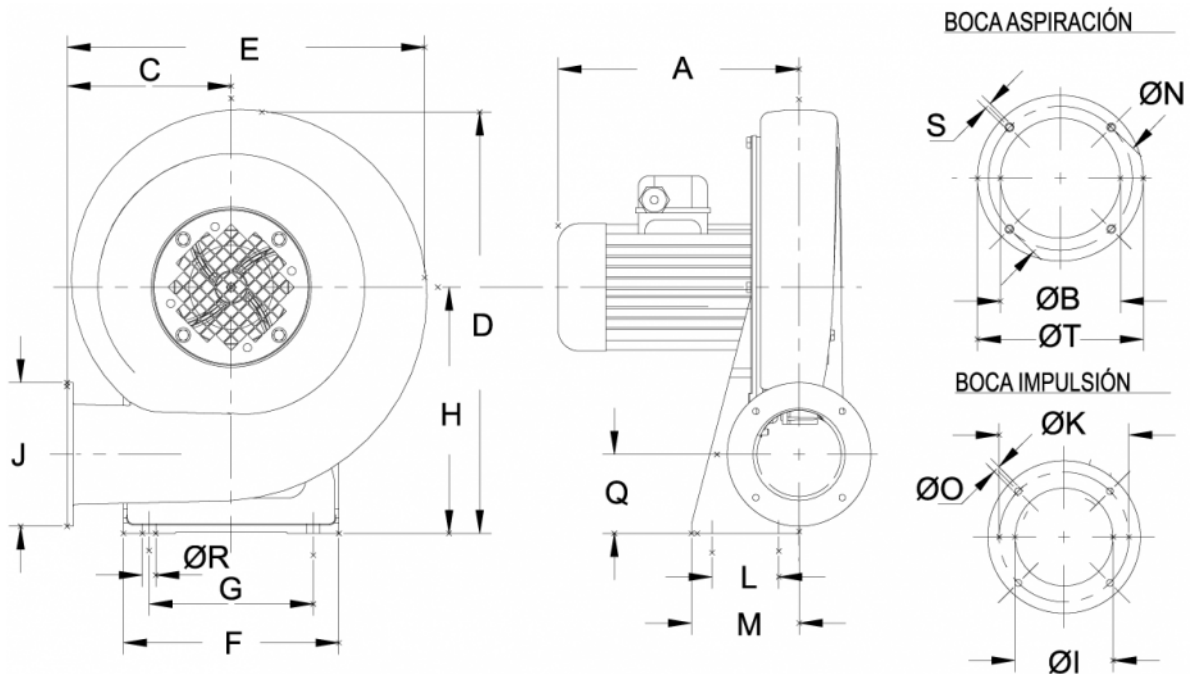
size

90S

approx. weight

15 kg

DIMENSIONS DIAGRAM



Dimensions (mm)

A	320	BØ	160	C	193	D	530	E	428
F	240	G	190	H	320	I	140	J	200
KØ	175	L	120	M	160	NØ	180	OØ	10,2
Q	18,5	RØ	120	S	13	T	215	TØ	6

ACCESSORIES



SAFETY SWITCH
INT 6,5 1V
REF: FX452508



FLEXIBLE JOINT
JE 45
REF: 300719201



CONNECTION FLANGE
AC 150
REF: 960003204



COMPACT STAICASE PRESSURISATION KIT
Easy KPE SP 1,5kW
REF: 508800106



COMPACT STAICASE PRESSURISATION KIT
Easy KPE TP 1,5kW
REF: 508800346



FREQUENCY SPEED CONTROLLER
SFC M 2,2kW
REF: 960002524





FRECUENCY SPEED CONTROLLER
SFC T 2,2kW
REF: 960002529

SPARE PARTS

	code	family	model	RPM	Pitch grades
1	153603652	1 x TURBINE	MA31 P/R		
2	721001047	1 x MOTOR	1,5KW T2 B5 230/400V		
3	153601771S	1 x CASING	MA31		
4	153601751S	1 x BASE SUPPORT MOTOR	MA31		

