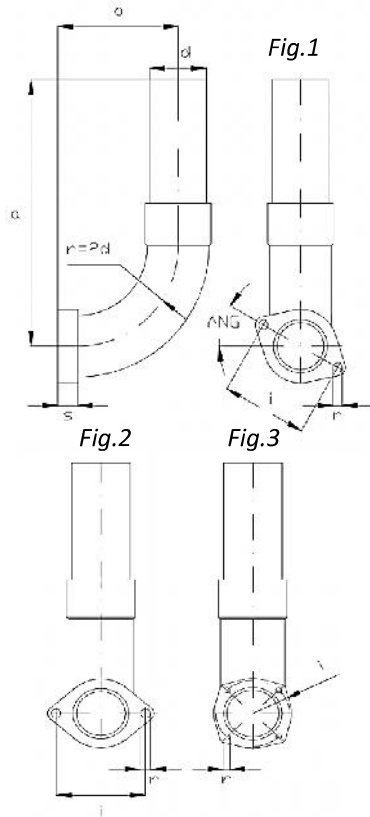


MANIFOLD CA for filters FA/FL

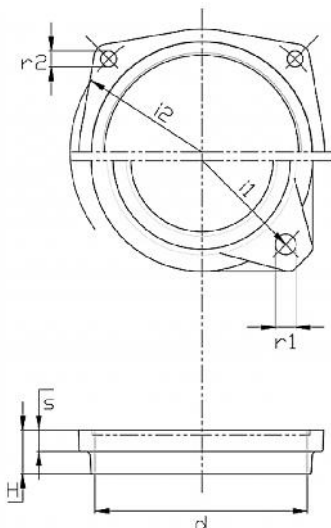
90° wide radius PVC manifold with flanged connection and unthreaded tube end. Working temperature $-20^{\circ} \div +40^{\circ}\text{C}$ ($-5^{\circ} \div +105^{\circ}\text{F}$).


DIMENSIONS (CA)

Type	d	a	b	d	s	i	r	ANG	Fig.	WEIGHT kg
CA 4	1" 1/4	220	90	42	15	75	7	30°	1	0,26
CA 4V	1" 1/4	220	90	42	15	64	7	-	2	0,26
CA 4K	1" 1/4	260	160	42	15	64	7	-	2	0,26
CA 5	1" 1/2	260	110	48	15	85	7	45°	1	0,43
CA 5V	1" 1/2	260	110	48	15	75	7	-	2	0,43
CA 5K	1" 1/2	300	180	48	15	75	7	-	2	0,43
CA 6	2"	320	135	60	15	85	7	45°	1	0,73
CA 6V	2"	320	135	60	15	85	7	-	2	0,73
CA 8	3"	380	185	88	15	120	7	-	3	1,60
CA 9	4"	400	235	113	20	150	9	-	3	3,10
CA 10	5"	450	300	140	20	210	18	-	3	5,88

THREADED FLANGE

Threadened flange in aluminum alloy.

DIMENSIONS (TF)


Type	d	H	i1	i2	r1	r2	s	WEIGHT kg
TF 3	1"G	18	55	-	6,5	-	10	0,05
TF 4	1" 1/4G	18	75	-	6,5	-	10	0,10
TF 4V	1" 1/4G	18	64	-	6,5	-	10	0,10
TF 5	1" 1/2G	18	85	-	6,5	-	10	0,10
TF 5V	1" 1/2G	18	75	-	6,5	-	10	0,10
TF 6	2"G	18	85	-	6,5	-	10	0,10
TF 8	3"G	25	-	120	-	6,5	13	0,20
TF 9	4"G	25	-	150	-	9	13	0,30
TF 10	5"G	35	-	210	-	17	13	0,77
TF 8NPT	3"N	25	-	120	-	6,5	13	0,20
TF 9 NPT	4"N	25	-	150	-	9	13	0,30
TF 10 NPT	5"N	35	-	210	-	17	13	0,77

FLANGE VK valve housing vrl

The VK accessory makes it possible to connect VRL valves directly on the cover of the series K blowers:

- SCL K-MS applicable in delivery and intake;
- SCL K-MD applicable only in intake;
- SCL K-TS applicable both in delivery and intake;
- SCL K-TD not applicable.

CHARACTERISTICS

Aluminium alloy flange with threaded connector.
 Supplied with installation kit (seal, screws, bolts and spanner).

DIMENSIONS (VK)

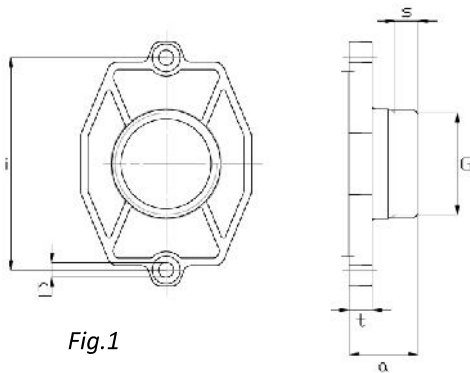


Fig.1

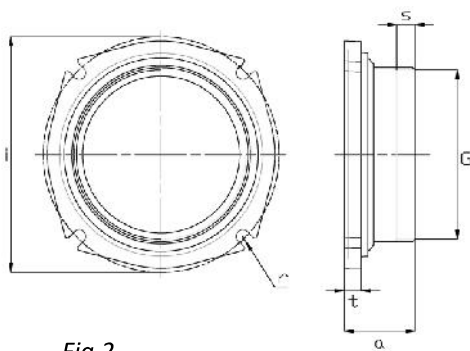
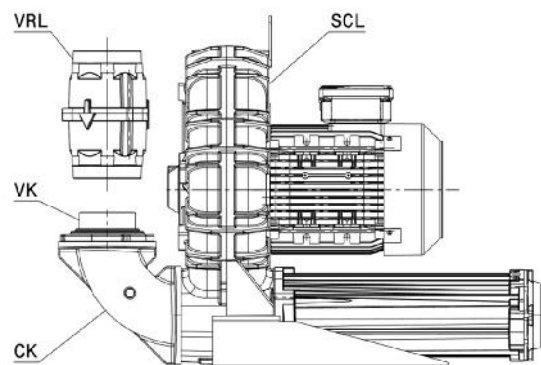
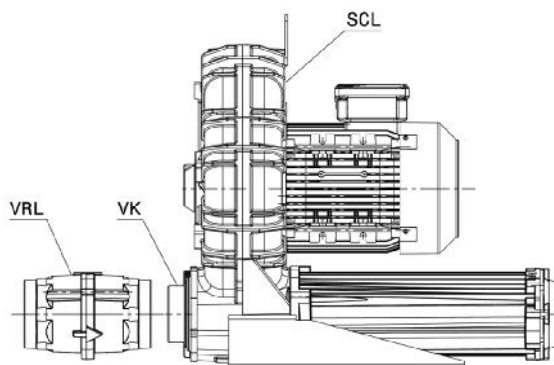


Fig.2

Type	Dn	G	a	i
VK 5G	1" 1/2G	1" 1/2G	30	92
VK 6G	2"G	2"G	50	110
VK 6AG	2"G	2"G	59,5	130
VK 8G	3"G	3"G	43	130
VK 9G	4"G	4"G	46	150
VK 5N	1" 1/2N	1" 1/2 N	30	92
VK 6N	2"N	2"N	50	110
VK 6AN	2"N	2"N	59,5	130
VK 8N	3"N	3"N	43	130
VK 9N	4"N	4"N	46	150

Type	r	s	t	Fig.	WEIGHT kg
VK 5G	6.5	10	10	1	0,09
VK 6G	8.5	12	10	1	0,09
VK 6AG	9	12	11	2	0,09
VK 8G	9	10	11	2	0,09
VK 9G	9	12	11	2	0,40
VK 5N	6.5	10	10	1	0,09
VK 6N	8.5	12	10	1	0,09
VK 6AN	9	12	11	2	0,09
VK 8N	9	10	11	2	0,09
VK 9N	9	12	11	2	0,40



MANIFOLD CK

90° aluminium manifold for "K" models supplied in a kit containing the gasket and bolts.

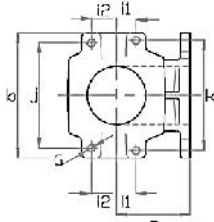
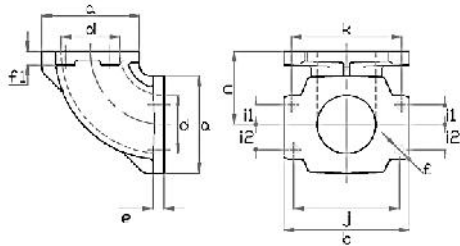


Fig.1



DIMENSIONS (CK)

Type	a	b	c	d	e	f1	f
CK 4	69	84.6	56	38	7	11.5	7
CK 5	80	100	56	43	7	11.5	7
CK 6	92	118	69	55	8.5	13	9
CK 8	145	145	109.5	75	10.5	-	9
CK 9	165	165	132.5	90	10.5	-	9
CK 10	220	220	192	128	10.5	-	9

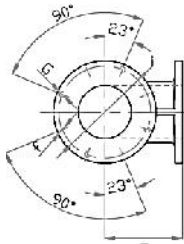
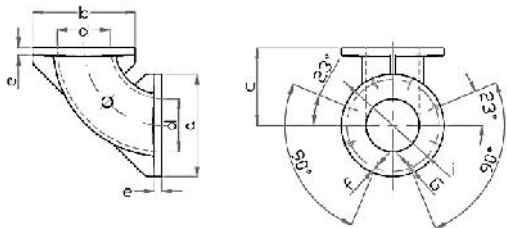


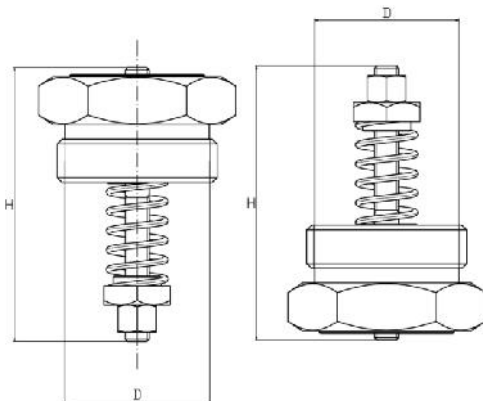
Fig.2



Type	G	i	i1	i2	j	k	Fig.	WEIGHT kg
CK 4	M6	-	14.5	14.5	70.2	70.2	1	0,36
CK 5	M6	-	17.6	17.6	85	85	1	0,68
CK 6	M8	-	18.3	23.8	99.4	104	1	0,68
CK 8	M8	130	-	-	-	-	2	1,37
CK 9	M8	150	-	-	-	-	2	1,80
CK 10	M8	190	-	-	-	-	2	4,10

VLA/RV

DIMENSIONS (VLA/RV)



Mod	SCL	DN	H	D	WEIGHT kg
RV 3	10 DL	1/2 "	57	1"G	0.07
VLA 3	15 DH 06	3/4 " 1"	57	1"G	0.07