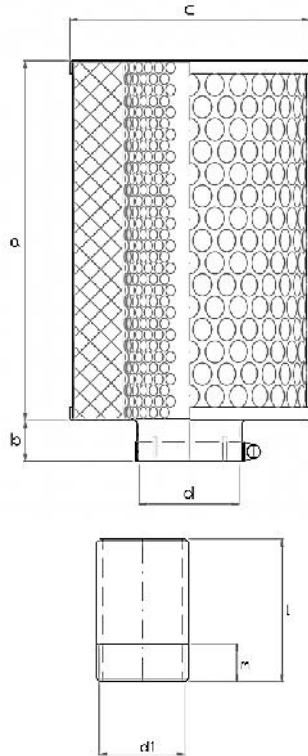


INTAKE FILTER FOR INDOOR USE FA

Treated paper filter with 25 µm rating. Complete with hose clamp connector. PVC connector available on demand.

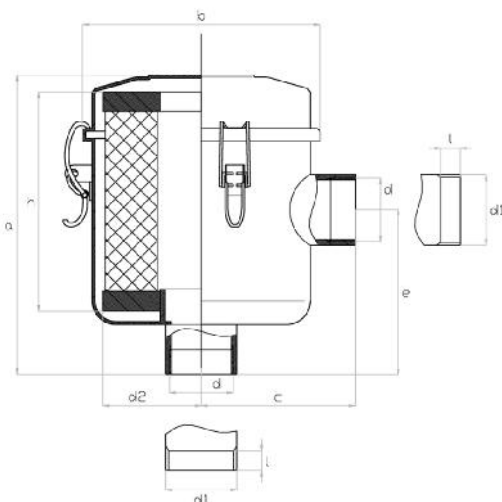

DIMENSIONS (FA)

| FILTER | Type | d1 | a | b | c | d | CAPACITY m ³ /h | WEIGHT kg |
|--------|-------|------|-----|----|-----|-----|-------------------------------|--------------|
| | FA 4 | 1" ¼ | 126 | 23 | 126 | 42 | 100 | 0,64 |
| | FA 5 | 1" ½ | 217 | 23 | 152 | 48 | 300 | 1,15 |
| | FA 6 | 2" | 217 | 23 | 152 | 60 | 400 | 0,96 |
| | FA 8 | 3" | 150 | 34 | 200 | 89 | 700 | 1,33 |
| | FA 9 | 4" | 160 | 38 | 257 | 114 | 1400 | 2,10 |
| | FA 10 | 5" | 160 | 38 | 257 | 140 | 2800 | 2,59 |

| CONNECTOR | Type | d1 | l | m | WEIGHT kg |
|-----------|-------|------|-----|----|--------------|
| | TR 4 | 1" ¼ | 200 | 15 | 0,10 |
| | TR 5 | 1" ½ | 200 | 15 | 0,21 |
| | TR 6 | 2" | 200 | 15 | 0,3 |
| | TR 8 | 3" | 200 | 15 | 0,45 |
| | TR 9 | 4" | 200 | 15 | 0,72 |
| | TR 10 | 5" | 200 | 35 | 1,25 |

INLINE CARTRIDGE AIR FILTER FV

Inline cartridge filter. Painted steel casing comes with threaded GAS connections. Treated paper filter rated at 25 µm

DIMENSIONS (FV)


| FILTER | Type | d | d1 | l | a | b | c | e | CAPACITY m ³ /h | WEIGHT kg |
|--------|-------|------|----|----|-----|-----|-----|-----|-------------------------------|--------------|
| | FV 5 | 1" ½ | - | - | 200 | 176 | 100 | 112 | 180 | 2,12 |
| | FV 6 | 2" | - | - | 258 | 200 | 111 | 131 | 280 | 4,60 |
| | FV 8 | 3" | - | - | 268 | 200 | 122 | 142 | 700 | 3,40 |
| | FV 10 | - | 5" | 40 | 730 | 470 | 265 | 495 | 2450 | 43,00 |

| CARTRIDGE | Type | FILTER | d2 | h | WEIGHT kg* |
|-----------|------|--------------|-----|-----|---------------|
| | CV 5 | FV 5 | 120 | 152 | 0,55 |
| | CV 6 | FV 6 FV 8 | 150 | 220 | 0,88 |
| | CV10 | FV 10 | 250 | 240 | 1,60 |

*Weights referred to paper cartridges

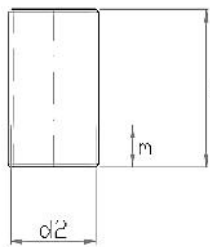
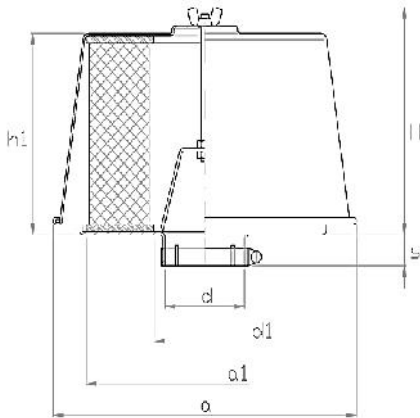
CARTRIDGE INTLET FILTER FL

Cartridge filter complete with painted steel casing to protect the cartridge from atmospheric conditions. Treated paper cartridge with 25 µm rating. Complete with hose clamp and PVC connectors.

Options

- Screen in stainless steel
- Filtrating element in polyester with filtration rate G
- CA manifolds or MP sleeves can also be used for easy FA/FL filter installation.
- Treated paper cartridge with filtration rate G (25 µm)

DIMENSIONS (FL)



| FILTER | Type | a | d | H | s | CAPACITY m ³ /h | WEIGHT kg |
|--------|-------|-----|-----|-----|----|-------------------------------|--------------|
| | FL 1 | 75 | 21 | 62 | 23 | 25 | 0,19 |
| | FL 2 | 150 | 27 | 105 | 23 | 85 | 0,62 |
| | FL 3 | 150 | 33 | 105 | 23 | 85 | 0,50 |
| | FL 4 | 150 | 42 | 105 | 23 | 85 | 0,85 |
| | FL 5 | 180 | 48 | 155 | 23 | 250 | 1,50 |
| | FL 6 | 230 | 60 | 155 | 23 | 400 | 1,90 |
| | FL 8 | 280 | 89 | 180 | 35 | 700 | 3,60 |
| | FL 9 | 410 | 114 | 330 | 35 | 1400 | 7,80 |
| | FL 10 | 410 | 140 | 330 | 35 | 2800 | 6,73 |

| CARTRIDGE | Type | FILTER | a1 | d1 | h1 | WEIGHT kg |
|-----------|------|--------|-----|-----|-----|--------------|
| | CF 1 | FL 1 | 55 | 25 | 50 | 0,04 |
| | CF 4 | FL 2 | 108 | 55 | 83 | 0,20 |
| | | FL 3 | | | | |
| | | FL 4 | | | | |
| | CF 5 | FL 5 | 147 | 80 | 135 | 0,45 |
| | CF 6 | FL 6 | 176 | 80 | 135 | 0,62 |
| | CF 8 | FL 8 | 225 | 100 | 150 | 1,07 |
| | CF 9 | FL 9 | 300 | 215 | 300 | 1,78 |
| | | FL 10 | | | | |

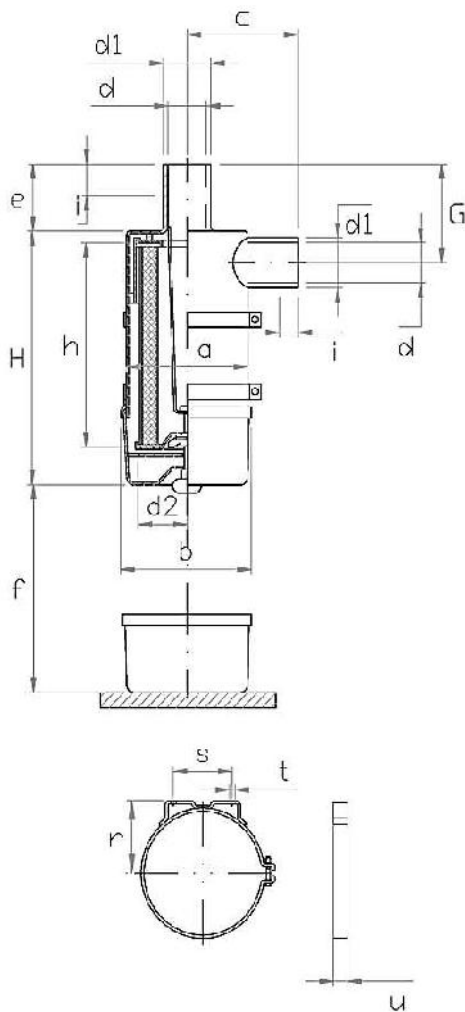
| CONNECTOR | Type | d2 | l | m | WEIGHT* kg |
|-----------|-------|--------|-----|----|---------------|
| | TR 1 | 1/2" | 100 | 15 | 0,02 |
| | TR 2 | 3/4" | 130 | 15 | 0,04 |
| | TR 3 | 1" | 130 | 15 | 0,06 |
| | TR 4 | 1" 1/4 | 200 | 15 | 0,13 |
| | TR 5 | 1" 1/2 | 200 | 15 | 0,45 |
| | TR 6 | 2" | 200 | 15 | 0,81 |
| | TR 8 | 3" | 200 | 15 | 1,26 |
| | TR 9 | 4" | 200 | 15 | 1,86 |
| | TR 10 | 5" | 200 | 35 | 1,50 |

*Weights referred to paper cartridges

INLINE CARTRIDGE CYCLONE FILTER FC

Inline cartridge filter. Unique filter design and finned plastic inserts produce an improved cyclonic effect, giving increased filter life. Treated paper filter element, rated at 25 µm, is housed in a painted steel casing with threaded GAS connections. FS hose are also available for use with FC filters.

DIMENSIONS (FC)



| FILTER | Type | d | d1 | a | b | c | e | f | G | H | i | CAPACITY m ³ /h | WEIGHT kg |
|--------|------|--------|-----|-----|-----|-----|-----|-----|-----|-----|-----|-------------------------------|--------------|
| | FC 5 | 1" 1/2 | 48 | 132 | 146 | 126 | 81 | 270 | 129 | 312 | 22 | 170 | 2,50 |
| FC 6 | 2" | 60 | 165 | 178 | 156 | 91 | 300 | 144 | 341 | 22 | 240 | 3,50 | |
| FC 8 | 3" | 88 | 203 | 220 | 157 | 102 | 400 | 172 | 453 | 22 | 440 | 1,07 | |
| FC 9 | 4" | 114 | 262 | 276 | 225 | 128 | 430 | 208 | 493 | 22 | 730 | 8,90 | |

| FLASK | Type | FILTER | r | s | t | u |
|-------|------|--------|-----|------|----|----|
| | FS 5 | FC 5 | 70 | 84 | 9 | 22 |
| FS 6 | FC 6 | 103 | 93 | 9 | 22 | |
| FS 8 | FC 8 | 122 | 112 | 9 | 25 | |
| FS 9 | FC 9 | 147 | 126 | 11,5 | 32 | |

| CARTRIDGE | Type | FILTER | d2 | h | WEIGHT* kg |
|-----------|------|--------|-----|------|---------------|
| | CL 5 | FC 5 | 104 | 264 | 0,45 |
| CL 6 | FC 6 | 134 | 290 | 0,81 | |
| CL 8 | FC 8 | 155 | 395 | 1,26 | |
| CL 9 | FC 9 | 202 | 421 | 1,86 | |

*Weights referred to paper cartridges