

Suomen



IMURIKESKUS

Eurovac pneumatic vacuum cleaners

Service and user manual



Suomen Imurikeskus Oy
Valtatie 23 1141
29630 Pomarkku

Puh. +358 (0)2 576 700
Fax. +358 (0)2 576 7010
www.suomenimurikeskus.fi
eurovac@suomenimurikeskus.fi

Krnro 346.703
ALV rek.
Y-tunnus / VAT FI0590849

This document consist all the knowledge you need for proper use of the device. Read this guide carefully before using the device and note the warnings.

Store this document carefully

This guide's content can be modified and changes can be made without notification .

Suomen Imurikeskus Oy
Valtatie 23 1141
29630 Pomarkku

Puh. +358 (0)2 576 700
Fax. +358 (0)2 576 7010
www.suomenimurikeskus.fi
eurovac@suomenimurikeskus.fi

Krnro 346.703
ALV rek.
Y-tunnus / VAT FI0590849

Sisällysluettelo

1. INTRODUCTION	4
1.1 Field of use.....	4
1.1 Knowing your device, Eurovac 53 pneumatic barrel vacuum cleaner	4
1.2 Knowing your device, Eurovac 53 pneumatic.....	5
1.3 Knowing your device, Eurovac 53 Trolley pneumatic	5
1.4 Knowing your device, Eurovac 53 small pneumatic.....	6
2. General safety instructions.....	7
2.1. Getting started	7
2.2 Using the device	7
3. Maintenance during use	7
3.1 Emptying the trash container	8
3.2 Filter maintenance	8
3.4 Common spare parts	9
4. Troubleshooting.....	9
5. Using cyclone separator	9
7. Warranty.....	10
8. Compatible standards.....	11

1. INTRODUCTION

Congratulations, you have bought yourself a good quality industrial vacuum cleaner. We hope it's going to serve you long, That's why we advise you to use and maintenance the device properly.

We ask you to read instructions carefully before use to make sure your industrial vacuum cleaner's good operation and safety. This guide suits all pneumatic powered Eurovac 53 industrial vacuum cleaners, unless stated otherwise. This guide doesn't suit electric powered Eurovac 53 industrial vacuum cleaners.

After receiving the device check, that device hasn't damaged in shipment, and all accessories are present. If something is missing, we advise you to report the device supplier immediately or at least in 8 days.

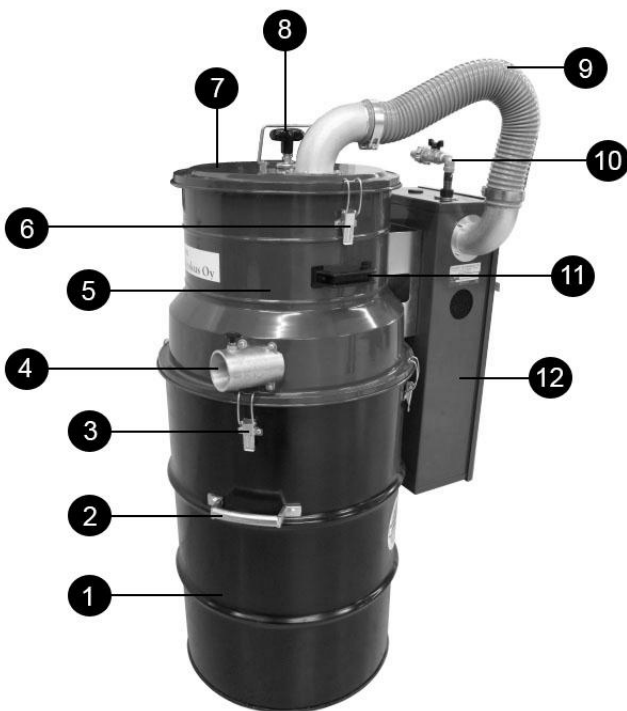
1.1 Field of use

Eurovac 53 industrial vacuum cleaners suit dry and wet trash. If dust is very fine or other way problematic, external cyclone separator can be used before vacuum cleaner, which prevent actual vacuum cleaner getting stuck, or protect vacuum cleaner from hot ash or glowing materials.

NOTICE! Device can be used to vacuum hot ash only when using cyclone separator.

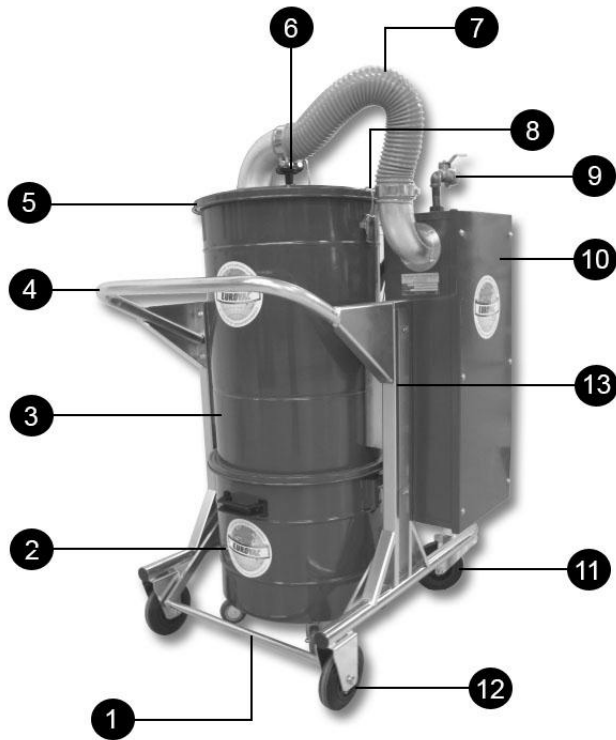
The use of pre-separator is in chapter 5

1.1 Knowing your device, Eurovac 53 pneumatic barrel vacuum cleaner



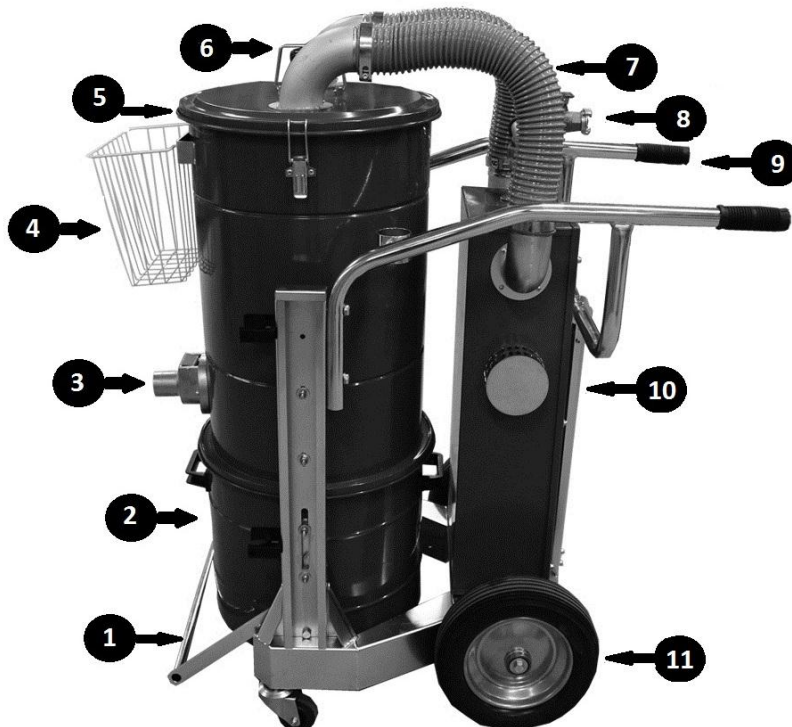
1. Barrel
2. Handle
3. Latch for the filter shaker
4. Suction connector
5. Filtering unit
6. Filter unit's locking latch
7. Filter unit cover
8. Filter shaker
9. Hose
10. Pneumatic air connector and tap
11. Filter unit handle
12. Suction unit

1.2 Knowing your device, Eurovac 53 pneumatic



1. Locking latch
2. Trash container
3. Filtering unit
4. Pushing handle
5. Filter unit's cover
6. Filter Shaker
7. Hose
8. Filter unit cover latch
9. Pneumatic air connector and tap
10. Suction unit
11. Wheel
12. Rotating wheel
13. Frame

1.3 Knowing your device, Eurovac 53 Trolley pneumatic



1. Lukituskahva
2. Roskasäiliö
3. Imuyhde
4. Tarvikekori
5. Suodatinyksikön kansi
6. Suodattimen ravistin
7. Letku
8. Suodatinyksikön kannen salpa
9. Paineilmaliitäntä ja hana
10. Imuysikkö
11. Rengas

1.4 Knowing your device, Eurovac 53 small pneumatic



1. Locking latch
2. Filter shaker
3. Pneumatic air connector and tap
4. Handle
5. Suction connector
6. Wheel
7. Trash container
8. Filter unit cover latch

2. General safety instructions

Please follow next safety instructions while using your Eurovac 53 industrial vacuum cleaner:

- Don't use vacuum-cleaner in places, which might have easily flammable gases or substances.
- Don't use vacuum cleaner to vacuum burning liquids, exploding substances or hot ash.
- Before upkeep operations, remove plug from power outlet.
- During vacuuming, be careful, that vacuum tube doesn't get close to sensitive areas of skin (eyes, mouth, ears).
- Don't vacuum in rain, or under splashing water

2.1. Getting started

Before use check:

- Connect the unit to air supply:
 - at least 6 bar/1800 l/min 1-ejector model.
 - at least 6 bar/3600 l/min 2-ejector model
- Check that pneumatic hose is intact and properly connected.
- Check, that vacuum-cleaners filter is in place, and its clean and in shape after former use. Also check, that filters rail is locked with clamping device placed in vacuum cleaner's lid..

2.2 Using the device

When you're starting the vacuum cleaner, open the tap. You can adjust the vacuum power by opening and closing the tap.

When you're vacuuming wet trash or fluids, check often enough that too much water doesn't accumulate in trash container, when it would get through filters to motors and break them.

NOTICE! Device must be stored in dry and preferably warm room.

NOTICE! When vacuuming hot ash, always use cyclone separator

Trash container's fulfillment must be observed time to time depending on vacuumed material.

3. Maintenance during use

Next chapters insist maintenance operations, which should be done often enough to ensure long life of vacuum unit.

If suction power weakens, clean filter by shaking from filter shaking rod and if necessary change it to new. Filter's integrity should be checked always when emptying the trash container.

NOTICE! Never use broken filter!

NOTICE! Remove pneumatic air hose before any maintenance or service

3.1 Emptying the trash container

Always remember to check time to time, that trash container hasn't overfilled. Eurovac 53 industrial vacuum cleaner's trash container's emptying depending on model is instructed next.

In Eurovac 53 and 53 Trolley the container is emptied by lifting trash container's holder handle upwards, when container detaches and is easy to empty. When you've emptied the container, set container to its place back to holder handle clamps and lock the container by pressing handle downwards.

In 53 barrel or 53 small remove the filter unit

NOTICE! Remove the air supply connected before emptying the trash container

Some models of Eurovac 53 industrial vacuum cleaner series is equipped with rod which can be used to lift vacuum cleaner with for example forklift.



3.2 Filter maintenance

Filter is cleaned by shaking from filter shaking rod or if filter is very dirty, by brushing, by blowing with pneumatic or by washing with mild water (40°C). When filter is clean, you acquire best vacuum power and save vacuum motors same time. Cleaning vacuum cleaner from dust and dirt extends vacuum motors life significantly.

NOTICE! Don't use filter which is wet after washing!

NOTICE! Make sure, that filter is set properly to its place

NOTICE! Check, that filter's shaking rod is locked to bottom with lock in vacuum cleaners up deck.



3.4 Common spare parts

Code	Part	more info
013069	Starfilter 53	
013070	Starfilter 53 teflon	optional
013094	Starfilter 53 small	
013096	Starfilter 53 small teflon	optional

4. Troubleshooting

Device won't turn on

- check that the tap is open,
- Check the pneumatic air supply:
 - at least 6 bar/1800 l/min 1-ejector model
 - at least 6 bar/3600 l/min 2-ejector model

There's dust / dirt in output air

- Filter might be broken
- Filter isn't in place

Weak vacuum power

- Check filter's cleanliness and integrity
- Check if vacuum tube is stuck

5. Using cyclone separator

When barrel-vacuum cleaner is equipped with second 200l container with cyclone separator lid deck, device works with pre separator principle.

When using cyclone separator, most of the dust accumulate to first barrel.



NOTICE! Glowing and burning and especially hot and burning material aren't recommended to vacuum mixed.

When you're vacuuming hot ash, vacuuming must be done in sequences to prevent vacuum tubes from melting. Vacuum ash for about 2 seconds, then give 10 seconds cool air outside ash space to vacuum cleaner.

NOTICE! Obey fire safety terms when operating with the device.

NOTICE! Notice order of tubes going to cyclone separator

7. Warranty

Suomen Imurikeskus Oy gives twelve (12) months warranty to this device with following terms. Warranty applies to material- and manufacturing flaws. Warranty might end if device is modified it changes owner or it's serviced in non-authorized service business.

WARRANTY TERMS

1. Warranty begins when device is delivered to customer and seller's ticket is enough for warranty certificate.
2. If device is serviced in warranty service, warranty won't extend. It begins when vacuum cleaner is delivered to customer and ends twelve (12) months later.
3. Warranty won't include following matters:
 - consuming parts, prickles, motor carbons, bearings, filter etc.
 - If device is used without following use- and install- instructions or filter.
 - Warranty won't include parts broken from lightning or over voltage.
 - transport-, install-, service-, etc. costs
 - reckless use, transport damages or other accident's caused damages.
 - wrong use or –install caused damages

8. Compatible standards

Common agreement terms are being followed unless there are other specific agreements. If device won't function as it's supposed to work, be in contact with seller or manufacturer.

Manufacturer: Suomen Imurikeskus Oy

Valtatie 23 1141

29630 Pomarkku

Puh. 02 5767 00

Fax. 02 5767010

www.suomenimurikeskus.fi

DECLARATION OF CONFORMITY:

WE

Suomen Imurikeskus Oy

Valtatie 23 1141

29630 Pomarkku

Assure you, that

Eurovac 53 industrial vacuum cleaner

Is designed and manufactured by following specifications :

Machine directive 89/392/EEC EN 292-1, EN 292-2

Low voltage directive 73/23/EEC EN 60 335-1

NOTE! Declaration of conformity isn't valid if:

Device has been modified without manufacturer's permission.

Device has been serviced with other than genuine spare parts