

Eurovac 53 Industrial vacuum cleaner

Use- and maintenance instructions



This document consist all the knowledge you need for proper use of the device. Read this guide carefully before using the device and note the warnings. Store this document carefully

This guide's content can be modified and changes can be made without notification.

Sisällysluettelo

1. Introduction.....	4
1.1 Knowing your device, basic model.....	4
1.2 Knowing your device, 53 trolley	5
1.3 Knowing your device Eurovac 53 bag vacuum cleaner	6
1.4 Knowing your device Eurovac 53 4800.....	7
1.5 Use features	7
Use of cyclone separator is detailed in chapter 6.1.6 General safety instructions	7
2. Getting started	8
2.1 Using the device	8
2.2 Using the device, model Eurovac 53 4800.....	9
3. Maintenance during use	9
3.1 Emptying the trash container	10
3.1.1 Longopac Bag Emptying and Replacement.....	10
3.2 Filter maintenance	11
3.3 Maintenance of cleaning kit	11
3.4 Regular spare parts	12
4. Troubleshooting.....	12
6. Using cyclone separator	13
7. Warranty.....	14
8. Compatible standards.....	15

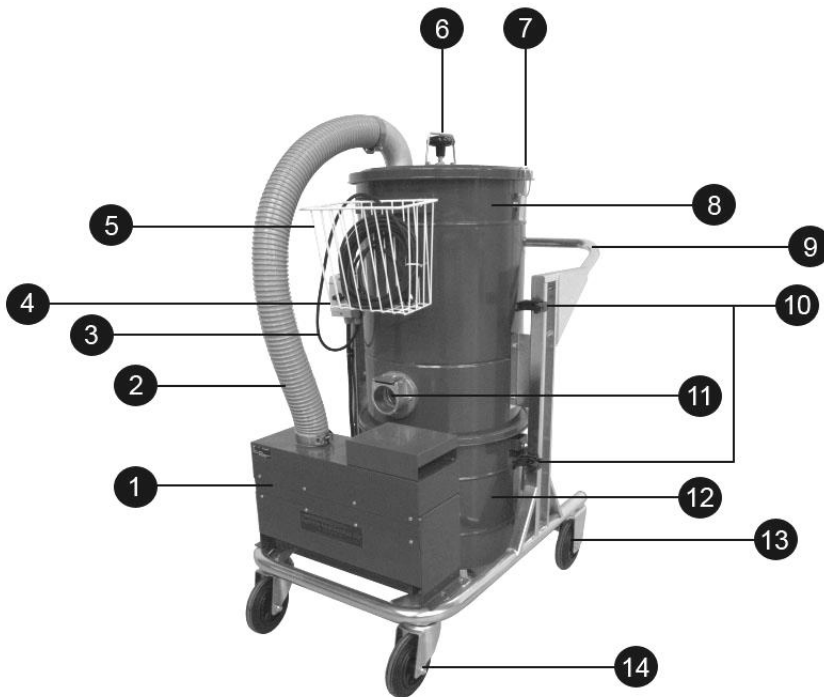
1. Introduction

Congratulations, you have bought yourself a good quality industrial vacuum cleaner. We hope it's going to serve you long, That's why we advice you to use and maintenance the device properly.

We ask you to read instructions carefully before use to make sure your industrial vacuum cleaner's good operation and safety. This guide suits all electric powered Eurovac 53 industrial vacuum cleaners, unless stated otherwise. This guide doesn't suit pneumatic powered Eurovac 53 industrial vacuum cleaners.

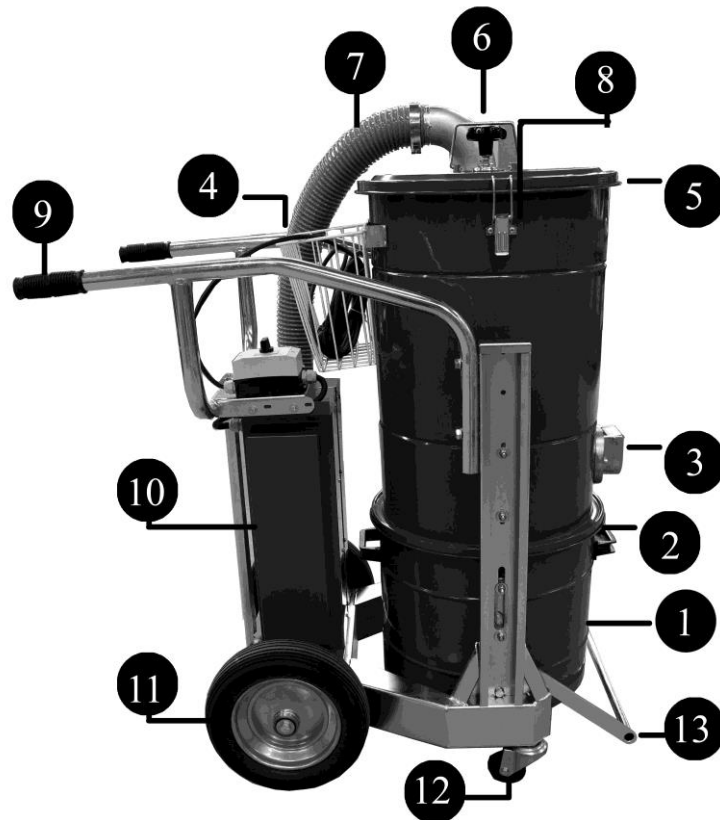
After receiving the device check, that device hasn't damaged in shipment, and all accessories are present. If something is missing, we advice you to report the device supplier immediately, or at least in 8 days.

1.1 Knowing your device, basic model



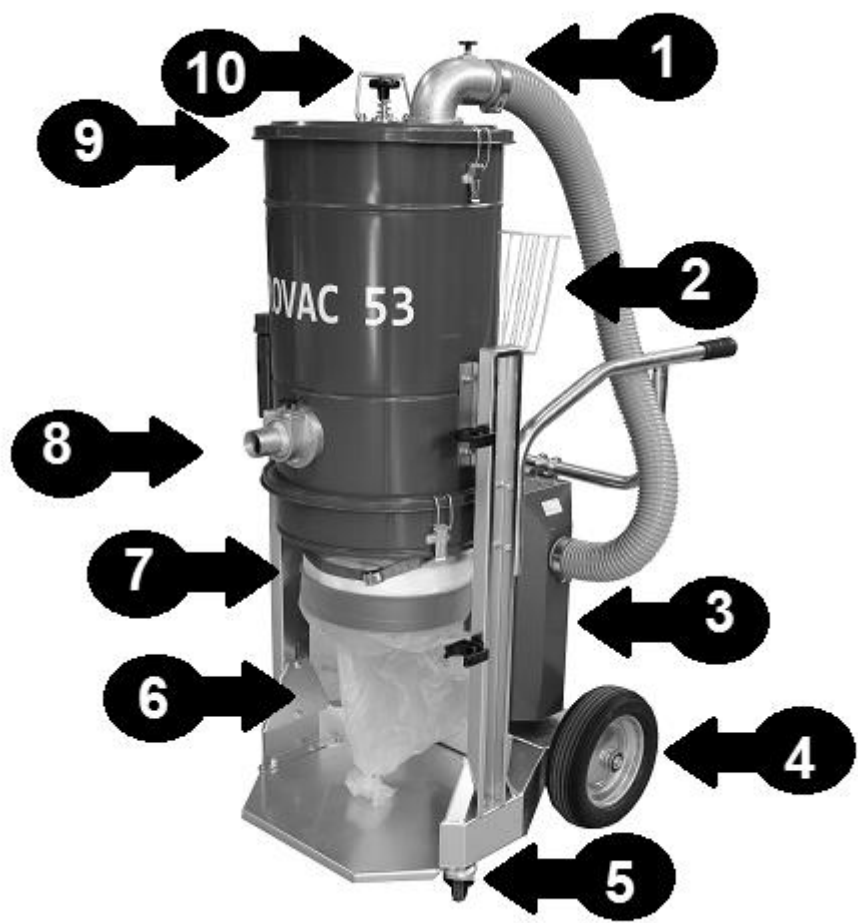
- | | |
|----------------------------------|---------------------------|
| 1. Electric unit | 8. Filter |
| 2. Tube | 9. Pushing handle |
| 3. Electric cable | 10. Cleaning kit holder |
| 4. Power switch | 11. Vacuum tube connector |
| 5. Accessory basket | 12. Trash container |
| 6. Filter shaking rod | 13. Wheel |
| 7. Filter unit's deck lock hatch | 14. Turning wheel |

1.2 Knowing your device, 53 trolley



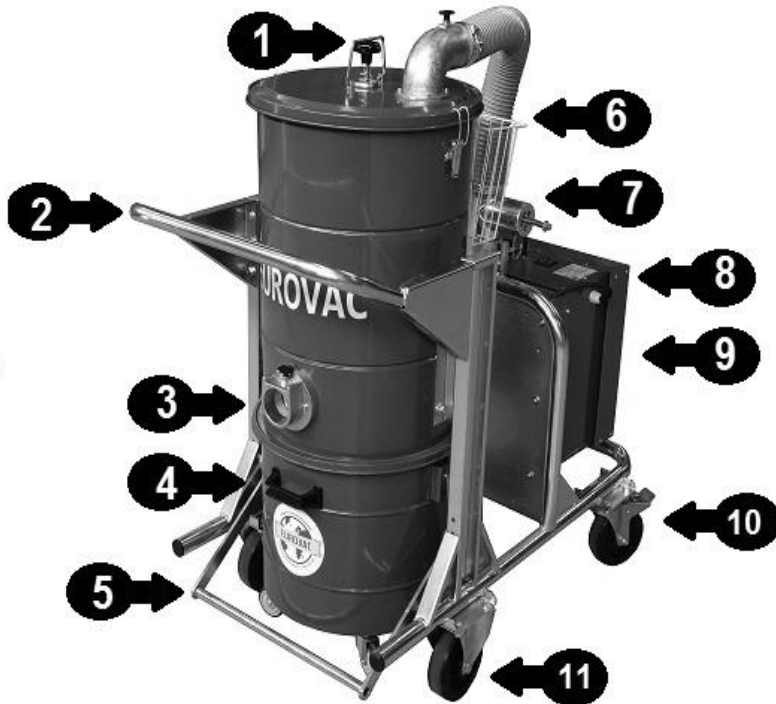
- | | |
|---------------------------|--------------------------------------|
| 1. Trash container | 8. Filtering unit's locking latch |
| 2. Trash container handle | 9. Handle |
| 3. Suction hose connector | 10. Suction unit |
| 4. Equipment basket | 11. Wheel |
| 5. Filter unit lid | 12. Rotating wheel |
| 6. Filter Shaking rod | 13. Trash container's emptying lever |
| 7. Hose | |

1.3 Knowing your device Eurovac 53 bag vacuum cleaner



- | | |
|-------------------------|-----------------------------|
| 1. Suction hose | 6. Longopack bag |
| 2. Accessory basket | 7. Bag holder and tightener |
| 3. Motor unit | 8. Suction hose connector |
| 4. Wheel | 9. Filter and cover |
| 5. Turning front wheels | 10. Shaker rod |

1.4 Knowing your device Eurovac 53 4800



- | | |
|--------------------------------|--|
| 1. Filter shaker rod | 6. Accessory basket |
| 2. Push handles | 7. Vacuum valve |
| 3. Suction hose connector | 8. Suction unit |
| 4. Waste container | 9. Hour meter, power switch, control connector |
| 5. Waste container release rod | 10. Turning wheel |
| | 11. Wheel |

1.5 Use features

Eurovac 53 industrial vacuum cleaners suit dry and wet trash. If dust is very fine or other way problematic, external cyclone separator can be used before vacuum cleaner, which prevent actual vacuum cleaner getting stuck, or protect vacuum cleaner from hot ash or glowing materials.

NOTICE! Device can be used to vacuum hot ash only when using cyclone separator.

NOTICE! Do not vacuum hot ash with the Eurovac 53 bag vacuum cleaner.

Use of cyclone separator is detailed in chapter 6.

1.6 General safety instructions

Please follow next safety instructions while using your Eurovac 53 industrial vacuum cleaner:

- Don't use vacuum-cleaner in places, which might have easily flammable gases or substances.
- Don't use vacuum cleaner to vacuum burning liquids, exploding substances or hot ash. (When vacuuming hot ash, use a separate cyclone separator container)
- The Eurovac 53 bag vacuum cleaner is not suitable for hot ash vacuuming, even if a pre-separator is used.
- Before upkeep operations, remove plug from power outlet.
- During vacuuming, be careful, that vacuum tube doesn't get close to sensitive areas of skin (eyes, mouth, ears).
- Don't vacuum in rain, or under splashing water.

2. Getting started

Before using the vacuum cleaner CHECK, that:

- Voltage you're going to use is same as the vacuum cleaner is needs (240V). Power plug must be safe grounded.
- The available voltage is 400 V / 16 A required by the Eurovac 53 4800 model.
- Power outlet, power plug and electric wire are intact.
- Check, that vacuum-cleaners filter is in place, and its clean and in shape after former use. Also check, that filters rail is locked with clamping device placed in vacuum cleaner's lid.

2.1 Using the device

When you're starting the vacuum cleaner, turn engines on one at the time, by turning switch first to 1 and then 2 position. When you're vacuuming wet trash or fluids, check often enough that too much water doesn't accumulate in trash container, when it would get through filters to motors and break them.

NOTICE! Device must be stored in dry and preferably warm room.

NOTICE! When vacuuming hot ash, always use cyclone separator

NOTICE! Device's noise level is 84 dB(A).

Trash container's fulfillment must be observed time to time depending on vacuumed material.



2.2 Using the device, model Eurovac 53 4800

Unlike other models, the Eurovac 53 4800 model requires a 16A / 400V fuse. The device is equipped with thermal protection. If the device overheats (over 80°C), it will automatically shut down and restart once it has cooled down.

The device is equipped with a replacement air valve placed in the suction connection, which provides the necessary replacement air when the suction is blocked.

NOTICE! The replacement air valve must not be separately adjusted or blocked.

The Eurovac 53 4800 model is equipped with remote start. When using the device as a central vacuum cleaner, the automatic control cable must be connected and the power switch set to position 1. In this case, the device will start from the vacuum socket.

The Eurovac 53 4800 model can be used as a regular industrial vacuum cleaner when the automatic control cable is not connected.



3. Maintenance during use

Next chapters insist maintenance operations, which should be done often enough to ensure long life of vacuum motors. If suction power weakens, clean filter by shaking from filter shaking rod and if necessary change it to new. Filter's integrity should be checked always when emptying the trash container.

NOTICE! Never use broken filter!

NOTICE! Remove electric cable from power outlet before maintenance operations.

3.1 Emptying the trash container

Always remember to check time to time, that trash container haven't overfilled. Eurovac 53 industrial vacuum cleaner's trash container's emptying depending on model is instructed next.

Container is emptied by lifting trash container's holder handle upwards, when container detaches and is easy to empty. When you've emptied the container, set container to it's place back to holder handle clamps and lock the container by pressing handle downwards.

NOTICE!! Always switch off the device before removing the trash container.

NOTICE! When vacuuming wet dirt or liquids, check frequently to ensure that the container does not accumulate too much liquid, which could pass through the filters into the motors and damage them.

Some models of Eurovac 53 industrial vacuum cleaner series is equipped with rod which can be used to lift vacuum cleaner with for example. forklift.



3.1.1 Longopac Bag Emptying and Replacement

1. Replacing the Bag

- Close the bag with a zip tie
- Attach another zip tie to form the bottom of the new bag
- Pull out a new bag from the roll

2. Replacing the Bag Roll

- Remove the tightening strap around the bag
- Remove the locking pin holding the bag holder from the inside
- Pull the bag holder down
- Place the new bag roll in the holder
- Put the holder back in place and secure the pin
- Pull the inside of the bag up so that the tightening strap can be reattached
- Pull a new bag from the roll and close it with a zip tie



3.2 Filter maintenance

Filter is cleaned by shaking from filter shaking rod or if filter is very dirty, by brushing, by blowing with pneumatic or by washing with mild water (40°C). When filter is clean, you acquire best vacuum power and save vacuum motors same time. Cleaning vacuum cleaner from dust and dirt extends vacuum motors life significantly.

NOTICE! Don't use filter which is wet after washing!

NOTICE! Make sure, that filter is set properly to its place

NOTICE! Check, that filter's shaking rod is locked to bottom with lock in vacuum cleaner's up deck.



3.3 Maintenance of cleaning kit

Also cleaning kit need cleaning time to time. Prickles can be cleaned by simply vacuuming using for example. slit nozzle.

3.4 Regular spare parts

Code	Description	Additional details
013069	Star filter 53	
013302	Star filter 53 tetratex	optional
015039	Vacuum motor's carbon	
034337	Twist switch with casing	53,53 trolley,53 bag vacuum cleaner
034007	Cam switch "0-1" 3-pole	53 4800
015004	Vacuum motor 1300 w model F	

4. Troubleshooting

Device won't turn on

- Check, that switch/switches are in position "1".
- Check, that electric cable is plugged (grounded, 230V)
- Check fuses 16 A

Device won't turn on, model Eurovac 53 4800

- Check that the switch is in position 1
- Check that the automatic control cable is connected
- Check that the power cord is connected (400 V / 16 A)

There's dust / dirt in output air

- Filter might be broken
- Filter isn't in place

Vacuum cleaner sounds weird

- Motor carbons are worn out
- bearings are worn out

Weak vacuum power

- Check filter's cleanliness and integrity
- Check if vacuum tube is stuck
- All motors aren't switched on

Fuse burns

- Check, that fuse is right and
- Take contact to manufacturer or seller

In problem situations, take contact to manufacturer or seller.

6. Using cyclone separator

When the vacuum is equipped with a pre-separator, it should be noted that the device operates on the pre-separator principle, whereby dust primarily collects in the first tank. For the proper functioning of the device, it is important to monitor the filling level of the tank to prevent dust/debris from reaching the main vacuum.

The container should always be emptied when it is half full to maintain optimal separation efficiency. It is not recommended to vacuum glowing, burning, or especially hot and burning materials with the pre-separator (e.g., a mix of ash and normal cleaning dust).

When vacuuming hot ash or glowing embers, vacuum intermittently to prevent the hoses from melting. In other words, vacuum ash for about 1-2 seconds, then allow the vacuum to draw in at least 5-10 seconds of cool replacement air through the hose from outside the ash area. The pre-separator must always be emptied after use.

NOTICE! It is not recommended to vacuum glowing, burning, or especially hot and burning materials with the pre-separator (e.g., a mix of ash and normal cleaning dust)



When you're vacuuming hot ash, vacuuming must be done in sequences to prevent vacuum tubes from melting. Vacuum ash for about 2 seconds, then give 6 seconds cool air outside ash space to vacuum cleaner.

NOTICE! Obey fire safety terms when operating with the device.

NOTICE! Notice order of tubes going to cyclone separator

7. Warranty

Suomen Imurikeskus Oy gives twelve (12) months warranty to this device with following terms. Warranty applies to material- and manufacturing flaws. Warranty might end if device is modified it changes owner or it's serviced in non-authorized service business.

WARRANTY TERMS

1. Warranty begins when device is delivered to customer and seller's ticket is enough for warranty certificate.
2. If device is serviced in warranty service, warranty won't extend. It begins when vacuum cleaner is delivered to customer and ends twelve (12) months later.
3. Warranty won't include following matters:
 - consuming parts, prickles, motor carbons, bearings, filter etc.
 - If device is used without following use- and install- instructions or filter.
 - Warranty won't include parts broken from lightning or over voltage.
 - transport-, install-, service-, etc. costs
 - reckless use, transport damages or other accident's caused damages.
 - wrong use or –install caused damages

8. Compatible standards

Common agreement terms are being followed unless there are other specific agreements. If device won't function as it's supposed to work, be in contact with seller or manufacturer.

Manufacturer: Suomen Imurikeskus Oy

Valtatie 23 1141

29630 Pomarkku

Puh. 02 5767 00

www.suomenimurikeskus.fi

DECLARATION OF CONFORMITY

WE

Suomen Imurikeskus Oy

Valtatie 23 1141

29630 Pomarkku

Assure you, that

Eurovac 53 industrial vacuum cleaner

Is designed and manufactured by following specifications:

Machine directive 2006/42/EY

Low voltage directive (LVD) 2014/35/EU

EMC directive 2014/30/EU

SFS-EN ISO 12100

SFS-EN 60204-1:2018

NOTE! Declaration of conformity isn't valid if:

Device has been modified without manufacturer's permission.

Device has been serviced with other than genuine spare parts